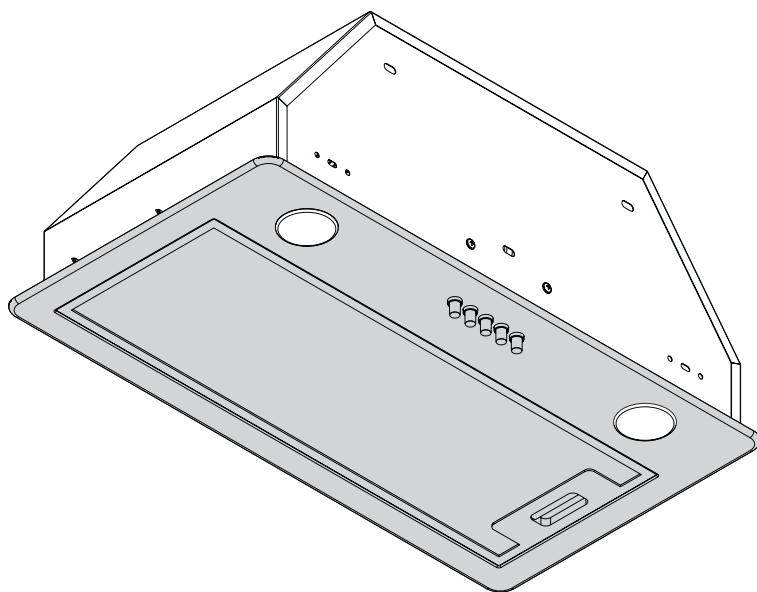


Assembly instructions

HOOD USER GUIDE
ENGLISH



DAVOLINE

INCASSO IX 52
INCASSO BL 52

Read this manual prior to performing any task!

IMPORTER

DAVOLINE KLIMATECHNIKI S.A.

35, MARÍNOU ANTÍPA, THESSALONIKI / GREECE

Internet: www.klimatechniki.gr

1, en_US

Table of contents

1	TECHNICAL DRAWING	4
2	WARNING AND SAFETY PRECAUTIONS	5
	2.1 LETHAL RISK, DANGER OF POISONING.....	7
3	USAGE WITH AND WITHOUT CARBON FILTER	11
4	Carbon Filter Replacement	12
5	CLEANING AND PREVENTIVE MAINTENANCE	13
	5.1 ALUMINIUM FILTER CLEANING.....	14
	5.2 Washing in Dishwasher.....	14
	5.3 Hand Wash.....	14
6	APPLIANCE POSITION	15
	6.1 INSTALLATION AND UNPACKING OF THE APPLI- ANCE.....	15
	6.2 AIR FILTERING OPTIONS.....	15
7	CONTENT OF PACKAGE	16
8	OVERVIEW OF HOOD	17
9	ASSEMBLY OF PRODUCT	18
10	USE OF PRODUCT	27
11	REPLACING THE LAMPS	28
12	AUTHORIZED SERVICE	29
	12.1 TECHNICAL TABLE.....	30

1 TECHNICAL DRAWING

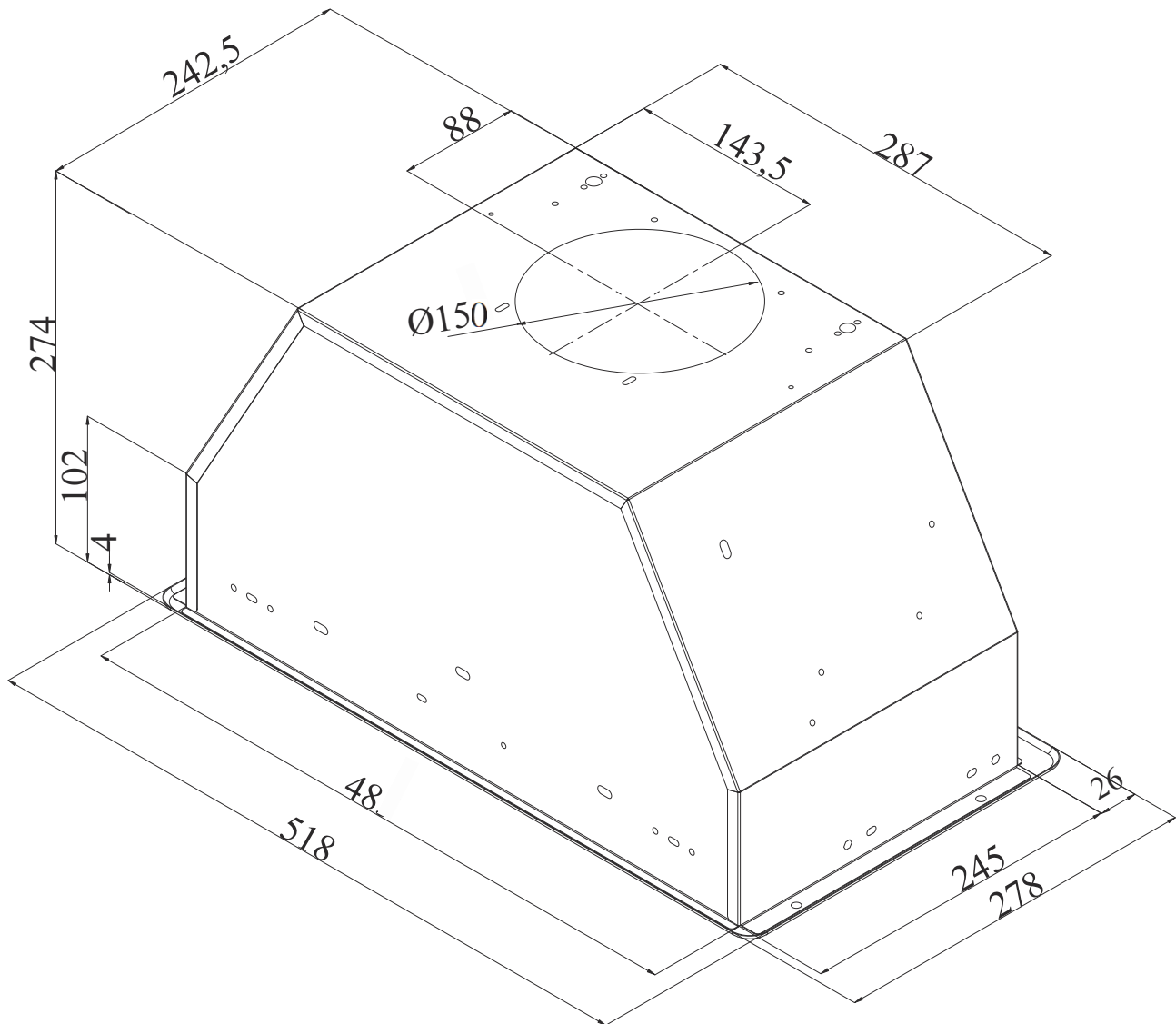


Fig. 1

2 WARNING AND SAFETY PRECAUTIONS

WARNING AND SAFETY PRECAUTIONS

- This appliance can be used by children of 8 years and older, people with physical, sensory or mental capability deficiency or people with lack of experience or knowledge; as long as they are provided supervision or instructions for the safe use of the appliance and they comprehend the dangers.
- Children should not tamper with the appliance. Cleaning and user maintenance operations must not be performed by children unless supervised.
- This product is designed for home use.
- Usage voltage of your product is 220-240 Volt~50-60 Hz.
- Power cord of your product is fitted with a grounded plug. This cord must be plugged into a grounded outlet.
- The whole electrical wiring must be installed by a qualified electrician.
- Installation by unauthorized persons could lead to poor operation performance, damage to the product, and accidents.
- Feeder cable of the appliance mustn't be exposed to jamming or crashing during assembly. Feeder cable mustn't be placed near the cooker. In such cases, it might melt down and lead to fire.
- Do not plug in the appliance before the installation.
- Make sure that the installation place allows the user to easily unplug the power cable in case of any danger.
- Do not touch your product's lamps when they work for a long time. The lamps may burn your hand as they will be hot.
- Kitchen hoods are manufactured for household use in normal home cooking. There is a risk of malfunction in other types of use, and the product guarantee will be void.
- Comply with the rules and instructions regarding discharge of outgoing air, stipulated by the relevant authorities. (This warning does not apply to uses without flue.)
- Flammable foods must not be cooked under the appliance.
- Start your product after you place pot, pan etc. on the stoves. Otherwise, high temperature may cause some parts of your products to deform.
- Turn off the cooker's burner before taking the saucepan, pan, etc. off the cooker.
- Do not leave boiling oil on the stove. Pots that contain boiling oil may catch fire by itself.
- Since oils could catch fire when you cook fried foods in particular, be careful about your curtains and tablecloths.
- Ensure timely replacement of the filters. Filters not replaced in a timely manner pose risk of fire due to accumulated grease deposits on them.
- Do not use non-fire-resistant filtering materials instead of the filter.
- Do not operate your product without filter, and do not remove the filters when the product is in operation.
- In case of any fire, de-energize the hood and any other cooking devices. (Plug off the appliance or turn off the main switch.)

- If your product's periodic cleaning is not made in a timely manner, it could pose risk of fire.
- De-energize the appliance before any maintenance operations. (Plug off the appliance or turn off the main switch.)
- When electric cooker hood and devices fed with energies other than electricity operate simultaneously, the negative pressure in the room must not exceed 4 Pa (4 X 10 bar).
- Gas or fuel oil burning appliances, such as room heaters, which share the same environment with your product, must be fully insulated from the exhaust of this product or they must be hermetical.
- When you make a flue connection for your product, use pipes with a diameter of 150mm or 120 mm. The length of the duct connection as well as the number of elbows must be as minimum as possible.
- Children must not play with the appliance.
- For your safety, use "MAX 6 A" fuse in the hood system.
- Since the packing materials could be dangerous, keep them away from children.
- If the feeder cable is damaged, it must be replaced by its manufacturer or its authorized technical service or any other personnel qualified at the same level, in order to avoid any dangerous situation.
- In case of any deflagration, de-energize the cooker hood and cooking appliances, and cover the flame. Never use water to extinguish the fire.
- When cooking appliances are in operation, their accessible parts could be hot.
- This appliance is not intended to be used by people with physical, sensory and mental disabilities (including children) or those who do not have adequate experience and knowledge regarding its use, unless they are under the supervision of a person responsible for the safety of the appliance.
- Output of the hood must not be connected to air ducts, where smoke from other sources could exist.
- You must be careful when using the appliance spontaneously with other appliances (e.g. gas, diesel fuels, coal, wood, etc. burning heaters, shower heaters), which use the same air in the same environment. Attention must be paid when using them simultaneously. It is because the hood could adversely affect the combustion, by discharging the ambient air.
- This warning does not apply to uses without flue.
- When electric cooker hood is used simultaneously with devices that use gas or other fuels, there must be sufficient ventilation in the room (might not apply to devices that discharges the air back into the room).

2.1 LETHAL RISK, DANGER OF POISONING



DANGER!

Warning - Choking Hazard

The packaging materials are dangerous for children. Never allow children to play with packaging materials.



DANGER!

Warning - Death Hazard

There are life-threatening danger and poisoning danger due to reabsorbed combustion gases. During the air discharge outlet use, unless sufficient air supply is provided, do not use the appliance simultaneously with devices that discharge toxic gases through flue such as ventilated, gas, oil, wood or coal burning heaters, shower heaters, water heaters, etc. Fig. 2

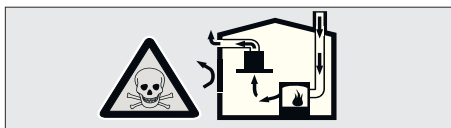


Fig. 2: Poisoning Danger

Ventilated goods (e.g. gas, oil, wood or coal burning heaters, shower heaters, water heaters) take combustion air from the installation location, and discharge the waste gas through a waste gas system (e.g. flue). When the cooker hood is active, it absorbs air from the kitchen and neighbouring rooms. If adequate air entry is not provided, vacuum emerges. In such a case, the toxic gases are absorbed from the flue and waste gas channel, and are taken into the door again. Fig. 2

- Therefore, adequate fresh air ingress must always be ensured. Fig. 3

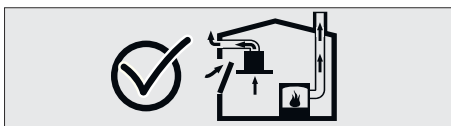


Fig. 3

**WARNING!****Fire danger!**

- The oil residue in the grease filter may catch fire. **Clean the grease filter at least once every 3 months.** Never operate the device without the grease filter .
- The oil residue in the grease filter may catch fire. Never work with open flame (ex. flambe) near the device. The apparatus is allowed to be installed near a solid fuel (e.g. wood or coal) heater only if it has a non-removable cover. No sparks should be scattered.
- Hot oils and fats catch fire easily. Hot oils and fats should never be left unattended. Never try to put out fire with water. Turn off the cooker. Kill the flames carefully using a cover, fire blanket or a similar material.
- Gas operated cookers that do not have a cooking pot on create high heat during operation. A ventilation device placed over the cookers can be damaged or burned for this reason. Operate gas cookers only when there is a cooking pot on them.
- Operating multiple gas cookers simultaneously creates high heat. A ventilation device placed over the cookers can be damaged or burned for this reason. Never operate two gas cookers longer than 15 minutes on high flame setting. A large burner over 5kW (Wok) has the power of two gas burners.

**WARNING!****Electrocution hazard!**

- A malfunctioning device may cause electric shock. Never turn on a malfunctioning device. Pull the power plug and switch off the circuit breaker. Call customer service.
- Unsuitable repairs pose hazards. Repairs and replacement of damaged power cords must be performed only by a customer services technician trained by us. If the device is malfunctioning pull the power plug and switch off the circuit breaker. Call customer service.
- Water leaking into the device may cause electric shock. High pressure or steam cleaners must not be used.

**DANGER!****Danger of physical injury!**

- During the installation, there is a danger of physical injury due to the sharp edges. Use protective gloves throughout the installation process of the appliance.
- Due to risk of dropping the appliance, assembly of all safety bolts and covers must be performed as specified in the user manual.
- Objects placed on the appliance may fall over. Do not place any objects on the device.
- LED lights are very bright and may damage eyes (Risk group 1). You must not look directly at running LED lights for longer than 100 seconds.

**WARNING!****Risk of burn, risk of electric shock!**

- Allow the appliance to cool before cleaning or maintenance process. Switch off the fuse or pull out the mains plug from the socket.
- There is risk of damage due to ingress of moisture in the electronics. Do not clean the control components with a wet cloth.
- The surface could be damaged due to a wrong cleaning process. Clean stainless steel surfaces only in their brushing direction. Do not use a stainless steel cleaner for the control elements.
- The surface could be damaged due to aggressive and abrasive cleaning agents. Never use aggressive and abrasive cleaning agents.

**WARNING!****Dangers of fire and physical injury!**

In case of repairing that is not performed according to the rules or as required, turn off the fuse or unplug the feeder cable of your appliance. Repairing must be performed only by the authorized technical service or authorized experts.

**NOTICE!**

If the appliance is faulty or damaged, turn off the fuse or unplug the feeder cable of your appliance and call the authorized service.

**NOTICE!**

If the feeder cable is damaged, it must be replaced by its manufacturer or its authorized technical service or any other personnel qualified at the same level, in order to avoid any dangerous situation.

**NOTICE!**

When the bulbs of the device malfunction, switch off the circuit breaker and unplug the device's power plug from the socket. Replace the defective bulbs immediately (leave bulbs to cool down first), in order to protect the remaining bulbs against overloading.

**CAUTION!**

Accessible components might be heated when used with cooking devices.

**DANGER!**

Air outlet pipe of this appliance mustn't be connected in the flue used to discharge the fume generated by devices that use gas or other fuels.

Damage reasons**CAUTION!**

Damage hazard due to corrosion. Always run the appliance to prevent condensate formation while cooking. Condensates may cause corrosion damage. Replace the malfunctioning lamp right away to prevent overloading of other lamps. Moisture intrusion in electronic parts poses a risk of damage. Never clean the control elements with a wet cloth. The surface could be damaged due to a wrong cleaning process. Clean stainless steel surfaces only in their brushing direction. Do not use a stainless steel cleaner for the control elements. The surface could be damaged due to aggressive and abrasive cleaning agents. Never use aggressive and abrasive cleaning agents. There is a risk of damage due to condensate liquid backflow. Install the air exit canal with a small downward inclination (1° inclination) from the appliance.

3 USAGE WITH AND WITHOUT CARBON FILTER



You can use this appliance in exhaust air mode and ventilated air mode.

Exhaust air mode

The absorbed air is cleaned by the grease filters, and is discharged through a piping system. Fig. 4

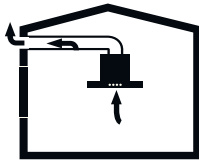


Fig. 4: Air Outlet without Carbon Filter



NOTICE!

Exhaust air must not be transferred to an active smoke or waste gas flue; or a flue used for ventilation of the places, where heat sources are installed.

- If you want to transfer exhaust air to an inactive smoke or waste gas flue, you need to obtain permission from an authorized chimney sweep.
- If exhaust air is discharged through the external wall, a telescopic wall safe must be used.

Ventilated air mode



Absorbed air is cleaned by the grease filters and an active carbon filter, and then it is transferred back to the kitchen. Fig. 5



Fig. 5: Air Circulation with Carbon Filter



You need to install an active carbon filter, in order to catch the substances, which cause stink in the circulating air. Consult your authorized dealer to know the different opportunities available for enabling the appliance to function in circulating air mode. You can buy the accessories required for this process from the relevant outlets, authorized technical service or online sales center.

4 Carbon Filter Replacement

CARBON FILTER

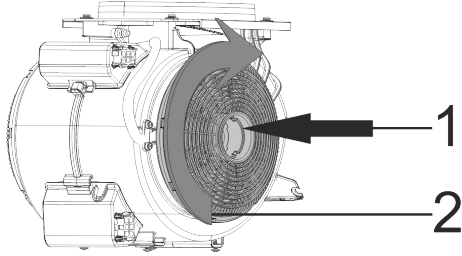


Fig. 6: CARBON FILTER

The appliance you have purchased is appropriate for use with carbon filters.

- 1-Place the carbon filter in its housing (Fig. 6).
- 2-Rotating the carbon filter clockwise, ensure that it is completely fit (Fig. 6).



If carbon filter does not fit in completely, it might drop and damage your product.



DANGER!

Never wash the carbon filters.

Keep carbon filters away from children.

5 CLEANING AND PREVENTIVE MAINTENANCE

**CAUTION!**

Cleaning and user maintenance should not be performed by children without supervision.

- The surface may be damaged due to sharp or abrasive cleaning materials. Never use sharp or abrasive cleaning materials. Obtain appropriate cleaning and protection materials for your device from authorized service. The device surface and control units are sensitive to scratching.
- Clean the surfaces with a soft, damp cloth, dishwashing detergent or a non-aggressive glass cleaning agent. Soften the dried and adhered dirt with a damp cloth. Do not scrape!
- It is not appropriate to use dry cloths, sponges that may scratch, materials that require scrubbing, sand, soda, acid or chlorine containing or other strong cleaning agents.
- Clean stainless steel surfaces only in the direction of the grinding.
- Do not use stainless steel cleaning agents and wet cloths for control units. Cleaning metal grease filters Used metal grease filters retain oily particles contained in the humidity and steam generated in the kitchen. Clean metal grease filters approximately every three months under normal use (1–2 hours per day).
- Do not use overly potent, acidic or alkaline cleaners.
- When cleaning metal grease filters, clean the retaining mechanisms of the metal grease filters inside the device with a damp cloth.
- You can clean metal grease filters in the dishwasher or by hand washing.
- Do not apply spray cleaning materials directly onto the product.
- Do not place flammable and/or heavy decorative items on the product.

5.1 ALUMINIUM FILTER CLEANING

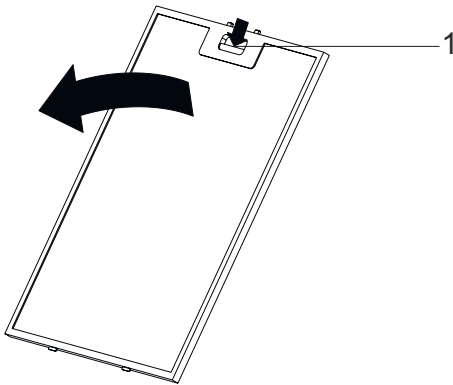


Fig. 7

1 Aluminium Filter Tab



Clean the aluminium grease filters periodically every 3 months.

- Press the aluminium filter tab (1) and pull the aluminium filter to the direction of the arrow (Fig. 7).
- As you remove the aluminium filter, hold it with your other hand to prevent it from dropping.
- As you remove the aluminium filter, in order to prevent the accumulated oil to drip, keep the filter surface parallel to the floor.

5.2 Washing in Dishwasher

In case of washing in the dishwasher, slight discolouration may occur. This has no effect on the function of the metal grease filter.

- Do not wash heavily contaminated metal grease filters with dishes.
- Place metal grease filters loosely or freely in the dishwasher. Metal grease filters should be placed in the dishwasher without being squeezed.

5.3 Hand Wash



For stubborn dirt, you can use a special degreasing agent. You can purchase this agent from an authorized sales center.

- *Soften the metal grease filters in hot water with dishwashing detergent.*
- *Use a brush for cleaning and wait for the liquids in the metal grease filters to drain thoroughly.*
- *Rinse the filters thoroughly after cleaning.*

6 APPLIANCE POSITION

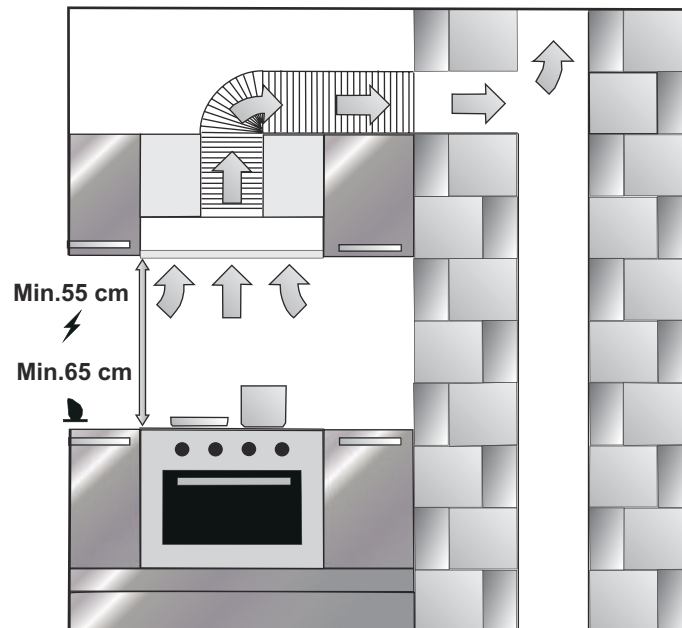


Fig. 8

After completing the installation of hood, the minimum distance must be 55 cm between the product and any electric cooker; and 65 cm between it and any gas ranges or cookers burning other fuels (Fig. 8).

6.1 INSTALLATION AND UNPACKING OF THE APPLIANCE

- Check that your appliance is not deformed.
- Report any transport issues immediately to transport operator.
- Any faults encountered shall be reported to the dealer, too.
- Do not allow children to play with the packaging materials!

6.2 AIR FILTERING OPTIONS

- Replace the carbon filters on a regular basis.
- Regularly clean your aluminium filters. Since dirty filters would block the air passage, you might have to use the appliance at a higher speed.
- Use your product according to its normal speeds.
- Use at higher speed would cause an increase in the energy consumption.

7 CONTENT OF PACKAGE

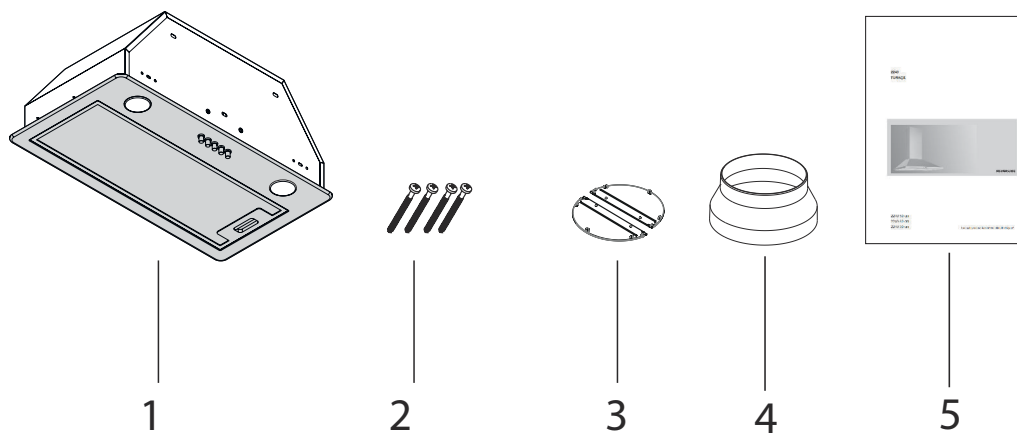


Fig. 9

- 1- Product
- 2- Hanger Screws
- 3- Flue Flap (Option)
- 4- Ø150/120 Flue Adapter (Option)
- 5- User Manual

8 OVERVIEW OF HOOD

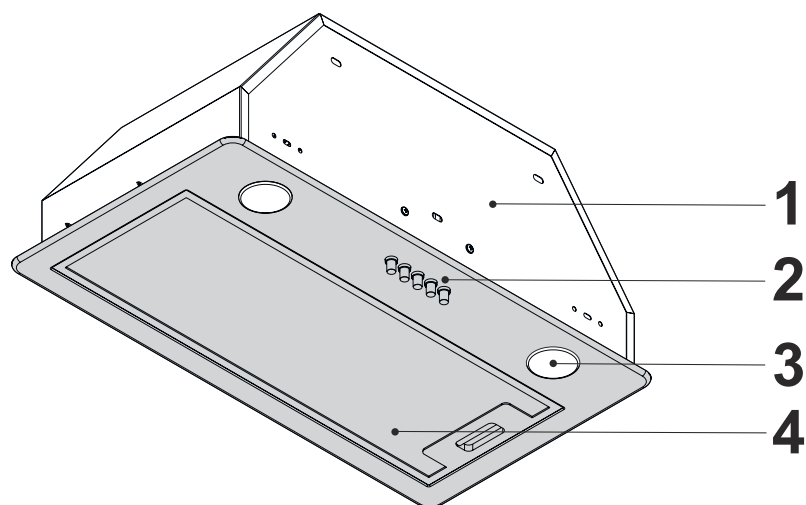


Fig. 10

- 1 - Body
- 2 - Control Panel
- 3 - Cooker Lighting
- 3 - Aluminium Filter

9 ASSEMBLY OF PRODUCT

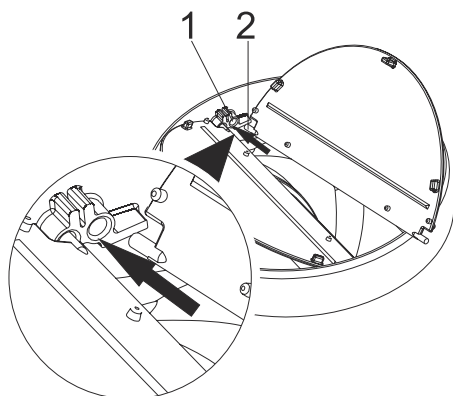


Fig. 11

- 1- Flap Pin Socket
- 2- Flap Pin

The device mounting accessories include two hood flaps Attach these flue flaps to the motor exhaust as seen below

- Insert the plastic pin (area no.2) on the pin socket on the motor exhaust (area no.1).Fig. 11(Fig. 11 Then bend the flap lightly to insert the other pin on the flap and insert the other pin to its socket (Fig. 11).



NOTICE!

When assembling the product; Assembly with 2 people will be healthy in terms of work accidents and your safety.

Product assembly

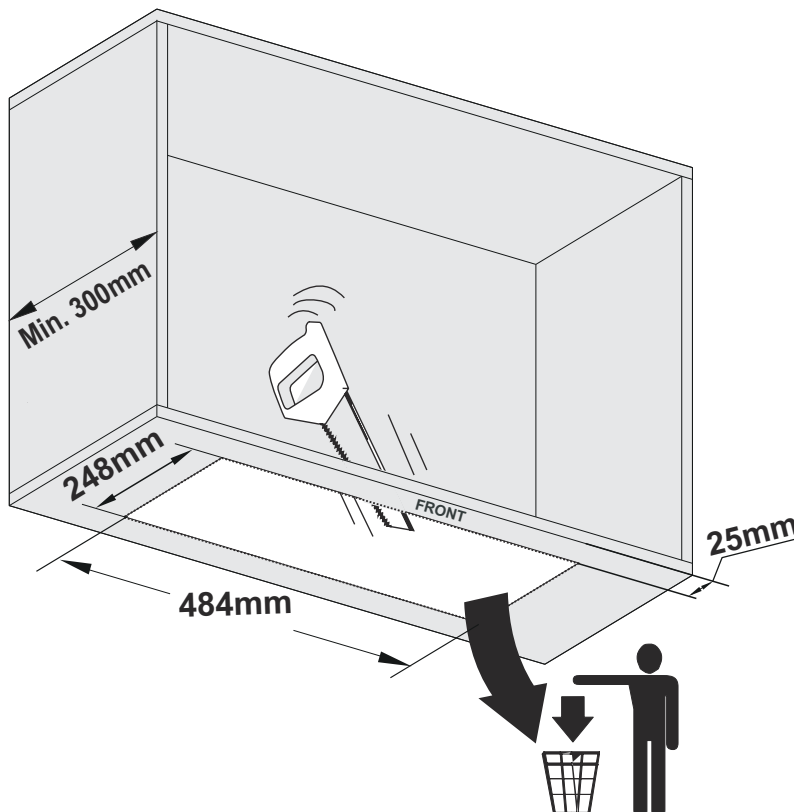


Fig. 12

1. ➔ The bottom of the cabinet where the hood will be installed Cut the surface according to these dimensions (Fig. 12).

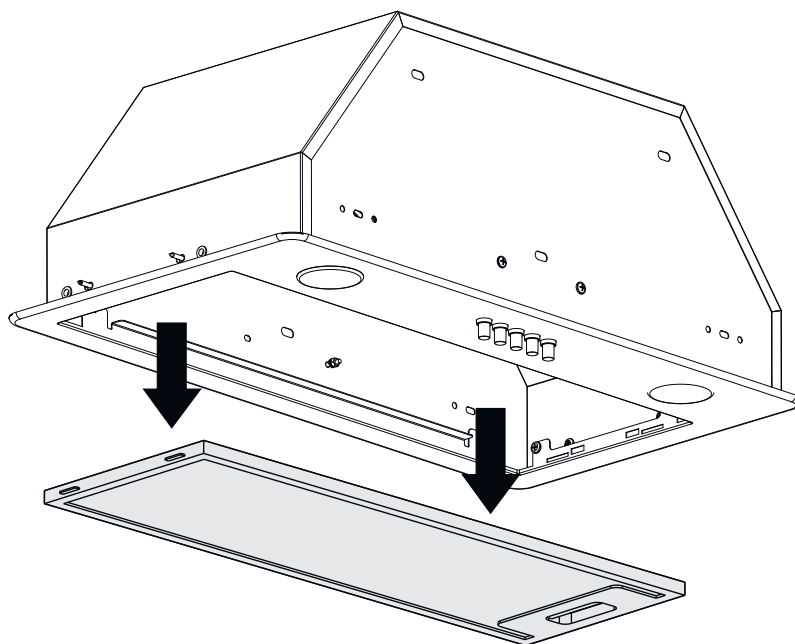


Fig. 13

2. → Unpack the device and place it in a suitable place; press the aluminum filter latch, pull it towards you and remove it (Fig. 13).

Option-1

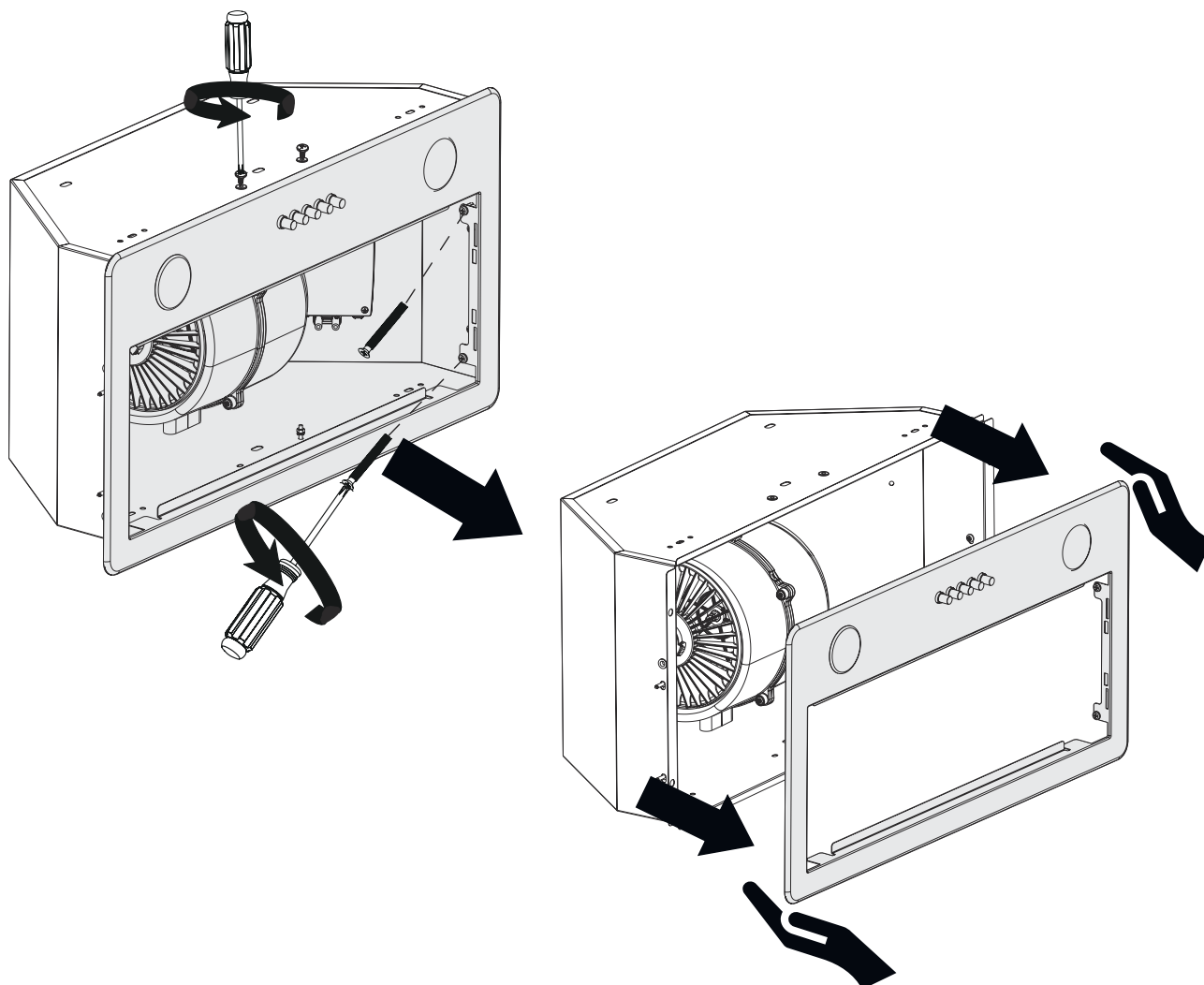


Fig. 14

3. Remove the 4 screws located on the right and left short sides of the hood (Fig. 14). After unscrewing the 2 head screws located on the housing, remove the glass by pulling it towards you (Fig. 14).



After removing the metal panel, please follow the following assembly steps for your safety:

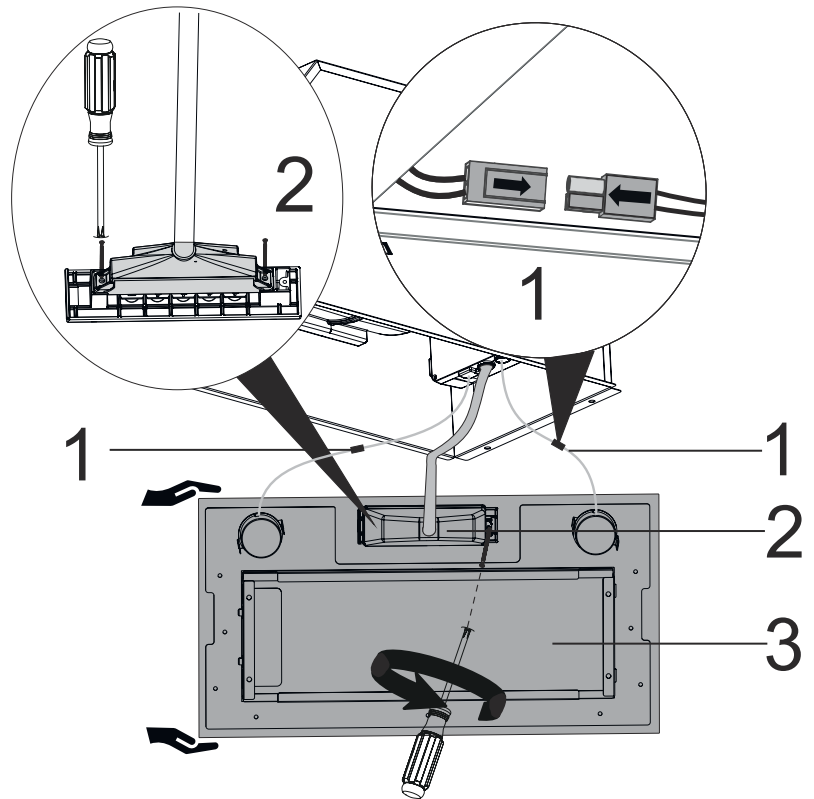


Fig. 15

- 1- Stove lamp base
- 2- Control panel switch
- 3- Case glass

4. →



DANGER!

While disconnecting the connectors, hold the glass with one hand.

- 1 – To remove the stovetop light, disconnect the lamp base (Fig. 15), connected to your device.
- 2 – To remove the control panel key, unscrew 1 screw from the key cover, open the key cover, then unscrew 2 screws from the key (Fig. 15)
- 3 – Case glass



Place the metal panel in a safe place to prevent it from breaking or getting scratched.

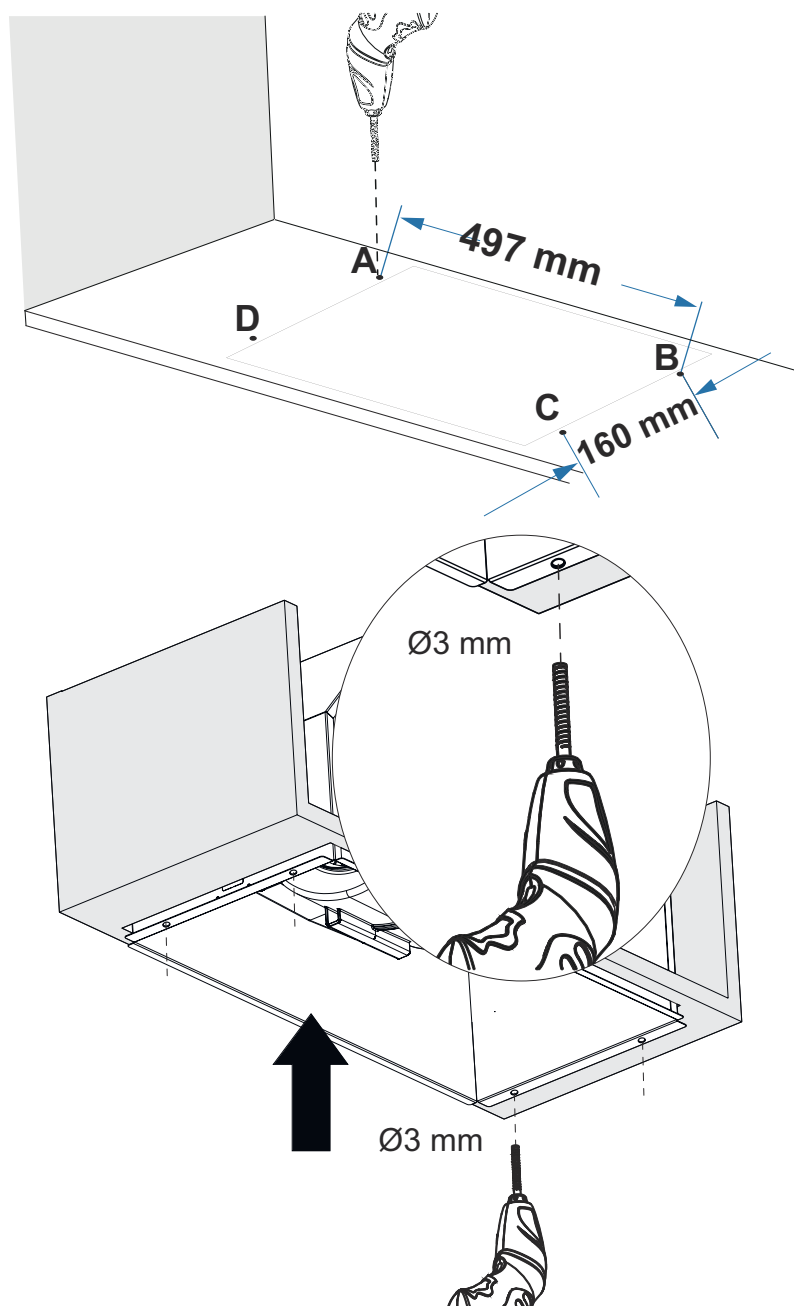


Fig. 16

5. After cutting out the area for installing the device, drill Ø3mm holes at the points marked A, B, C, D according to the dimensions given. (Fig. 16).

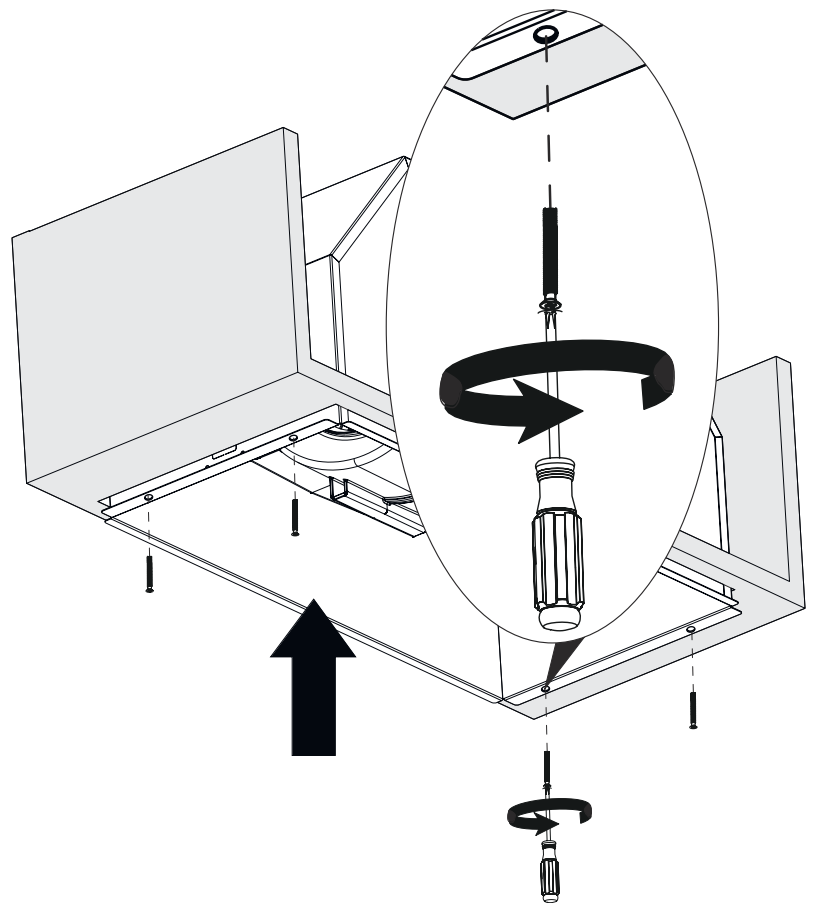


Fig. 17

- 6.** → After drilling the mounting holes with a $\varnothing 3$ mm drill, secure the product with 4 mounting screws. (Fig. 17).

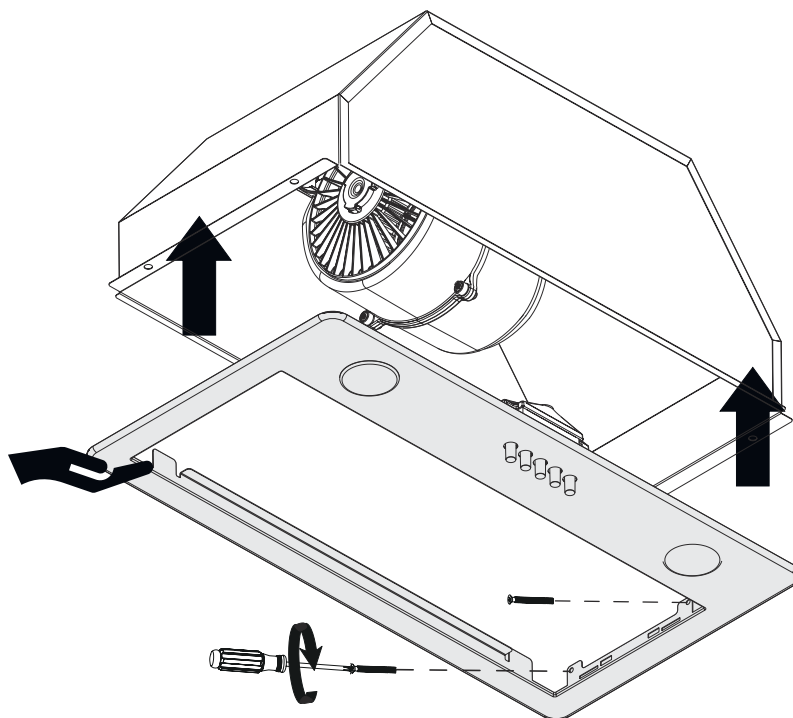


Fig. 18

7. → ■ After installing the hood into the kitchen cabinet, hold the glass with one hand and connect the connectors of the stove lighting lamps and the control panel switch in reverse order.(Fig. 18).
- Insert the glass so that it fits into the grooves on the housing, holding it with one hand; insert the glass mounting screws and tighten them (Fig. 18).

Option-2

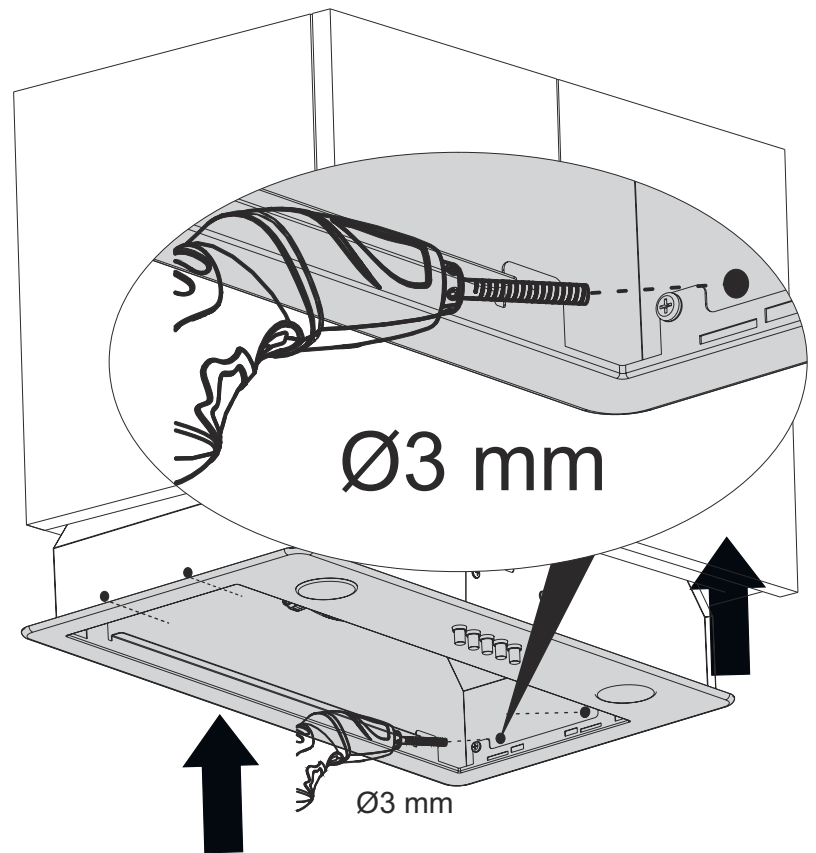


Fig. 19

8. → After cutting out the place where the product will be mounted, install the hood on the kitchen cabinet and drill the mounting holes with a Ø3 mm drill. (Fig. 19).

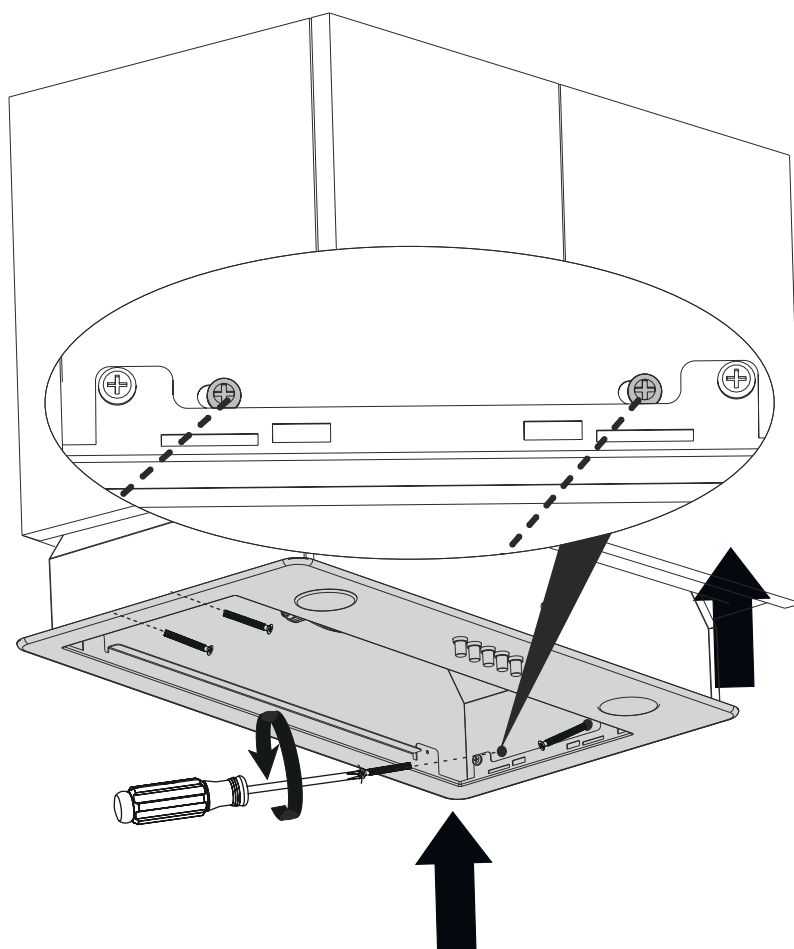


Fig. 20

9. After drilling the mounting holes with a $\varnothing 3$ mm drill, secure the product with 4 mounting screws. (Fig. 20).



Attach one end of the aluminum pipe to the hood's air outlet. Connect the other end of the aluminum pipe to the kitchen chimney, ensuring both connections are tight enough to prevent them from coming loose while the hood is running at maximum speed. Since bends and turns in the aluminum pipe reduce suction power, avoid using them if possible.

10 USE OF PRODUCT

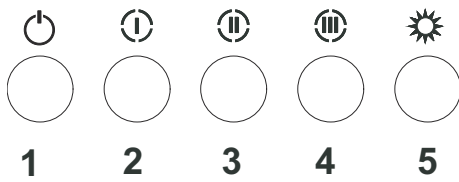


Fig. 21: push button

- 1.** ➤ Press this button to reset your product.
- 2.** ➤ Product will run on 1st speed level when this button is pressed.
- 3.** ➤ Product will run on 2nd speed level when this button is pressed.
- 4.** ➤ Product will run on 3rd speed level when this button is pressed.
- 5.** ➤ Press this button to turn on and off the lamp.

11 REPLACING THE LAMPS

If the lamp of the device malfunctions, contact your dealer or customer service.

Bulb Power (W)	1.5
Lamp base / Socket	Socket
Bulb Voltage (V)	220 - 240
Size (mm)	46x46mm
Energy Class	G

12 AUTHORIZED SERVICE

If Lighting is Not Functioning:

- Make sure that the plug is plugged in, and that the fuses are intact.
- Check the bulbs. Make sure you unplugged the device before performing this check. Tighten the bulbs if they are loose; you can replace the bulbs if they still don't work.

Possible Faults and Things that You can do Before Calling Technical Service:

A) If the device does not run in any way:

- Check to see if the hood is plugged in or if the plug fits properly into the socket.
- Check the fuse, to which the appliance is connected, as well as the main fuse of your house.

If the device performance is not enough and it creates high noise while running:

- Is the outlet diameter of the appliance's flue adequate? (min. 120 mm).
- Are the metal filters clean? Please check.
- If you use the hood without flue, make sure that the carbon filters are not older than 6 months.
- Be attentive to ventilate your kitchen adequately, in order to provide an airflow. If you are still not satisfied with the performance of the appliance, consult the authorized technical service.

Troubleshooting

Fault description	Cause	Remedy
Product Does Not Work	Check the power connection.	Mains voltage must be 220-240 V, and product must be plugged into a grounded socket.
Illumination lamp does not operate	Check the power connection.	Mains voltage must be 220-240 V, and product must be plugged into a grounded socket.
Illumination lamp does not operate	Check the lamp switch.	Lamp switch must be at "on" position.
Illumination lamp does not operate	Check the bulbs.	Bulbs must be operative.
Product's Air Intake is Weak	Check The Aluminium Filter.	The aluminium cartridge filter should be washed once a month under normal conditions.
Product's Air Intake is Weak	Check The Air Outlet Flue.	Air Outlet Flue Must Be Open.
Product's Air Intake is Weak	Check The Carbon Filter.	In products that work with carbon filters, carbon filter must be replaced once in every 3 months under normal conditions.

Fault description	Cause	Remedy
It Does Not Discharge Air (in flueless use)	Check The Aluminium Filter.	The aluminium cartridge filter should be washed once a month under normal conditions.
It Does Not Discharge Air (in flueless use)	Check The Carbon Filter.	In products that work with carbon filters, carbon filter must be replaced once in every 3 months under normal conditions.

12.1 TECHNICAL TABLE

Supply Voltage	220-240V~ 50Hz
Insulation Class of Motor	F
Insulation Class	CLASS I



This product complies with the 2014/30/EC (Regulation on Electromagnetic Compliance) and 2014/35/EC (Regulation on Low Voltage Devices (LVD)) Directives.

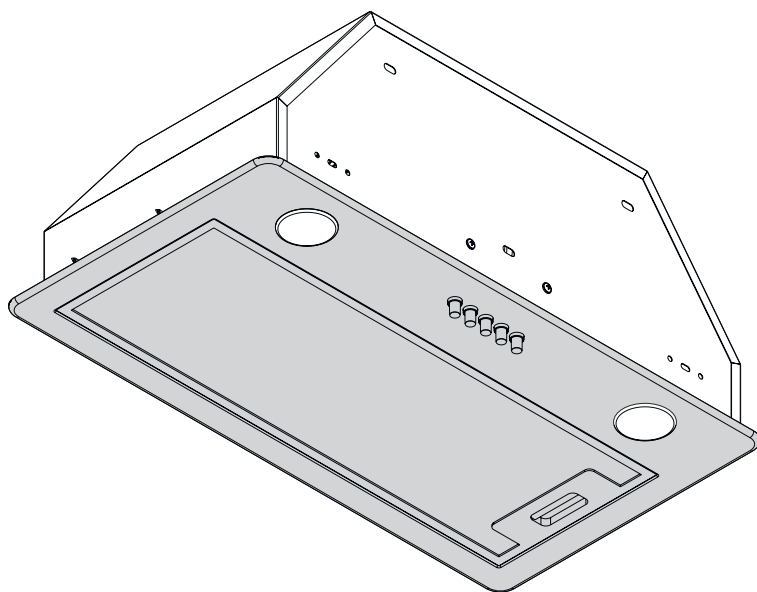


This device complies with the Directive on the Control of Waste Electrical and Electronic Equipment.

Specifications of the device and this manual may be modified without prior notification.

Οδηγίες συναρμολόγησης/τοποθέ- τησης

ΟΔΗΓΙΕΣ ΧΡΗΣΗΣ ΑΠΟΡΡΟΦΗΤΗΡΑ
ΕΛΛΗΝΙΚΑ



DAVOLINE

INCASSO IX 52
INCASSO BL 52

Πριν από την έναρξη όλων των εργασιών διαβάστε τις
οδηγίες!

ΕΙΣΑΓΩΓΕΑΣ

DAVOLINE KLIMATECHNIKI S.A.

35, ΜΑΡΙΝΟΥ ΑΝΤΙΠΑ, ΘΕΣΣΑΛΟΝΙΚΗ / GREECE

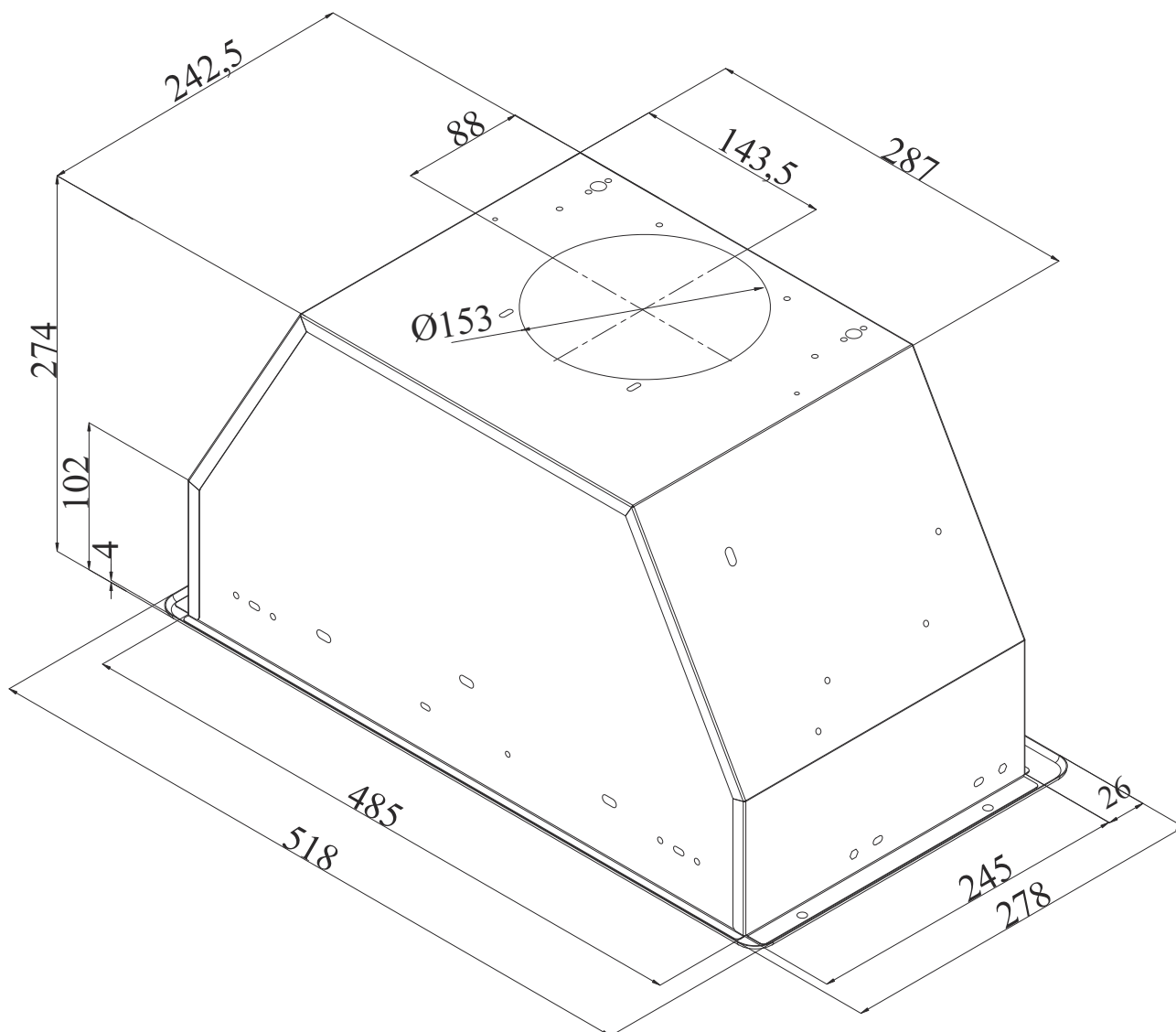
Internet: www.klimatechniki.gr

1, el_GR

Περιεχόμενα

1	Τεχνικό Σχέδιο.....	4
2	ΠΡΟΕΙΔΟΠΟΙΗΣΕΙΣ ΚΑΙ ΜΕΤΡΑ ΑΣΦΑΛΕΙΑΣ.....	5
	2.1 ΚΙΝΔΥΝΟΣ ΘΑΝΑΤΟΥ - ΚΙΝΔΥΝΟΣ ΔΗΛΗΤΗΡΙΑΣΗΣ	7
3	ΧΡΗΣΗ ΜΕ Ή ΧΩΡΙΣ ΦΙΛΤΡΟ ΑΝΘΡΑΚΑ.....	12
4	Αντικατάσταση φίλτρου άνθρακα.....	13
5	ΚΑΘΑΡΙΣΜΟΣ ΚΑΙ ΠΡΟΛΗΠΤΙΚΗ ΣΥΝΤΗΡΗΣΗ.....	14
	5.1 ΚΑΘΑΡΙΣΜΟΣ ΦΙΛΤΡΩΝ ΑΛΟΥΜΙΝΙΟΥ.....	15
	5.2 Πλύσιμο σε πλυντήριο πιάτων.....	15
	5.3 Πλύσιμο με το χέρι.....	15
6	ΤΟΠΟΘΕΤΗΣΗ ΤΗΣ ΣΥΣΚΕΥΗΣ.....	16
	6.1 Εγκατάσταση και αποσυσκευασία.....	16
	6.2 Υποδείξεις για Εξοικονόμηση ενέργειας.....	16
7	ΠΕΡΙΕΧΟΜΕΝΑ ΤΗΣ ΣΥΣΚΕΥΑΣΙΑΣ.....	17
8	ΓΕΝΙΚΗ ΕΠΙΣΚΟΠΗΣΗ ΤΟΥ ΑΠΟΡΡΟΦΗΤΗΡΑ.....	18
9	ΕΓΚΑΤΑΣΤΑΣΗ ΤΟΥ ΠΡΟΪΟΝΤΟΣ.....	19
10	ΠΩΣ ΝΑ ΧΡΗΣΙΜΟΠΟΙΕΙΤΕ ΤΟ ΠΡΟΪΟΝ.....	29
11	ΑΝΤΙΚΑΤΑΣΤΑΣΗ ΛΑΜΠΤΗΡΑ.....	30
12	ΕΞΟΥΣΙΟΔΟΤΗΜΕΝΟ ΣΕΡΒΙΣ.....	31
13	ΤΕΧΝΙΚΟΣ ΠΙΝΑΚΑΣ.....	33

1 Τεχνικό Σχέδιο



Απεικ. 1

2 ΠΡΟΕΙΔΟΠΟΙΗΣΕΙΣ ΚΑΙ ΜΕΤΡΑ ΑΣΦΑΛΕΙΑΣ

ΠΡΟΕΙΔΟΠΟΙΗΣΗ ΚΑΙ ΠΡΟΦΥΛΑΞΕΙΣ ΑΣΦΑΛΕΙΑΣ

- Η συσκευή αυτή μπορεί να χρησιμοποιηθεί από παιδιά 8 ετών και άνω και από άτομα με μειωμένες σωματικές, αισθητηριακές ή διανοητικές ικανότητες ή από άτομα με έλλειψη εμπειρίας και γνώσης, εφόσον τους παρέχεται επιτήρηση ή εκπαίδευση σχετικά με την ασφαλή χρήση της συσκευής και κατανοούν τους ενεχόμενους κινδύνους.
- Τα παιδιά δεν θα πρέπει να πειράζουν τη συσκευή. Ο καθαρισμός και η συντήρηση από το χρήστη δεν πρέπει να γίνεται από παιδιά χωρίς επίβλεψη.
- Αυτό το προϊόν έχει σχεδιαστεί για οικιακή χρήση.
- Η τάση λειτουργίας του προϊόντος είναι 220-240 V~50-60 Hz.
- Το καλώδιο ρεύματος του προϊόντος διαθέτει φιν με γείωση. Αυτό το καλώδιο πρέπει να συνδέεται σε γειωμένη πρίζα.
- Όλη η ηλεκτρική καλωδίωση πρέπει να εγκατασταθεί από εξειδικευμένο ηλεκτρολόγο.
- Η εγκατάσταση από μη εξουσιοδοτημένα άτομα μπορεί να προκαλέσει κακή απόδοση λειτουργίας, ζημιά στο προϊόν και ατυχήματα.
- Το καλώδιο τροφοδοσίας της συσκευής δεν επιτρέπεται να εκτεθεί σε ενσφύνωση ή σύνθλιψη κατά τη συναρμολόγηση. Το καλώδιο τροφοδοσίας δεν πρέπει να περνά κοντά στη συσκευή μαγειρέματος. Σε αυτή την περίπτωση, μπορεί να λιώσει και να προκαλέσει πυρκαγιά.
- Μη συνδέσετε τη συσκευή στο ρεύμα πριν την εγκατάσταση.
- Βεβαιωθείτε ότι η θέση εγκατάστασης επιτρέπει στο χρήστη να αποσυνδέσει εύκολα το καλώδιο από την πρίζα, σε περίπτωση κινδύνου.
- Μην αγγίζετε τους λαμπτήρες του προϊόντος όταν έχουν λειτουργήσει για πολλή ώρα. Οι λαμπτήρες μπορούν να σας κάψουν τα χέρια, γιατί θα είναι καυτοί.
- Οι απορροφητήρες κουζίνας είναι κατασκευασμένοι για οικιακή χρήση σε κανονικό οικιακό μαγείρεμα. Για άλλους τύπους χρήσης υπάρχει κίνδυνος δυσλειτουργίας και ακυρώνεται η εγγύηση για το προϊόν.
- Να συμμορφώνεστε με τους κανόνες και τις οδηγίες σχετικά με την εξαγωγή του αέρα, όπως προβλέπεται από τις αρμόδιες αρχές. (Αυτή η προειδοποίηση δεν έχει εφαρμογή για χρήσεις χωρίς αγωγό εξαγωγής.)
- Δεν πρέπει να μαγειρεύετε εύφλεκτα τρόφιμα κάτω από τη συσκευή.
- Θέστε σε λειτουργία το προϊόν αφού έχετε τοποθετήσει πάνω στην εστία κασαρόλα, τηγάνι κλπ. Διαφορετικά, η ανάπτυξη υψηλής θερμοκρασίας μπορεί να προκαλέσει παραμόρφωση ορισμένων εξαρτημάτων του προϊόντος.
- Απενεργοποιήστε την εστία αερίου της συσκευής μαγειρέματος πριν αφαιρέσετε το μαγειρικό σκεύος, όπως μια κασαρόλα κλπ. από τη συσκευή μαγειρέματος.
- Μην αφήνετε λάδι που βράζει πάνω στην κουζίνα. Τα σκεύη που περιέχουν λάδι που βράζει μπορούν να αναφλεγούν από μόνα τους.
- Επειδή το λάδι μπορεί να πιάσει φωτιά, κυρίως κατά το τηγάνισμα, προσέχετε τις κουρτίνες και τα τραπεζομάντλια σας.

- Εξασφαλίζετε την έγκαιρη αντικατάσταση των φίλτρων. Τα φίλτρα που δεν αντικαθίστανται έγκαιρα αποτελούν κίνδυνο φωτιάς λόγω συσσώρευσης αποθέσεων λίπους σε αυτά.
- Μη χρησιμοποιείτε υλικά filtraρίσματος που δεν είναι ανθεκτικά στη φωτιά, αντί για το φίλτρο.
- Μη χρησιμοποιείτε το προϊόν χωρίς φίλτρο και μην αφαιρείτε τα φίλτρα ενώ είναι σε λειτουργία το προϊόν.
- Σε τυχόν περίπτωση φωτιάς, απενεργοποιήστε τον απορροφητήρα και τις άλλες συσκευές μαγειρέματος. (Αποσυνδέστε τη συσκευή από την πρίζα ή απενεργοποιήστε το γενικό διακόπτη.)
- Αν ο περιοδικός καθαρισμός του προϊόντος δεν γίνεται τακτικά, θα μπορούσε να προκληθεί κίνδυνος φωτιάς.
- Απενεργοποιείτε τη συσκευή πριν από οποιοδήποτε εργασίες συντήρησης. (Αποσυνδέστε τη συσκευή από την πρίζα ή απενεργοποιήστε το γενικό διακόπτη.)
- Όταν λειτουργούν ταυτόχρονα ο ηλεκτρικός απορροφητήρας κουζίνας και συσκευές που τροφοδοτούνται με είδη ενέργειας πέραν του ηλεκτρισμού, η αρνητική πίεση στο δωμάτιο δεν πρέπει να υπερβεί τα 4 Pa (4 X 10 bar).
- Οι συσκευές που λειτουργούν με καύση αερίου ή πετρελαίου, όπως θερμάστρες, και βρίσκονται στον ίδιο χώρο με το προϊόν, πρέπει να είναι πλήρως απομονωμένες από τον αέρα εξαγωγής αυτού του προϊόντος ή πρέπει να είναι ερμητικές.
- Όταν πραγματοποιείτε σύνδεση αγωγού εξαγωγής για το προϊόν, χρησιμοποιήστε σωλήνες διαμέτρου 150 mm ή 120 mm. Το μήκος της σύνδεσης αγωγού καθώς και ο αριθμός των γωνιών πρέπει να είναι στο ελάχιστο δυνατό.
- Τα παιδιά δεν πρέπει να παίζουν με τη συσκευή.
- Για την ασφάλειά σας, χρησιμοποιήστε ασφάλεια "Μέγ. 6 A" στο σύστημα απορροφητήρα.
- Επειδή τα υλικά συσκευασίας θα μπορούσαν να είναι επικίνδυνα, κρατήστε τα μακριά από παιδιά.
- Αν υποστεί ζημιά το καλώδιο ρεύματος, αυτό πρέπει να αντικατασταθεί από τον κατασκευαστή του ή από το εξουσιοδοτημένο από αυτόν τεχνικό σέρβις ή από άλλο άτομο με προσόντα του ίδιου επιπέδου, για την αποφυγή οποιασδήποτε επικίνδυνης κατάστασης.
- Σε τυχόν περίπτωση ανάφλεξης, απενεργοποιήστε τον απορροφητήρα κουζίνας και τις συσκευές μαγειρέματος και καλύψτε τη φλόγα. Ποτέ μη χρησιμοποιήσετε νερό για να σβήσετε τη φωτιά.
- Όταν είναι σε λειτουργία συσκευές μαγειρέματος, τα προσπελάσιμα μέρη τους θα μπορούσαν να είναι καυτά.
- Αυτή η συσκευή δεν προορίζεται για χρήση από άτομα με μειωμένες σωματικές, αισθητηριακές ή διανοητικές ικανότητες (περιλαμβανομένων παιδιών) ή από άτομα χωρίς επαρκή εμπειρία και γνώση σχετικά με τη χρήση της, εκτός αν τα άτομα αυτά βρίσκονται υπό την επίβλεψη ατόμου υπεύθυνου για την ασφάλεια της συσκευής.
- Μετά την εγκατάσταση του απορροφητήρα, η ελάχιστη απόσταση ανάμεσα στο προϊόν και στην ηλεκτρική κουζίνα πρέπει να είναι τουλάχιστον 55 cm, ενώ ανάμεσα στο προϊόν και σε κουζίνες αερίου ή συσκευές μαγειρέματος που λειτουργούν με άλλα καύσιμα πρέπει να είναι τουλάχιστον 65 cm.

- Η έξοδος του απορροφητήρα δεν πρέπει να συνδεθεί σε αεραγωγούς όπου υπάρχουν και άλλοι καπνοί.
- Πρέπει να είστε προσεκτικοί όταν χρησιμοποιείτε τη συσκευή ταυτόχρονα με άλλες συσκευές (π.χ. συσκευές θέρμανσης που λειτουργούν με αέριο, πετρέλαιο, κάρβουνο ή ξύλο, θερμαντήρες ντους κλπ.), οι οποίες χρησιμοποιούν τον ίδιο αέρα στο ίδιο περιβάλλον. Πρέπει να προσέχετε όταν χρησιμοποιείτε αυτές τις συσκευές ταυτόχρονα. Ο λόγος είναι ότι ο απορροφητήρας θα μπορούσε να επηρεάσει αρνητικά την καύση, επειδή εξαγεί τον αέρα περιβάλλοντος.
- Αυτή η προειδοποίηση δεν έχει εφαρμογή για χρήσεις χωρίς αγωγό εξαγωγής.
- Όταν ο ηλεκτρικός απορροφητήρας κουζίνας χρησιμοποιείται ταυτόχρονα με άλλες συσκευές που χρησιμοποιούν αέριο ή άλλα καύσιμα, πρέπει να υπάρχει επαρκής αερισμός στο δωμάτιο (ίσως να μην ισχύει για συσκευές που εξαγουν τον αέρα πάλι στο δωμάτιο).

2.1 ΚΙΝΔΥΝΟΣ ΘΑΝΑΤΟΥ - ΚΙΝΔΥΝΟΣ ΔΗΛΗΤΗΡΙΑΣΗΣ



ΚΙΝΔΥΝΟΣ!

Προειδοποίηση - Κίνδυνος πνιγμονής

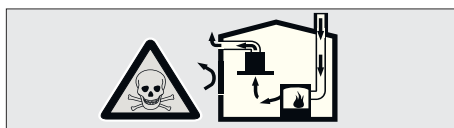
Τα υλικά συσκευασίας είναι επικίνδυνα για τα παιδιά. Ποτέ μην επιτρέψετε σε παιδιά να παίζουν με υλικά συσκευασίας.



ΚΙΝΔΥΝΟΣ!

Προειδοποίηση - Κίνδυνος - Θάνατος

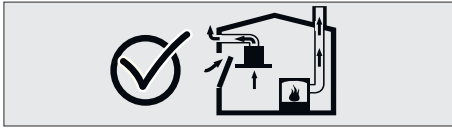
Υπάρχει κίνδυνος για τη ζωή και κίνδυνος δηλητηρίασης, λόγω αντίστροφης αναρρόφησης καυσαερίων. Σε περίπτωση χρήσης εξόδου απομάκρυνσης του αέρα, εκτός αν παρέχεται επαρκής παροχή αέρα, μη χρησιμοποιείτε τη συσκευή ταυτόχρονα με συσκευές που αποβάλλουν τοξικά αέρια μέσω αγωγού εξαγωγής, όπως θερμαντήρες με τροφοδοσία αέρα που λειτουργούν με καύση αερίου, πετρελαίου, ξύλου ή άνθρακα, θερμαντήρες ντους, θερμαντήρες νερού κλπ. Απεικ. 2



Απεικ. 2: Κίνδυνος δηλητηρίασης

Τα προϊόντα με τροφοδοσία αέρα (όπως θερμαντήρες που λειτουργούν με καύση αερίου, πετρελαίου, ξύλου ή άνθρακα, θερμαντήρες ντους, θερμαντήρες νερού) λαμβάνουν αέρα καύσης από τη θέση εγκατάστασης και αποβάλλουν τα αέρια μέσω ενός συστήματος καυσαερίων (π.χ. αγωγού εξαγωγής). Όταν είναι ενεργός ο απορροφητήρας κουζίνας, απορροφά αέρα από την κουζίνα και τα γειτονικά δωμάτια. Αν δεν παρέχεται επαρκής εισαγωγή αέρα, δημιουργείται υποπίεση. Σε αυτή την περίπτωση, τα τοξικά αέρια αναρροφούνται από τον αγωγό εξαγωγής και το κανάλι απομάκρυνσης καυσαερίων και επιστρέφουν στο δωμάτιο. Απεικ. 2

- Επομένως, πρέπει πάντα να διασφαλίζεται επαρκής είσοδος φρέσκου αέρα. Απεικ. 3



Απεικ. 3



ΚΙΝΔΥΝΟΣ!

Κίνδυνος φωτιάς!

- Τα κατάλοιπα λαδιού μέσα στο φίλτρο λαδιού μπορούν να πιάσουν φωτιά. **Καθαρίζετε το φίλτρο λαδιού τουλάχιστον κάθε 3 μήνες.** Ποτέ μη χρησιμοποιήσετε τη συσκευή χωρίς το φίλτρο λαδιού.
- Τα κατάλοιπα λαδιού στο φίλτρο λαδιού μπορούν να πιάσουν φωτιά. Ποτέ μην εργάζεστε με γυμνή φλόγα (π.χ. συνταγές φλαμπέ) κοντά στη συσκευή. Η συσκευή επιτρέπεται να εγκατασταθεί κοντά σε συσκευή θέρμανσης που λειτουργεί με στερεό καύσιμο (π.χ. ξύλα ή κάρβουνο) μόνο αν η συσκευή αυτή έχει μη αφαιρούμενο κάλυμμα. Δεν πρέπει να διαφεύγουν σπινθήρες.
- Τα καυτά λάδια και λίπη μπορούν να αναφλεγούν εύκολα. Τα καυτά λάδια και λίπη δεν πρέπει να μένουν ποτέ χωρίς επιτήρηση. Ποτέ μην προσπαθήσετε να σβήσετε τη φωτιά με νερό. Σβήστε την εστία. Σβήστε τις φλόγες προσεκτικά χρησιμοποιώντας ένα κάλυμμα, πυρίμαχη κουβέρτα ή παρόμοιο υλικό.
- Οι κουζίνες αερίου που δεν έχουν σκεύος πάνω τους παράγουν πολλή θερμότητα κατά τη λειτουργία τους. Μια συσκευή αερισμού τοποθετημένη πάνω από τις κουζίνες μπορεί να υποστεί ζημιά ή να καεί από αυτό το λόγο. Να χρησιμοποιείτε τις κουζίνες αερίου μόνο όταν υπάρχει μαγειρικό σκεύος πάνω τους.
- Η ταυτόχρονη λειτουργία περισσότερων από δύο εστιών αερίου παράγει πολλή θερμότητα. Μια συσκευή αερισμού τοποθετημένη πάνω από τις κουζίνες μπορεί να υποστεί ζημιά ή να καεί από αυτό το λόγο. Ποτέ μη χρησιμοποιείτε δύο εστίες αερίου για περισσότερο από 15 λεπτά σε ρύθμιση υψηλής φλόγας. Μια μεγάλη εστία ισχύος άνω των 5 kW (γουόκ) έχει την ισχύ δύο εστιών αερίου.

**ΚΙΝΔΥΝΟΣ!****Κίνδυνος ηλεκτροπληξίας!**

- Μια συσκευή που παρουσιάζει βλάβη μπορεί να προκαλέσει ηλεκτροπληξία. Ποτέ μην ενεργοποιήσετε μια συσκευή που παρουσιάζει βλάβη. Τραβήξτε το φως ρευματοληψίας από την πρίζα και απενεργοποιήστε τον ασφαλειοδιακόπτη. Καλέστε το τμήμα εξυπηρέτησης πελατών.
- Οι ακατάλληλες επισκευές προκαλούν κινδύνους. Η επισκευές και η αντικατάσταση καλωδίων ρεύματος που έχουν υποστεί ζημιά πρέπει να γίνονται μόνο από τεχνικό εξυπηρέτησης πελατών που έχει εκπαιδευτεί από εμάς. Αν η συσκευή παρουσιάζει δυσλειτουργία, τραβήξτε το φως ρευματοληψίας από την πρίζα και απενεργοποιήστε τον ασφαλειοδιακόπτη. Καλέστε το τμήμα εξυπηρέτησης πελατών.
- Η διείσδυση νερού μέσα στη συσκευή μπορεί να προκαλέσει ηλεκτροπληξία. Δεν πρέπει να χρησιμοποιούνται συσκευές καθαρισμού με υψηλή πίεση ή με ατμό.

**ΚΙΝΔΥΝΟΣ!****Κίνδυνος τραυματισμού ατόμων!**

- Κατά την εγκατάσταση, υπάρχει κίνδυνος τραυματισμού λόγω αιχμηρών ακμών. Χρησιμοποιείτε προστατευτικά γάντια σε όλη τη διαδικασία εγκατάστασης της συσκευής.
- Λόγω του κινδύνου να πέσει η συσκευή, η τοποθέτηση όλων των μπουλονιών ασφαλείας και καλυμμάτων πρέπει να εκτελείται όπως προβλέπεται στις παρούσες Οδηγίες χρήσης.
- Αντικείμενα που τοποθετούνται πάνω στη συσκευή μπορούν να πέσουν κάτω. Μην τοποθετείτε οποιαδήποτε αντικείμενα πάνω στη συσκευή.
- Οι λυχνίες LED είναι πολύ φωτεινές και μπορούν να προξενήσουν βλάβες στα μάτια (ομάδα κινδύνων 1) Δεν πρέπει να κοιτάτε απευθείας λυχνίες LED σε λειτουργία για περισσότερο από 100 δευτερόλεπτα.



ΚΙΝΔΥΝΟΣ!

Κίνδυνος εγκαυμάτων, κίνδυνος ηλεκτροπληξίας!

- Περιμένετε να κρυώσει η συσκευή πριν από εργασίες καθαρισμού ή συντήρησης. Αποσυνδέστε την ασφάλεια ή την παροχή ρεύματος δικτύου.
- Υπάρχει κίνδυνος ζημιάς λόγω διείσδυσης υγρασίας στα ηλεκτρονικά εξαρτήματα. Ποτέ μην καθαρίζετε τα στοιχεία ελέγχου με υγρό πανί.
- Η επιφάνεια μπορεί να υποστεί ζημιά από λανθασμένο τρόπο καθαρισμού. Καθαρίζετε τις επιφάνειες ανοξειδωτου χάλυβα μόνο στην κατεύθυνση βουρτσίσματος. Μη χρησιμοποιείτε καθαριστικά ανοξειδωτου χάλυβα για τα στοιχεία ελέγχου.
- Η επιφάνεια μπορεί να υποστεί ζημιά λόγω καθαριστικών μέσων που είναι αιχμηρά ή χαράζουν. Ποτέ μη χρησιμοποιήσετε καθαριστικά μέσα που είναι αιχμηρά ή χαράζουν.



ΚΙΝΔΥΝΟΣ!

Κίνδυνοι φωτιάς και τραυματισμού!

Σε περίπτωση επισκευής που δεν πραγματοποιείται σύμφωνα με τους κανόνες ή όπως απαιτείται, απενεργοποιήστε τον ασφαλειοδιακόπτη ή αποσυνδέστε από την πρίζα το καλώδιο τροφοδοσίας της συσκευής σας. Η επισκευές πρέπει να πραγματοποιούνται μόνο από το εξουσιοδοτημένο τεχνικό σέρβις ή εξουσιοδοτημένους ειδικούς.



ΥΠΟΔΕΙΞΗ!

Αν η συσκευή παρουσιάζει βλάβη ή ζημιές, απενεργοποιήστε τον ασφαλειοδιακόπτη ή αποσυνδέστε από την πρίζα το καλώδιο τροφοδοσίας της συσκευής σας και καλέστε το εξουσιοδοτημένο σέρβις.



ΥΠΟΔΕΙΞΗ!

Αν υποστεί ζημιά το καλώδιο ρεύματος, αυτό πρέπει να αντικατασταθεί από τον κατασκευαστή του ή από το εξουσιοδοτημένο από αυτόν τεχνικό σέρβις ή από άλλο άτομο με προσόντα του ίδιου επιπέδου, για την αποφυγή οποιασδήποτε επικίνδυνης κατάστασης.

**ΥΠΟΔΕΙΞΗ!**

Αν παρουσιάσουν βλάβη οι λαμπτήρες της συσκευής, απενεργοποιήστε τον ασφαλειοδιακόπτη και αποσυνδέστε το φως ρευματοληψίας της συσκευής από την πρίζα. Αντικαταστήστε άμεσα του λαμπτήρες που έχουν υποστεί βλάβη (περιμένετε να κρυώσουν πρώτα οι λαμπτήρες), για να προστατέψετε τους υπόλοιπους λαμπτήρες από υπερφόρτωση.

**ΠΡΟΣΟΧΗ!**

Τα προσβάσιμα μέρη της συσκευής μπορεί να αποκτήσουν υψηλή θερμοκρασία όταν χρησιμοποιούνται με συσκευές μαγειρέματος.

**ΚΙΝΔΥΝΟΣ!**

Ο σωλήνας εξόδου αέρα της συσκευής δεν πρέπει να συνδέεται στον αγωγό εξαγωγής που χρησιμοποιείται για την απομάκρυνση αναθυμιάσεων από συσκευές που χρησιμοποιούν αέριο ή άλλα καύσιμα.

Αίτια ζημιάς**ΠΡΟΣΟΧΗ!**

Κίνδυνος ζημιάς λόγω διάβρωσης. Πάντα να έχετε σε λειτουργία το μηχάνημα κατά το μαγείρεμα, για να αποτρέψετε το σχηματισμό συμπυκνώματος ατμών. Τα συμπυκνώματα ατμών μπορούν να προκαλέσουν ζημιά λόγω διάβρωσης. Αντικαταστήστε άμεσα το λαμπτήρα που παρουσίασε βλάβη για να αποτρέψετε ζημιά από υπερφόρτωση στους άλλες λαμπτήρες. Η διείσδυση υγρασίας σε ηλεκτρονικά εξαρτήματα προκαλεί κίνδυνο ζημιών. Ποτέ μην καθαρίζετε τα στοιχεία ελέγχου με υγρό πανί. Η επιφάνεια θα μπορούσε να υποστεί ζημιά λόγω λανθασμένης διαδικασίας καθαρισμού. Καθαρίζετε τις επιφάνειες ανοξειδωτου χάλυβα μόνο στην κατεύθυνση βουρτσίσματός τους. Μη χρησιμοποιήσετε καθαριστικό ανοξειδωτου χάλυβα για τα στοιχεία ελέγχου. Η επιφάνεια θα μπορούσε να υποστεί ζημιά λόγω χημικά δραστικών και λειαντικών καθαριστικών παραγόντων. Ποτέ μη χρησιμοποιήσετε χημικά δραστικούς και λειαντικούς καθαριστικούς παράγοντες. Υπάρχει κίνδυνος ζημιάς λόγω αντίστροφης ροής υγρού συμπυκνώματος. Εγκαταστήστε το κανάλι εξόδου του αέρα με μικρή κλίση προς τα κάτω (κλίση 1°) ως προς τη συσκευή.

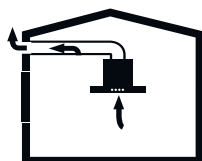
3 ΧΡΗΣΗ ΜΕ Ή ΧΩΡΙΣ ΦΙΛΤΡΟ ΑΝΘΡΑΚΑ



Μπορείτε να χρησιμοποιήσετε αυτή τη συσκευή σε λειτουργία εξαγωγής αέρα ή σε λειτουργία ανακυκλοφορίας του αέρα.

Λειτουργία εξαγωγής αέρα

Ο αέρας που αναρροφάται καθαρίζεται από φίλτρα λαδιού και απομακρύνεται μέσω ενός συστήματος σωλήνων. Απεικ. 4



Απεικ. 4: Έξοδος αέρα χωρίς φίλτρο άνθρακα



ΥΠΟΔΕΙΞΗ!

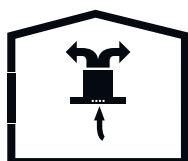
Ο εξαγόμενος αέρας δεν πρέπει να μεταφέρεται σε ενεργό αγωγό εξαγωγής αναθυμιάσεων ή καυσαερίων ούτε πρέπει να μεταφέρεται σε καμινάδα που χρησιμοποιείται για τον εξαερισμό χώρων όπου υπάρχουν εγκατεστημένες πηγές θέρμανσης.

- Αν ο εξαγόμενος αέρας απαιτείται να μεταφερθεί σε απενεργοποιημένο αγωγό εξαγωγής αναθυμιάσεων ή καυσαερίων, θα πρέπει να λάβετε άδεια από τον εξουσιοδοτημένο υπεύθυνο καθαρισμού της καμινάδας.
- Αν ο εξερχόμενος αέρας εξάγεται μέσω του εξωτερικού τοίχου, πρέπει να χρησιμοποιηθεί τηλεσκοπικό προστατευτικό τοίχου.

Λειτουργία Κυκλοφορίας του αέρα



Ο αέρας που αναρροφάται καθαρίζεται από τα φίλτρα λαδιού και το φίλτρο ενεργού άνθρακα και κατόπιν επιστρέφεται στο χώρο της κουζίνας. Απεικ. 5



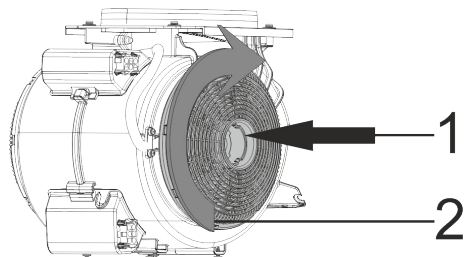
Απεικ. 5: Κυκλοφορία αέρα μέσω φίλτρου άνθρακα



Σε λειτουργία κυκλοφορίας αέρα, πρέπει να τοποθετήσετε ένα ενεργό φίλτρο άνθρακα για να κατακρατά τις ουσίες που προκαλούν οσμές. Συμβουλευτείτε τον τοπικό σας εξουσιοδοτημένο έμπορο για τις διάφορες προϋποθέσεις που απαιτούνται για τη λειτουργία της συσκευής σε λειτουργία κυκλοφορίας αέρα. Μπορείτε να αποκτήσετε τα απαιτούμενα αξεσουάρ για αυτόν τον τρόπο λειτουργίας από σχετικά σημεία πώλησης, το εξουσιοδοτημένο σέρβις ή από online κέντρα πωλήσεων.

4 Αντικατάσταση φίλτρου άνθρακα

ΦΙΛΤΡΟ ΑΝΘΡΑΚΑ



Απεικ. 6: ΦΙΛΤΡΟ ΑΝΘΡΑΚΑ

Η συσκευή που προμηθευτήκατε είναι κατάλληλη για χρήση φίλτρων άνθρακα.

- 1-Τοποθετήστε το φίλτρο άνθρακα μέσα στο περίβλημά του (Απεικ. 6).
- 2-Περιστρέφοντας το φίλτρο άνθρακα δεξιόστροφα, βεβαιωθείτε ότι έχει εφαρμόσει πλήρως (Απεικ. 6).



Αν το φίλτρο άνθρακα δεν εφαρμόσει πλήρως, μπορεί να πέσει και να προξενήσει ζημιά στο προϊόν σας.



ΚΙΝΔΥΝΟΣ!

Ποτέ μην πλύνετε φίλτρα άνθρακα.

Κρατάτε τα φίλτρα άνθρακα μακριά από παιδιά.

5 ΚΑΘΑΡΙΣΜΟΣ ΚΑΙ ΠΡΟΛΗΠΤΙΚΗ ΣΥΝΤΗΡΗΣΗ

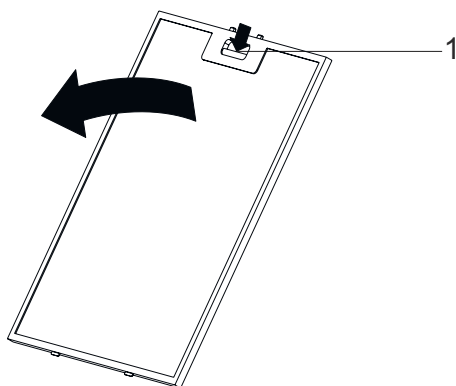


ΠΡΟΣΟΧΗ!

Οι εργασίες καθαρισμού και συντήρησης από το χρήστη δεν πρέπει να γίνονται από παιδιά χωρίς επίβλεψη.

- Η επιφάνεια μπορεί να υποστεί ζημιά λόγω καθαριστικών μέσων που είναι αιχμηρά ή χαράζουν. Ποτέ μη χρησιμοποιήσετε καθαριστικά μέσα που είναι αιχμηρά ή χαράζουν. Προμηθευτείτε από το εξουσιοδοτημένο σέρβις υλικά καθαρισμού και προστασίας που είναι κατάλληλα για τη συσκευή σας. Οι επιφάνειες της συσκευής και των στοιχείων ελέγχου είναι ευαίσθητες σε γρατσουνιές.
- Καθαρίζετε τις επιφάνειες με ένα μαλακό και ελαφρά υγρό πανί με υγρό πιάτων ή ήπιο καθαριστικό τζαμιών. Μπορείτε να μαλακώσετε τις υγρές, κολλώδεις ακαθαρσίες χρησιμοποιώντας ένα ελαφρά υγρό πανί. Μην ξύνετε τις επιφάνειες!
- Δεν επιτρέπεται η χρήση στεγνών πανιών, σφουγγαριών που μπορεί να χαράζουν, υλικών που χρειάζονται τρίψιμο, καθαριστικών που περιέχουν άμμο, σόδα, οξέα ή χλωρίνη ή άλλα δραστικά συστατικά.
- Καθαρίζετε τις επιφάνειες ανοξειδωτου χάλυβα μόνο στην κατεύθυνση βουρτσίσματός τους.
- Μη χρησιμοποιείτε καθαριστικά για ανοξειδωτο χάλυβα και βρεγμένα πανιά για τα στοιχεία ελέγχου. Καθαρισμός μεταλλικών φίλτρων λαδιού: Τα χρησιμοποιούμενα μεταλλικά φίλτρα λαδιού παγιδεύουν τα σωματίδια λαδιού που περιέχονται στα σωματίδια υγρασίας και υδρατμών στην κουζίνα. Υπό κανονικές συνθήκες χρήσης (1-2 ωρών την ημέρα), καθαρίζετε τα μεταλλικά φίλτρα λαδιού περίπου κάθε τρεις μήνες.
- Μη χρησιμοποιείτε καθαριστικά υπερβολικά δραστικά, ή καθαριστικά που περιέχουν οξύ ή χλώριο.
- Ενώ καθαρίζετε το μεταλλικό φίλτρο λαδιού, καθαρίστε με ένα ελαφρά υγρό πανί και τα εξαρτήματα συγκράτησης των μεταλλικών φίλτρων λαδιών στη συσκευή.
- Μπορείτε να καθαρίσετε τα μεταλλικά φίλτρα λαδιού στο πλυντήριο πιάτων ή με το χέρι.

5.1 ΚΑΘΑΡΙΣΜΟΣ ΦΙΛΤΡΩΝ ΑΛΟΥΜΙΝΙΟΥ



Απεικ. 7

1 Ρύγχος συγκράτησης φίλτρου αλουμινίου



Καθαρίζετε τα φίλτρα λαδιού από αλουμίνιο κάθε 3 μήνες.

- Πιέστε το ρύγχος συγκράτησης (1) του φίλτρου αλουμινίου και τραβήξτε το φίλτρο αλουμινίου στην κατεύθυνση του βέλους (Απεικ. 7).
- Καθώς αφαιρείτε το φίλτρο αλουμινίου, συγκρατήστε το με το άλλο χέρι για να μην πέσει.
- Καθώς αφαιρείτε το φίλτρο αλουμινίου, για να μη στάξει το συσσωρευμένο λάδι, κρατάτε την επιφάνεια του φίλτρου παράλληλη με το δάπεδο.

5.2 Πλύσιμο σε πλυντήριο πιάτων

Σε περίπτωση πλυσίματος σε πλυντήριο πιάτων, μπορεί να προκύψει ελαφρά αλλοίωση του χρωματισμού. Αυτή δεν έχει καμία επίπτωση στη λειτουργικότητα του μεταλλικού φίλτρου λαδιού.

- Μην πλένετε τα πολύ λερωμένα μεταλλικά φίλτρα λαδιού μαζί με τα πιάτα.
- Τοποθετήστε τα μεταλλικά φίλτρα λαδιού μέσα στο πλυντήριο πιάτων αραιά τοποθετημένα ή μόνα τους. Τα μεταλλικά φίλτρα λαδιού πρέπει να τοποθετούνται μέσα στο πλυντήριο πιάτων χωρίς να συμπιέζονται από τίποτα.

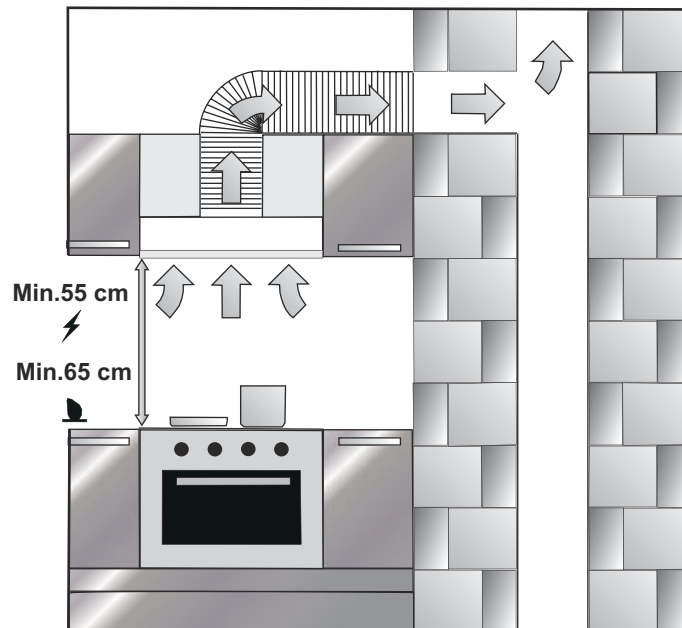
5.3 Πλύσιμο με το χέρι



Για να αφαιρέσετε επίμονους ρύπους μπορείτε να χρησιμοποιήσετε ειδικό διαλυτικό λαδιού. Μπορείτε να αποκτήσετε αυτό το διαλυτικό από ένα εξουσιοδοτημένο κέντρο πωλήσεων.

- Μαλακώνετε τους ρύπους στα μεταλλικά φίλτρα λαδιού σε ζεστό νερό με υγρό πιάτων.
- Χρησιμοποιήστε μια βούρτσα για καθαρισμό και μετά τον καθαρισμό αφήστε να στεγνώσουν τελείως τα μεταλλικά φίλτρα λαδιού.
- Ξεπλύνετε καλά τα φίλτρα μετά τον καθαρισμό.

6 ΤΟΠΟΘΕΤΗΣΗ ΤΗΣ ΣΥΣΚΕΥΗΣ



Απεικ. 8

Μετά την ολοκλήρωση της εγκατάστασης του απορροφητήρα, η ελάχιστη απόσταση ανάμεσα στο προϊόν και οποιαδήποτε ηλεκτρική κουζίνα πρέπει να είναι τουλάχιστον 55 cm, ενώ ανάμεσα στο προϊόν και σε κουζίνες αερίου ή συσκευές μαγειρέματος με άλλα καύσιμα πρέπει να είναι τουλάχιστον 65 cm (Απεικ. 8).

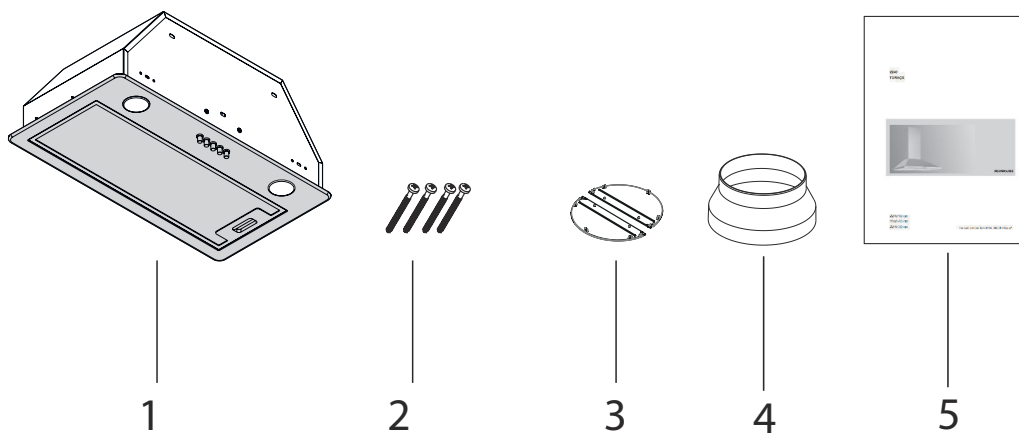
6.1 Εγκατάσταση και αποσυσκευασία

- Ελέγξτε αν υπάρχει οποιαδήποτε ζημιά στη συσκευή.
- Οι ζημιές λόγω μεταφοράς πρέπει να αναφέρονται άμεσα στον υπεύθυνο μεταφοράς.
- Τα ορατά ελαττώματα πρέπει να αναφέρονται και στον πωλητή.
- Μην επιτρέψετε σε παιδιά να παίζουν με τα υλικά συσκευασίας.

6.2 Υποδείξεις για Εξοικονόμηση ενέργειας

- Αντικαθιστάτε τα φίλτρα άνθρακα σε τακτική βάση.
- Καθαρίζετε τακτικά τα φίλτρα αλουμινίου. Επειδή τα λερωμένα φίλτρα μπορούν να εμποδίσουν τη διέλευση του αέρα, ίσως χρειάζεται να χρησιμοποιείτε τη συσκευή σε υψηλότερη ταχύτητα.
- Χρησιμοποιείτε το προϊόν στις κανονικές του ταχύτητες.
- Η χρήση σε υψηλότερη ταχύτητα θα προκαλούσε αύξηση της κατανάλωσης ενέργειας.

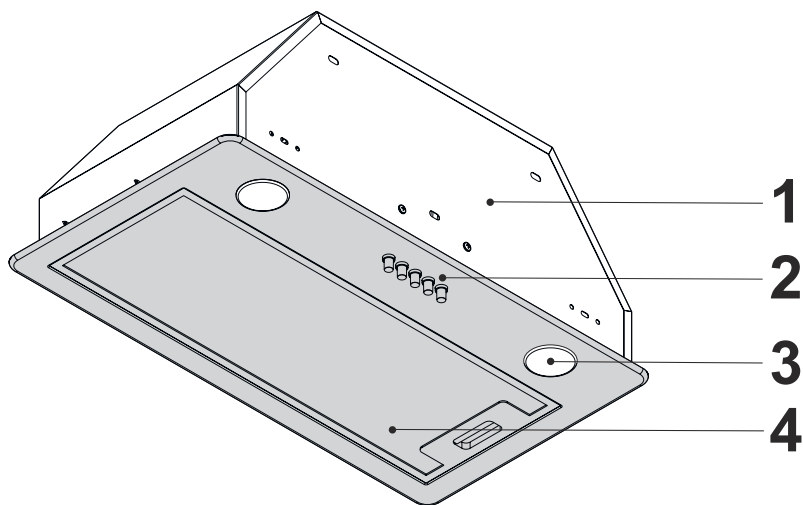
7 ΠΕΡΙΕΧΟΜΕΝΑ ΤΗΣ ΣΥΣΚΕΥΑΣΙΑΣ



Απεικ. 9: Τρέχοντα περιεχόμενα συσκευασίας

- 1- Προϊόν
- 2- Βίδες ανάρτησης
- 3- Πτερύγιο καπνοδόχου (Προαιρετικά)
- 4- Προσαρμογέας αγωγού εξόδου Ø150/120 mm (Προαιρετικά)
- 6- Εγχειρίδιο χρήσης

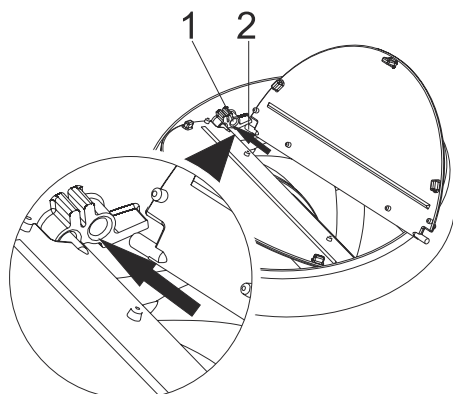
8 ΓΕΝΙΚΗ ΕΠΙΣΚΟΠΗΣΗ ΤΟΥ ΑΠΟΡΡΟΦΗΤΗΡΑ



Απεικ. 10

- 1 - Σώμα
- 2 - Πίνακας Ελέγχου
- 3 - Φωτισμός Κουζίνας
- 3 - Φίλτρο αλουμινίου

9 ΕΓΚΑΤΑΣΤΑΣΗ ΤΟΥ ΠΡΟΪΟΝΤΟΣ



- 1- Υποδοχή πείρου πτερυγίου
- 2- Πείρος πτερυγίου

Τα αξεσουάρ στερέωσης της συσκευής περιλαμβάνουν δύο πτερύγια απορροφητήρα. Συνδέστε αυτά τα πτερύγια εξαγωγής στην έξοδο του μοτέρ όπως δείχνει η παρακάτω εικόνα

- Εισάγετε τον πλαστικό πείρο (περιοχή αρ. 2) στην υποδοχή πείρου στην έξοδο του μοτέρ (περιοχή αρ.1). Κατόπιν λυγίστε ελαφρά το πτερύγιο για να εισάγετε τον άλλο πείρο στο πτερύγιο, και εισάγετε τον άλλο πείρο στην υποδοχή του (Απεικ. 11Απεικ. 11Απεικ. 11).

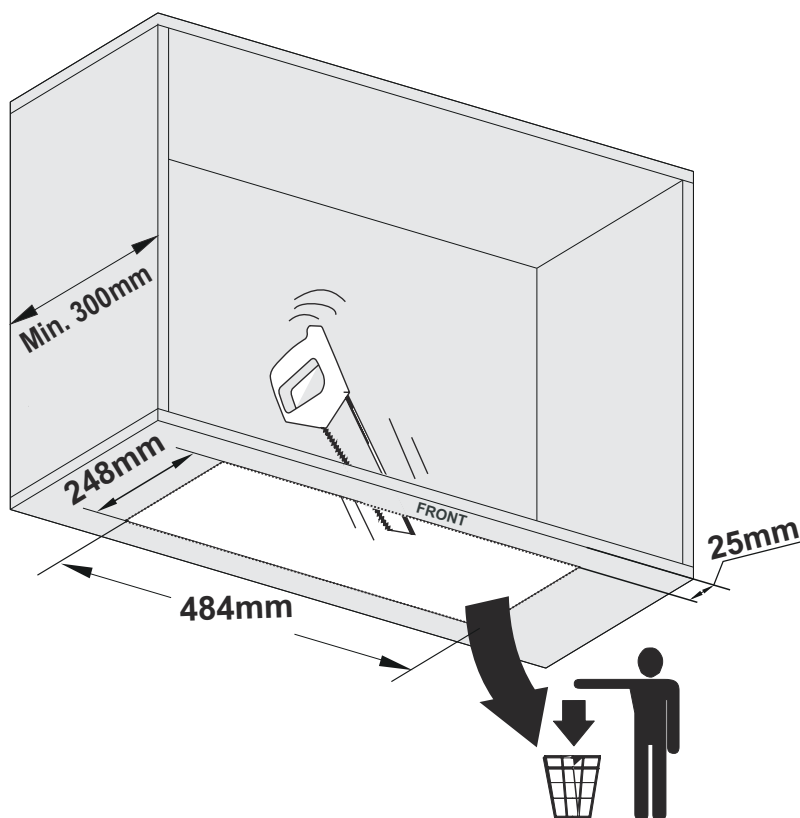
Απεικ. 11

Συναρμολόγηση προϊόντος



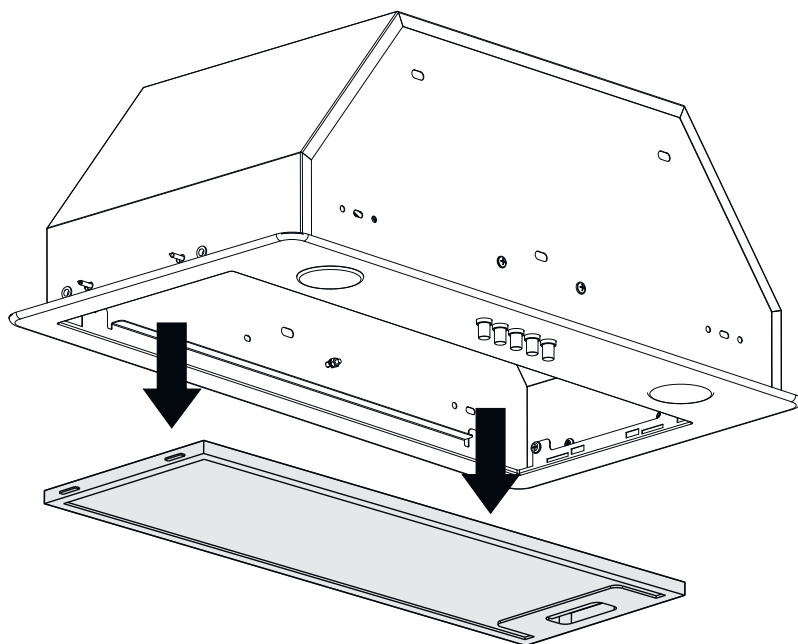
ΥΠΟΔΕΙΞΗ!

Κατά τη συναρμολόγηση του προϊόντος, η συναρμολόγηση από 2 άτομα θα είναι υγιεινή από άποψη πρόληψης εργατικών ατυχημάτων και της ασφάλειάς σας.



Απεικ. 12

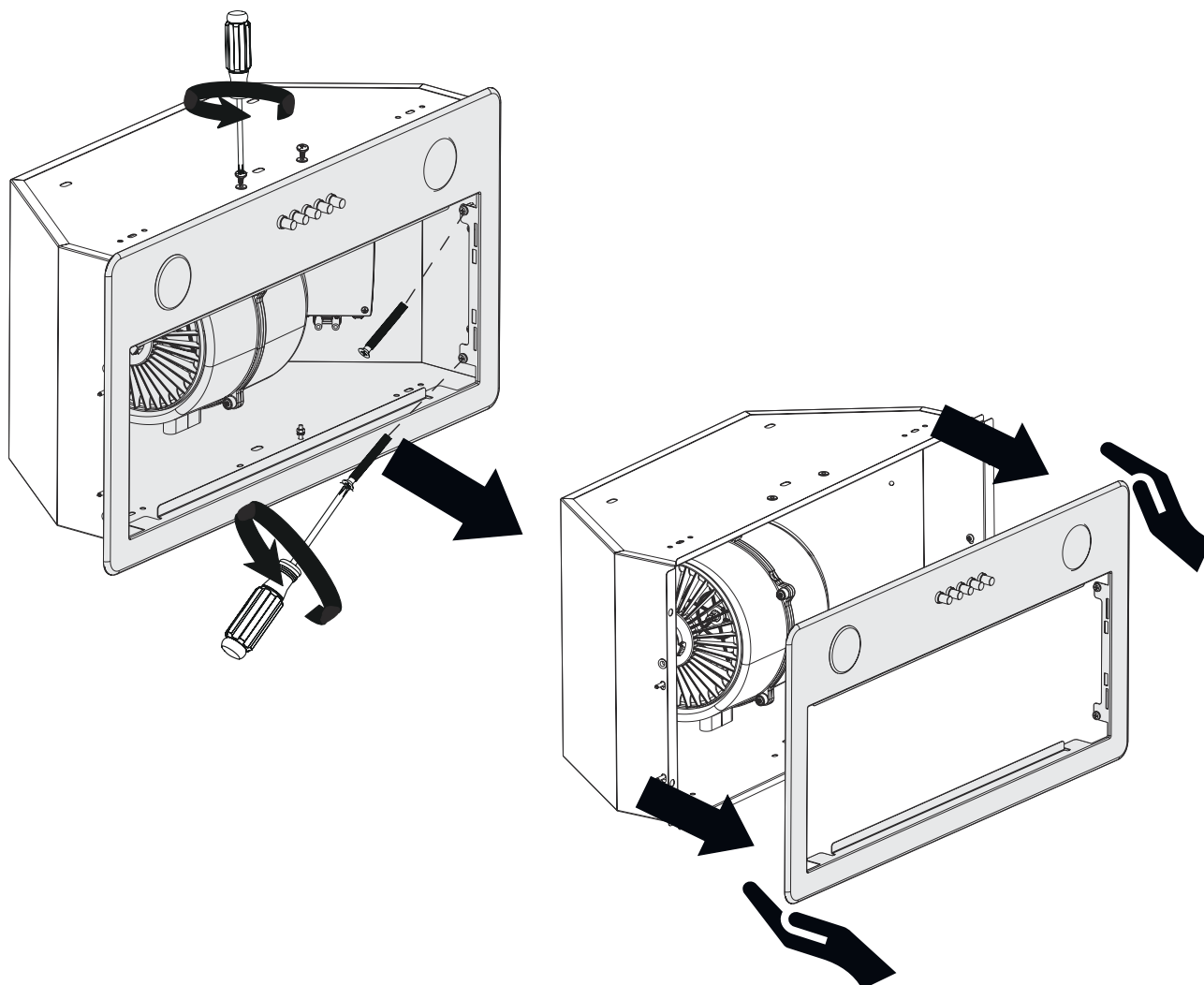
1. Το κάτω μέρος του ντουλαπιού όπου θα εγκατασταθεί ο απορροφητήρας Κόψτε την επιφάνεια σύμφωνα με αυτές τις διαστάσεις (Απεικ. 12).



Απεικ. 13

2. ➤ Αποσυναρμολογήστε τη συσκευή και τοποθετήστε την σε κατάλληλο μέρος. Πιέστε το μάνδαλο του φίλτρου αλουμινίου, τραβήξτε το προς το μέρος σας και αφαιρέστε το (Απεικ. 13).

Επιλογή-1

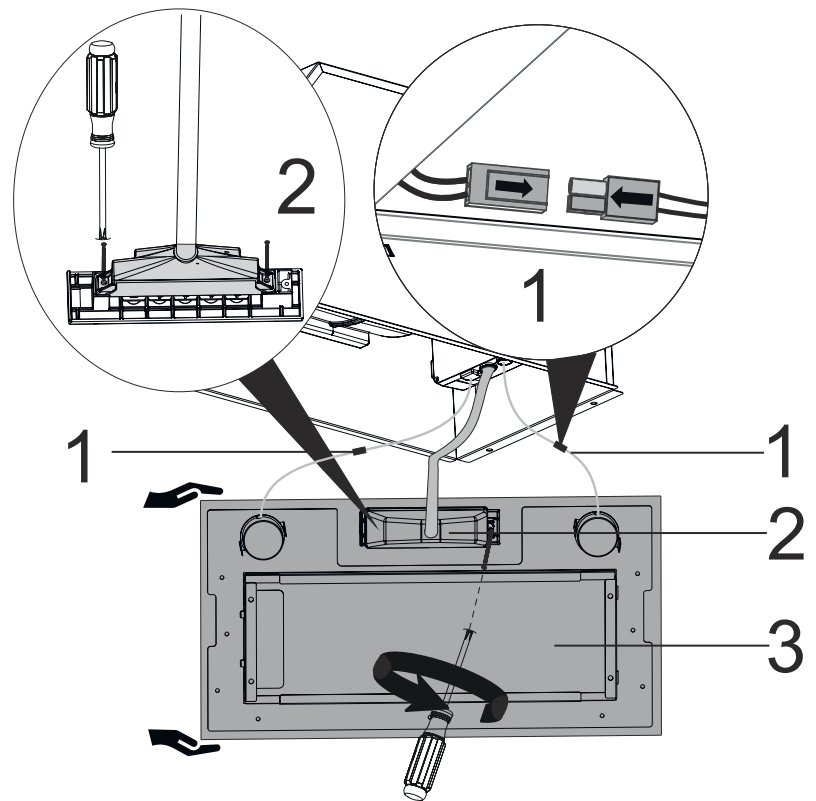


Απεικ. 14

3. ➤ Αφαιρέστε τις 4 βίδες που βρίσκονται στη δεξιά και αριστερή κονή πλευρά του απορροφητήρα (Απεικ. 14). Αφού ξεβιδώσετε τις 2 βίδες με κεφαλή που βρίσκονται στο περίβλημα, αφαιρέστε το γυαλί τραβώντας το προς το μέρος σας (Απεικ. 14).



Αφού αφαιρέσετε το μεταλλικό πλαίσιο, ακολουθήστε τα ακόλουθα βήματα συναρμολόγησης για την ασφάλειά σας:



Απεικ. 15

- 1- Βάση λάμπας εστίας
- 2- Διακόπτης πίνακα ελέγχου
- 3- Γυαλί θήκης

4. →

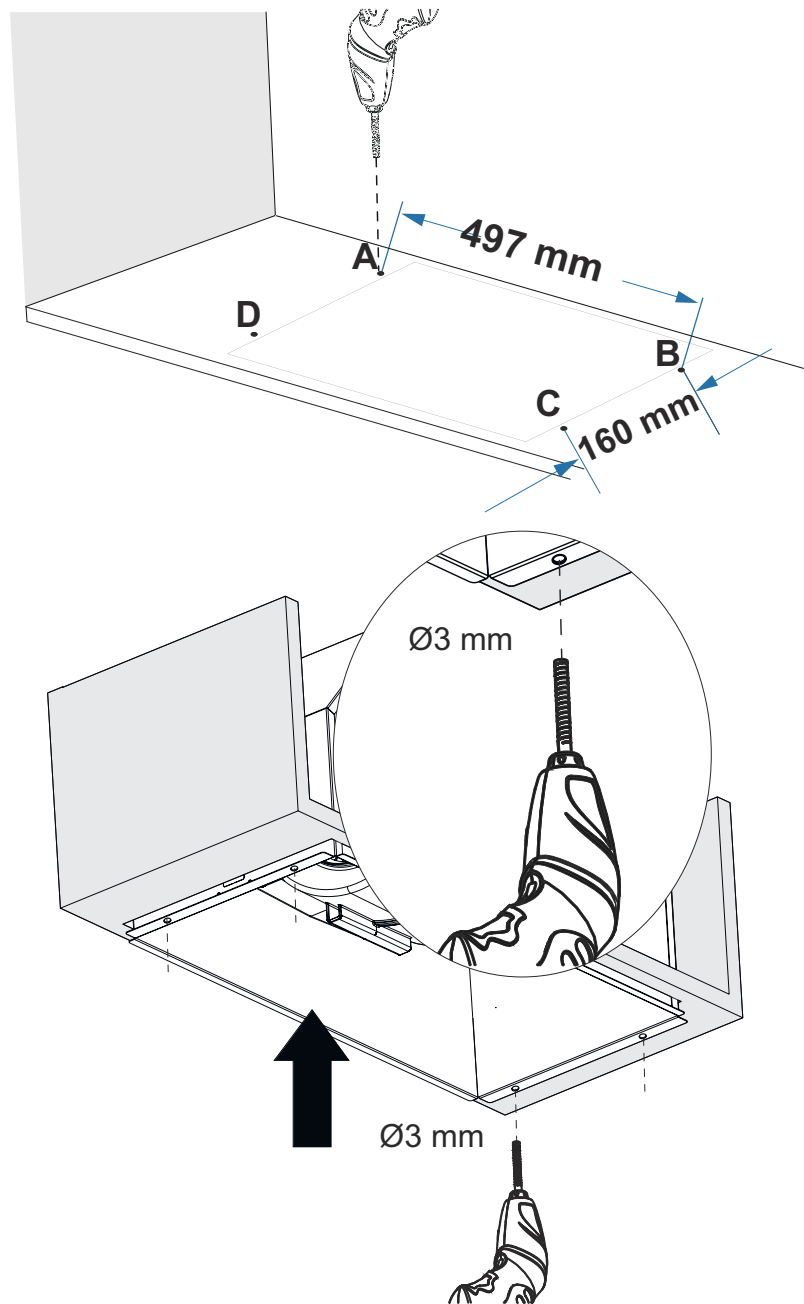
**ΚΙΝΔΥΝΟΣ!**

Ενώ αποσυνδέετε τους συνδετήρες, κρατήστε το γυαλί με το ένα χέρι.

- 1 – Για να αφαιρέσετε το φωτιστικό της εστίας, αποσυνδέστε τη βάση της λάμπας (Απεικ. 15), η οποία είναι συνδεδεμένη στη συσκευή σας.
- 2 – Για να αφαιρέσετε το κλειδί του πίνακα ελέγχου, ξεβιδώστε 1 βίδα από το κάλυμμα του κλειδιού, ανοίξτε το κάλυμμα του κλειδιού και, στη συνέχεια, ξεβιδώστε 2 βίδες από το κλειδί. (Απεικ. 15).
- 3 – Γυαλί θήκης

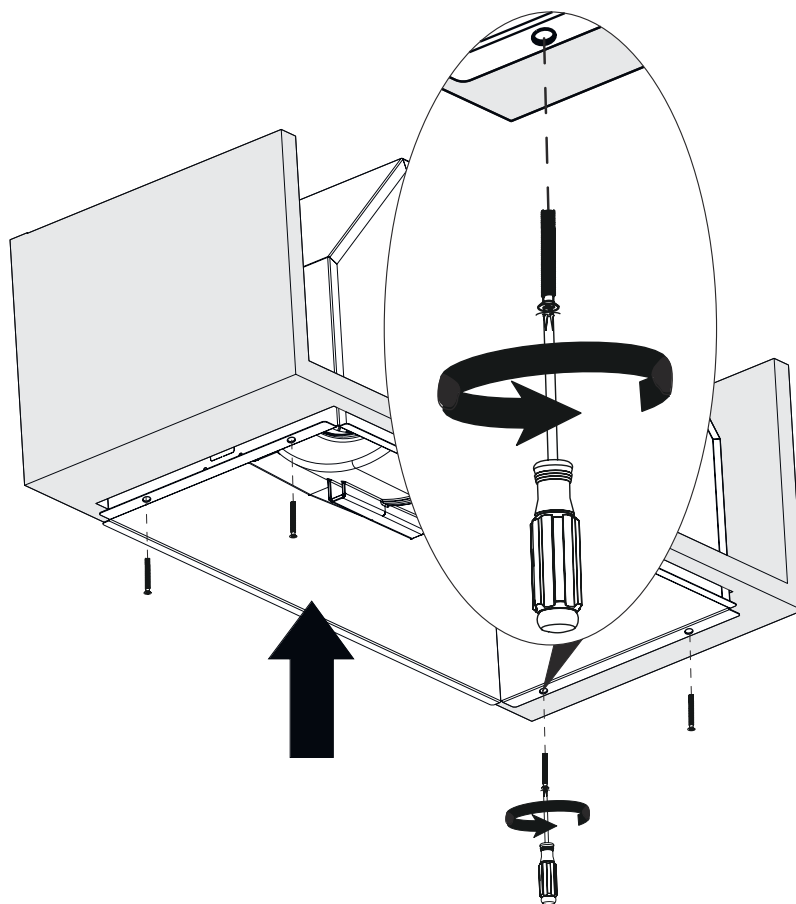


Τοποθετήστε το μεταλλικό πάνελ σε ασφαλές μέρος για να μην σπάσει ή γρατσουνιστεί.



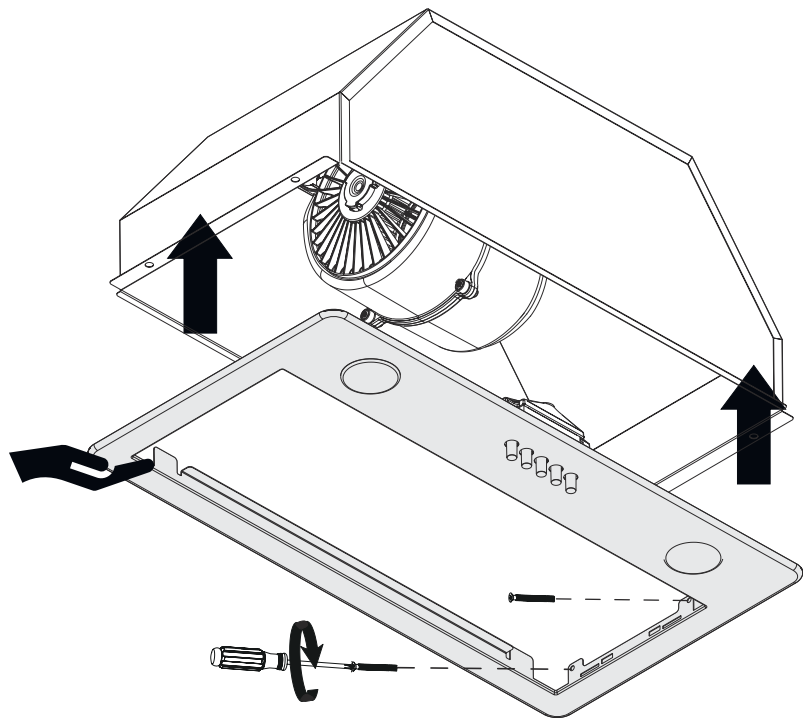
Απεικ. 16

5. ➤ Αφού κόψετε την περιοχή για την εγκατάσταση της συσκευής, ανοίξτε τρύπες Ø3 mm στα σημεία που σημειώνονται με A, B, C, D σύμφωνα με τις διαστάσεις που δίνονται.(Απεικ. 16).



Απεικ. 17

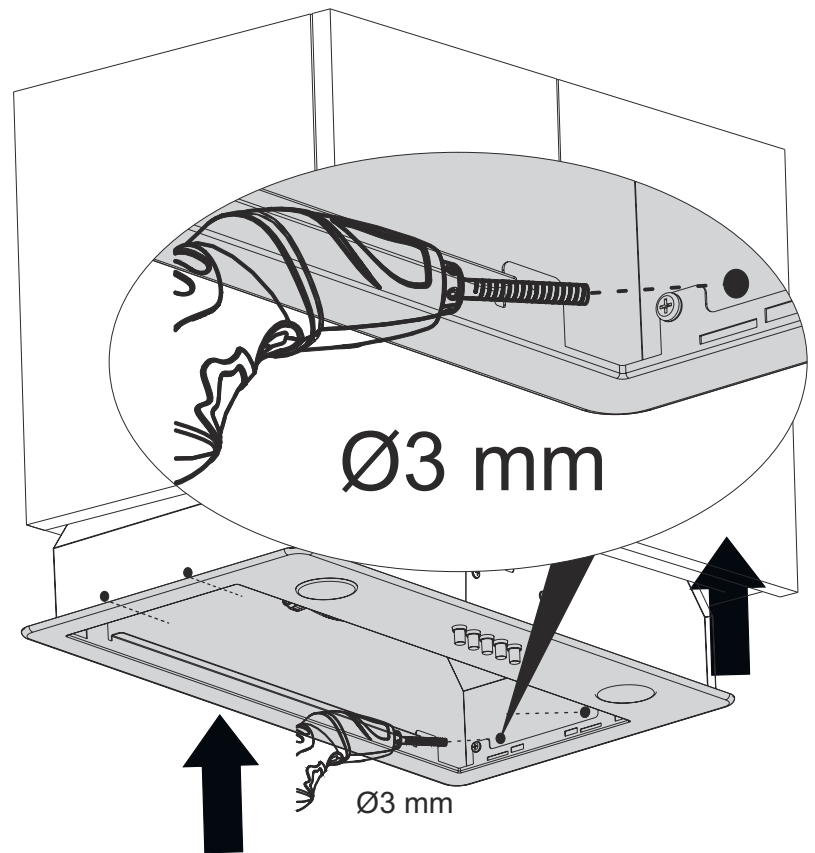
- 6.** ➔ Αφού ανοίξετε τις οπές στερέωσης με τρυπάνι $\varnothing 3$ mm, στερεώστε το προϊόν με 4 βίδες στερέωσης (Απεικ. 17).



Απεικ. 18

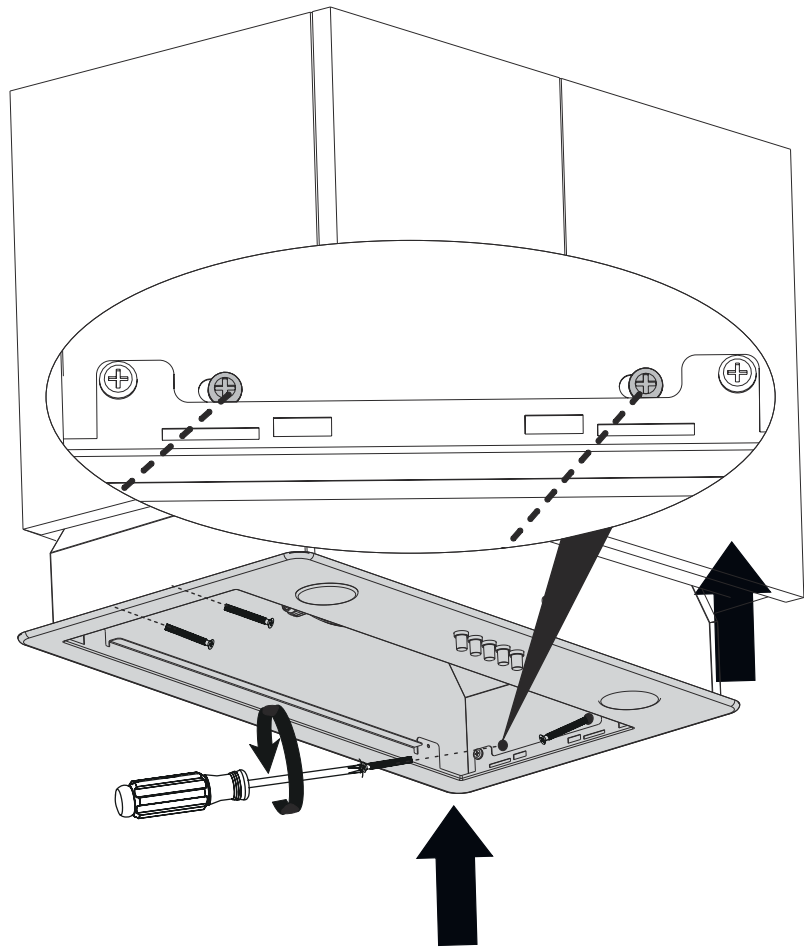
7. ➔
- Αφού εγκαταστήσετε τον απορροφητήρα στο ντουλάπι της κουζίνας, κρατήστε το γυαλί με το ένα χέρι και συνδέστε τους συνδετήρες των λαμπτήρων φωτισμού της σόμπας και τον διακόπτη του πίνακα ελέγχου με αντίστροφη σειρά (Απεικ. 18).
 - Τοποθετήστε το γυαλί έτσι ώστε να εφαρμόζει στις αυλακώσεις του περιβλήματος, κρατώντας το με το ένα χέρι. Τοποθετήστε τις βίδες στερέωσης του γυαλιού και σφίξτε τις (Απεικ. 18).

Επιλογή-2



Απεικ. 19

8. ➤ Αφού κόψετε το σημείο όπου θα τοποθετηθεί το προϊόν, τοποθετήστε την κουκούλα στο ντουλάπι της κουζίνας και τρυπήστε τις οπές στερέωσης με ένα τρυπάνι Ø3 mm (Απεικ. 19).



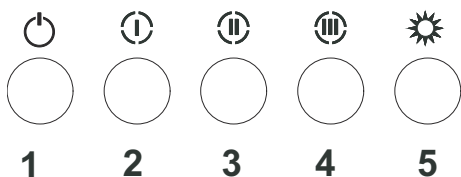
Απεικ. 20

9. ➤ Αφού τρυπήσετε τις οπές στερέωσης με τρυπάνι $\varnothing 3$ mm, στερεώστε το προϊόν με 4 βίδες στερέωσης (Απεικ. 20).



Συνδέστε το ένα άκρο του αλουμινένιου σωλήνα στην έξοδο αέρα του απορροφητήρα. Συνδέστε το άλλο άκρο του αλουμινένιου σωλήνα στην καμινάδα της κουζίνας, διασφαλίζοντας ότι και οι δύο συνδέσεις είναι αρκετά σφιχτές ώστε να μην χαλαρώσουν όσο ο απορροφητήρας λειτουργεί στη μέγιστη ταχύτητα. Δεδομένου ότι οι στροφές και οι στροφές στον αλουμινένιο σωλήνα μειώνουν την ισχύ αναρρόφησης, αποφύγετε τη χρήση τους, εάν είναι δυνατόν.

10 ΠΩΣ ΝΑ ΧΡΗΣΙΜΟΠΟΙΕΙΤΕ ΤΟ ΠΡΟΪΟΝ



Απεικ. 21: Πάτησε το κουμπί

	Πατήστε αυτό το κουμπί για να πραγματοποιήσετε επαναφορά στο προϊόν.
	Το προϊόν θα λειτουργεί στο 1ο επίπεδο ταχύτητας, όταν πατηθεί αυτό το κουμπί.
	Το προϊόν θα λειτουργεί στο 2ο επίπεδο ταχύτητας, όταν πατηθεί αυτό το κουμπί.
	Το προϊόν θα λειτουργεί στο 3ο επίπεδο ταχύτητας, όταν πατηθεί αυτό το κουμπί.
	Πατήστε αυτό το κουμπί για να ενεργοποιήσετε και να απενεργοποιήσετε το φωτισμό.

11 ΑΝΤΙΚΑΤΑΣΤΑΣΗ ΛΑΜΠΤΗΡΑ

Εάν η λυχνία της συσκευής δυσλειτουργεί, επικοινωνήστε με τον αντιπρόσωπο ή την εξυπηρέτηση πελατών.

Ισχύς Βολβών (W)	1.5
Ντουί / Πρίζα	Υποδοχή
Τάση Βολβών (V)	220 - 240
Μέγεθος (χιλιοστά)	46x46mm
Ενεργειακή Κλάση	G

12 ΕΞΟΥΣΙΟΔΟΤΗΜΕΝΟ ΣΕΡΒΙΣ

Αν δεν λειτουργεί ο φωτισμός:

- Βεβαιωθείτε ότι η συσκευή είναι συνδεδεμένη στο ρεύμα και ότι δεν έχουν υποστεί βλάβη οι ασφάλειες.
- Ελέγξτε τους λαμπτήρες. Να βεβαιώνετε ότι έχετε αποσυνδέσει τη συσκευή από την πρίζα πριν πραγματοποιήσετε αυτόν τον έλεγχο. Σφίξτε τους λαμπτήρες αν έχουν λασκάρει. Αντικαταστήστε τους αν και πάλι δεν λειτουργούν.

Ενδεχόμενες βλάβες και ενέργειες που μπορείτε να κάνετε χωρίς να καλέσετε το Σέρβις:

A) Η συσκευή δεν λειτουργεί καθόλου:

- Ελέγξτε αν η συσκευή έχει συνδεθεί στην πρίζα ή αν το φις είναι σταθερά συνδεδεμένο στην πρίζα.
- Ελέγξτε τον ασφαλειοδιακόπτη για τη συσκευή και το γενικό ασφαλειοδιακόπτη του σπιτιού σας.

Αν η απόδοση της συσκευής είναι χαμηλή ή η συσκευή παράγει δυνατούς θορύβους κατά τη λειτουργία:

- Έχει η συσκευή επαρκή διάμετρο αγωγών εξαγωγής; (ελάχ. 120 mm).
- Είναι τα μεταλλικά φίλτρα καθαρά; Ελέγξτε.
- Αν χρησιμοποιείτε τον απορροφητήρα χωρίς αγωγό εξαγωγής, βεβαιωθείτε ότι τα φίλτρα άνθρακα δεν είναι παλαιότερα των 6 μηνών.
- Βεβαιωθείτε ότι στην κουζίνα σας υπάρχει επαρκής αερισμός ώστε να διασφαλίζεται η ροή του αέρα. Αν και πάλι η απόδοση της συσκευής δεν είναι ικανοποιητική, επικοινωνήστε με το Εξουσιοδοτημένο Σέρβις.

Προβλήματα και Λύσεις

Περιγραφή βλάβης	Αιτία	Αντιμετώπιση
Το προϊόν δεν λειτουργεί	Ελέγξτε την ηλεκτρική σύνδεση.	Η τάση του ρεύματος δικτύου πρέπει να είναι 220-240 V, και το προϊόν πρέπει να είναι συνδεδεμένο σε γειωμένη πρίζα.
Λαμπτήρας φωτισμού δεν λειτουργεί.	Ελέγξτε την ηλεκτρική σύνδεση.	Η τάση του ρεύματος δικτύου πρέπει να είναι 220-240 V, και το προϊόν πρέπει να είναι συνδεδεμένο σε γειωμένη πρίζα.
Λαμπτήρας φωτισμού δεν λειτουργεί.	Ελέγξτε το διακόπτη φωτισμού.	Ο διακόπτης φωτισμού πρέπει να είναι στην ενεργοποιημένη θέση.
Λαμπτήρας φωτισμού δεν λειτουργεί.	Ελέγξτε τους λαμπτήρες.	Δεν πρέπει να υπάρχουν ελαττωματικοί λαμπτήρες στο προϊόν.
Η αναρρόφηση αέρα από το προϊόν είναι ανεπαρκής	Ελέγξτε το φίλτρο αλουμινίου	Το φίλτρο κασέτας αλουμινίου πρέπει να πλένεται μία φορά το μήνα υπό κανονικές συνθήκες.
Η αναρρόφηση αέρα από το προϊόν είναι ανεπαρκής	Ελέγξτε τον αγωγό εξαγωγής.	Ο αγωγός εξαγωγής πρέπει να είναι ανοικτός.

Περιγραφή βλάβης	Αιτία	Αντιμετώπιση
Η αναρρόφηση αέρα από το προϊόν είναι ανεπαρκής	Ελέγξτε το φίλτρο άνθρακα	Σε προϊόντα όπου χρησιμοποιούνται φίλτρα άνθρακα, το φίλτρο άνθρακα πρέπει να αντικαθίσταται κάθε 3 μήνες υπό κανονικές συνθήκες.
Δεν εξάγεται αέρας (χρήση χωρίς αγωγό εξαγωγής)	Ελέγξτε το φίλτρο αλουμινίου	Το φίλτρο κασέτας αλουμινίου πρέπει να πλένεται μία φορά το μήνα υπό κανονικές συνθήκες.
Δεν εξάγεται αέρας (χρήση χωρίς αγωγό εξαγωγής)	Ελέγξτε το φίλτρο άνθρακα	Σε προϊόντα που λειτουργούν με φίλτρα άνθρακα, το φίλτρο άνθρακα πρέπει να αντικαθίσταται κάθε 3 μήνες, υπό κανονικές συνθήκες.

13 ΤΕΧΝΙΚΟΣ ΠΙΝΑΚΑΣ

Τάση τροφοδοσίας	220 - 240 V 50Hz
Κλάση μόνωσης μοτέρ	F
Κλάση μόνωσης	ΚΛΑΣΗ Ι



Το προϊόν αυτό συμμορφώνεται με την Οδηγία 2004/108/ΕΚ για Ηλεκτρομαγνητική συμβατότητα και με την Οδηγία Χαμηλής τάσης (LVD) 2006/95/ΕΚ.



Το προϊόν αυτό συμμορφώνεται με την Οδηγία περί Αποβλήτων ηλεκτρικού και ηλεκτρονικού εξοπλισμού (ΑΗΗΕ).

Θεσσαλονίκη
Μαρίνου Αντύπα 35,
Πυλαία 55535
Τ: 2310 477000
Ε: info@davoline.gr
W: www.klimatechniki.gr

Αθήνα
Αρεοπόλεως 1,
Κηφισιά 14564
Τ: 210 8161200
Ε: info@davoline.gr
W: www.klimatechniki.gr

3 ΕΤΗΣ ΕΓΓΥΗΣΗ ΚΑΛΗΣ ΛΕΙΤΟΥΡΓΙΑΣ

Η παρούσα εγγύηση ισχύει για όλες τις ηλεκτρικές οικιακές συσκευές Davoline. Ισχύει σύμφωνα με τους όρους εγγύησης που αναφέρονται παρακάτω και μόνο εφόσον συνοδεύεται από το δελτίο αγοράς.

ΟΡΟΙ ΕΓΓΥΗΣΗΣ

Η Εταιρεία μας εγγυάται την καλή κατασκευή και λειτουργία του προϊόντος και τη μη ελαττωματικότητα των υλικών που χρησιμοποιήθηκαν.

1. Η εγγύηση παρέχεται για 3 έτη ως προς τον αρχικό αγοραστή.
2. Η μεταφορά των συσκευών προς επισκευή επιβαρύνει τον πελάτη (εκτός από τις μεγάλες συσκευές).
3. Η εγγύηση ισχύει από την ημέρα αγοράς της συσκευής που αναγράφεται στην θεωρημένη απόδειξη αγοράς (δελτίο λιανικής πώλησης, τιμολόγιο). Στην απόδειξη αυτή αναφέρεται εκτός από την ημερομηνία αγοράς, το όνομα του αγοραστή, η μάρκα και το μοντέλο της συσκευής.
4. Η εταιρεία μέσα στα πιο πάνω χρονικά όρια, σε περίπτωση βλάβης της συσκευής, αναλαμβάνει την υποχρέωση να επιδιορθώσει την συσκευή και να αντικαταστήσει κάθε τυχόν ελαττωματικό μέρος της, εφόσον η ανωμαλία προέρχεται από την κατασκευή και όχι από την κακή χρήση ή κακή μεταχείριση μετά την παράδοση της στον αγοραστή.
5. Η κανονική λειτουργία της συσκευής κατά τους έξι πρώτους μήνες της χρήσης της, επιβεβαιώνει την αρχική μη ελαττωματικότητα της. Το αντίθετο πρέπει να αποδειχθεί από τον πελάτη.
6. Οι επισκευές των επί μέρους εξαρτημάτων δεν επιφέρουν παράταση του χρόνου εγγύησης του προϊόντος.
7. Η εγγύηση παύει να ισχύει σε περίπτωση εκτέλεσης επισκευών ή επεμβάσεων από τα πρόσωπα που δεν έχουν εξουσιοδοτηθεί από την εταιρεία μας.
8. Σε περίπτωση αποστολής της συσκευής στο συνεργείο για επισκευή, μέσα στο χρόνο εγγύησης, πρέπει αυτή να συνοδεύεται από φωτοαντίγραφο της απόδειξης αγοράς.
9. Η εταιρεία εγκρίνει την αντικατάσταση της συσκευής, μόνο σε περίπτωση που δεν είναι δυνατή η σωστή αποκατάσταση της βλάβης.
10. Η εγγύηση ΔΕΝ καλύπτει τα κρύσταλλα, τα κεραμικά (εστιών) και τα αισθητικά μέρη των συσκευών.

11. Παρακαλείσθε να διαβάσετε προσεκτικά τις οδηγίες χρήσης της συσκευής. Οποιαδήποτε βλάβη προκύψει από μη τήρηση τους, ΔΕΝ καλύπτεται από την εγγύηση. Η άσκοπη κλήση του εξουσιοδοτημένου τεχνικού επιβαρύνει τον καταναλωτή.
12. Για να ισχύσει η εγγύηση σας, διατηρείτε πάντα σε καλή κατάσταση την απόδειξη αγοράς.