

800m³/h 5 Speed - 12 V

TECHNICAL SPECIFICATIONS

| | |
|-----------------------|----------------|
| Feeding Voltage | 220-240 V 50Hz |
| Motor Isolation Class | F |
| Isolation Class | CLASS I |



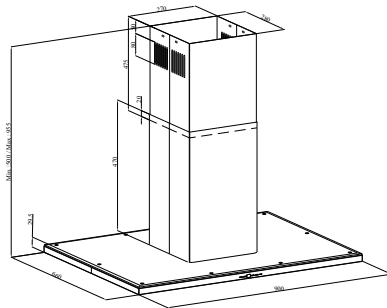
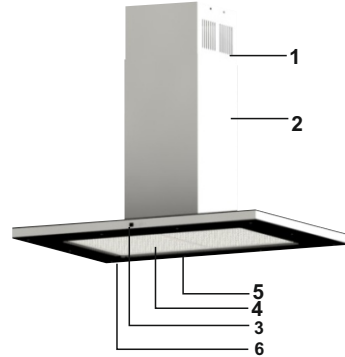
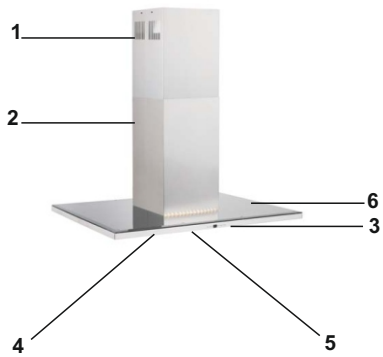
CHIMNEY HOOD (ISLAND)

INSTRUCTIONS MANUAL

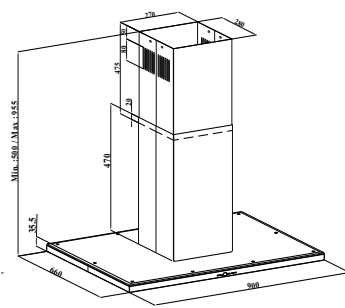
H610.4250.03 / REV:00



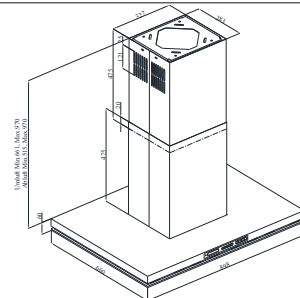
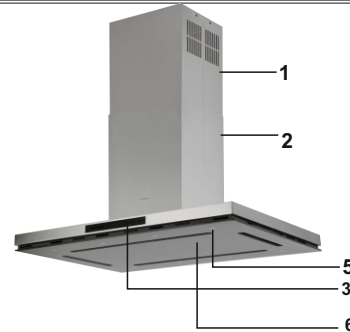
INTRODUCTION OF DEVICE



4250



4251



4205

- 1) External Chimney
- 2) Internal Chimney
- 3) Control Panel
- 4) Aluminum Cassette Filter
- 5) Cooker Lighting
- 6) Tempered Glass

| | Check electric connection (Voltage of the electric network should be between 220-240V, cooker hood should be connected to grounded) | Check motor switch (Motor switch should be at on position) | Check motor switch (Motor switch should be at on position) | Check aluminum filter (Aluminum Cassette Filter should be washed once a month at normal conditions.) | Check lamps (Lamps should be firm.) | Check outlet (Outlet should be open) | Check Carbon Filter (Carbon filter should be replaced with a new one each 2,3 months at the models with Carbon Filter at normal conditions) |
|---|---|--|--|--|-------------------------------------|--------------------------------------|---|
| Cooker-hood does not work | ✓ | ✓ | | | | | |
| Illumination Lamp does not work | ✓ | | ✓ | | ✓ | | |
| Cooker-hoods air suction is weak | | | | ✓ | | ✓ | ✓ |
| Cooker-hood does not direct air out (at places without chimney) | | | | ✓ | | | ✓ |

If the product does not work:

Before you contact the technical service:

Make sure that the product is plugged in and the electric fuse of the electric wiring is running. Do not take any action that will damage the product. Before you contact with technical service, check your cooker hood according to Table 1. If the problem goes on, contact the seller or the most authorized service.

In order to use the cooker hood efficiently:

- *Use ducts of 150/120mm diameter and as few bends as possible when you make the chimney connection.
- *Pay attention to aluminum filters' cleaning periods and changing periods of carbon filters.
- *Use the product at middle speed if high suction power is not necessary.
- * In order to ensure that ventilation occurs correctly, windows of the kitchen should be kept

MAINTENANCE

*Disconnect electricity connection before maintenance and cleaning process.

*Aluminum cassette filter holds the dust and the oil in the air.

*Metal filter should be washed once in a month with hot and soaped water or, if possible, at dishwasher (60C).

*Take off aluminum cassette filter pressing on springy latches on end point. After cleaning, do not replace before it dries.

*Outer surface of the cooker hood should be wiped with a wet cloth that is wetted with water or alcohol.

*Please avoid contact of electronic parts with water or similar materials.

*Using Inox cleaning and maintenance products available in the market will help your product to perform longer.

Warning: Aluminum filters may be washed in the dishwasher. Color of aluminum filters may change after several washings. This is normal and it is not necessary to change the filters.

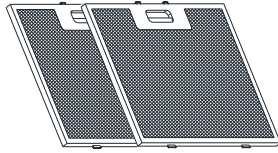
Efficient Ventilation

In order to ensure correct ventilation, keep your kitchen windows closed.

IMPORTANT NOTE

Please pay attention when the product is operated at the same time with a product which operates using air and fuel (for instance; heater, water heater etc. which operates using gas, diesel fuel, coal or wood), since cooker hood may affect burning negatively as it directs the air out.

This warning is not valid for usage without chimney.



**Washable Aluminum
Cassette Filter**

WARNINGS AND SAFETY PRECAUTIONS

*This product is designed for usage at home.

*Your products usage voltage is 220-240 Volts~50Hz

*Grounded plug is used at your product's electric network cable. This cable should definitely be plugged in a grounded socket.

*All electrical networks should be set by a qualified electrician.

*Installation applied by unauthorized people may cause the product to operate at low performance, damage of the product and accidents.

*Power supply cable should not be exposed to press or smash during montage. Network cordon should not be placed near the cookers; it may cause fire if it melts.

*Do not plug into the socket before installation of the product is completed.

*Keep the plug at a reachable place so that you can unplug it in case of any danger.

*Do not touch the lamps when they are on for long time. Lamps may hurt your hand as they will be hot.

*Kitchen cooker hoods are designed for usage during normal and home-style cooking. If it is used for other purposes, failure risk occurs and it will be out of warranty.

*Follow applicable rules and directions for passing out outlet air. (This warning is not valid for usage without chimney.)

*Flaming foods should not be cooked under the product.

*Start your product after you put pot, fry-pan etc. on the hob. Otherwise high temperature may cause some parts of your product to get deformed.

*Before you take pot, fry-pan etc. from the hob, put their lids on.

*Do not leave hot oil on the hob. Pots that have hot oil in them may cause selfignition.

*Pay attention to curtains and covers during cooking of meals like frying because oil may flare up.

*Make sure that filters are changed in convenience. Filters that are not changed at appropriate time has risk of causing fire due to oil that will be gathered on them.

*Do not use filter materials that are not flame resistant instead of filter.

*Do not operate your product without aluminum filter; do not remove filters when the product is on.

*In case of flame, cut power of the product and the cooking appliances. (Cut power of the product by plugging it off the socket).

*Your product may cause fire risk if cleaning is not applied periodically.

*Cut power of the product before maintenance process. (Cut power of the device by unplugging it)

*When chimney hood and the appliances working with energy other than electricity are operated at the same time, negative pressure in the room should not be more than 4 Pa (4×10^{-5} bar)

*If there is an appliance working with fuel or gaseous fuel at the same place with your hood, this appliance's exhaust should be isolated from its volume totally and the appliance should be hermetic type.

*When chimney connection is applied to your product, use ducts of 150mm or 120mm diameter. Duct connection should be as short as possible and should include few bends.

*Keep package materials away from children as they may be dangerous for them.

*Be sure that your child does not play with the product. Do not allow kids to use your product.

*If power supply cable is damaged, this cable should be changed by its producer or its service agency or a personnel who is a specialist at the same level in order to prevent a dangerous situation.

“CAUTION: Accessible parts may become hot when used with cooking appliances”

"The appliance is not to be used by children or persons with reduced physical, sensory or mental capabilities, or lack of experience and knowledge, unless they have been given supervision or instruction"

Warning about Transportation and Carriage

*All the materials used at package of your product are suitable for recycling.

*Please comply with the signs on the product's box during transportation.

*Hold the holders placed at sides of the box in order to carry your product.

If you need transportation;

*Keep the original box.

*Carry your product in its original box; comply with the carrying signs on the product's box.

If there is no original package;

*Do not put heavy material on the chimney hood.

*Keep the external surface from bash.

*Pack your product to avoid damages.

Installation, taking off your product from its package:

*Check if there is any deformation on your product.

*Transportation damages and failures should immediately be reported to the transportation responsible.

*If you notice any damage please report to the seller.

***Do not allow children to play with packing material!!!**

*In case of flame, cut power of the cooker hood and the cooking appliances, cover the flame. Never use water in order to extinguish it.

Use “MAX 6 A” fuse at cooker hood installation for your security.

You can decrease or increase this 15 minute setting. Simply slide your finger along the slide control bar to the left or to the right and the times is reduced or increased accordingly.

You can manually switch off the auto run-on earlier than set. To do this touch key ②

2.4_Egg timer / alarm

When using the egg timer/alarm function you are alerted at the end of the set period by an acoustic warning signal.

By touching key ② for several seconds you activate egg timer/alarm function.

To the right of the symbols are 2 digital numeric fields;the no. 5 now light up here. This means that a warning signal will be given after 5 minutes when the alarm time has been reached.

You are able to reduce or increase this 5 minute setting. Simply slide your finger along the slide control bar to the left or to the right and the time is reduced or increased accordingly.

You can manually end the alarm period set. To do this touch key ② for several seconds. When the remaining time appears with the slider, reduce this to 0 by moving to the left.

2.5_Clean grease filter warning

«WASH FILTER»



Washing grease filter

When the «WASH FILTER» symbol lights up in the screen it indicates that you must clean the grease filter cassettes

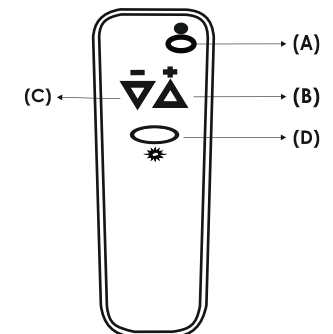
Manual cancellation of cleaning instructions «WASH FILTER»



With motor and light switched off touch key ① «Motor On/Off» for approx.5 seconds

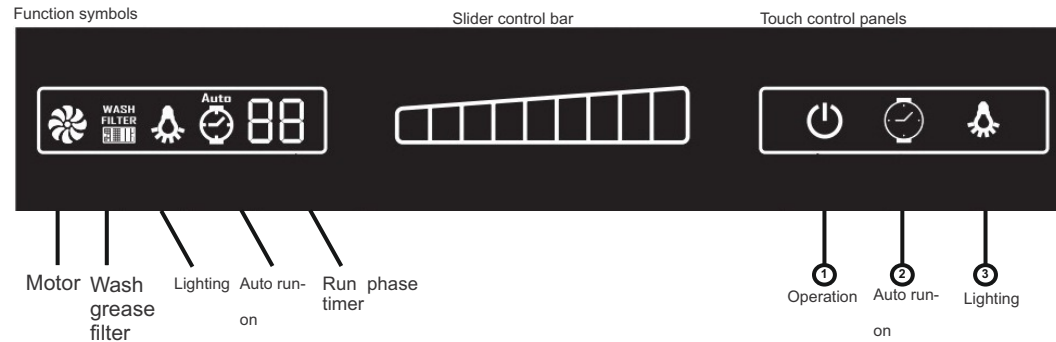
The symbol goes out. Afterwards the grease filters next operating cycle commences.

REMOTE CONTROL



- A) Motor on/off
- B) Speed down
- C) Speed up
- D) Switch lamps on/off

Slider touch control panel



The symbols tell you which functions are switched on. Using the slider control bar you can increase or reduce the sunning phase, auto run on times and alarm/egg timer function. You start the respective function on the touch control panels.

1_Switch lighting on and off

To do this:
Touch button ③ to switch light on. Touch again to switch off.

2_Operation

Select speed when starting the extractor hood. Adapt speed to level of cooking and frying fumes.

Select fan

To do this:
Touch key ① fan motor activated (level 1).
Touch key ① again to deactivate fan motor.

Adjust speed level

Slide finger on the slide control bar to the right; the speed level is increased. Slide finger to the left, the speed level is decreased. You can slide slowly or quickly; this influences the speed at which it changes.

Auto run-on 15 minutes

The auto run-on function enables residual odours and humidity still to be extracted from the kitchen for 15 minutes after switching off.

You activate the auto run-on by touching key ②

To the right of the symbols are 2 digital numeric fields; the number 15 now blinks here. This indicates that the hood fan and light will automatically switch off after 15 minutes.

Standard Accessories

Plastic Outlet (Figure 1)

Plastic outlet mounted to air outlet of the cooker hood

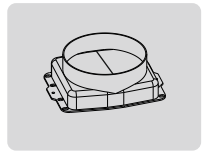


Figure 1

Place of the Product:

After installation of your product, distance between range hood and electrical hob should be at least 65 cm and gas hobs at least 75cm. Figure 2

Electric hobs 65 cm
Gas hobs 75 cm

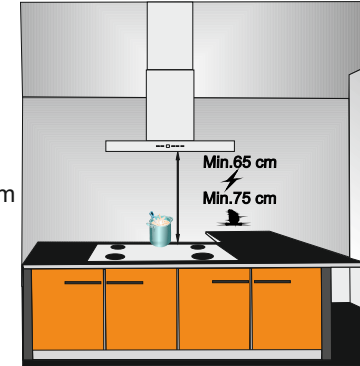


Figure 2

Installation, taking off your product from its package:

*Check if there is any deformation on your product.

*Transportation damages and failures should immediately be reported to the transportation responsible.

*If you notice any damage please report to the seller.

***Do not allow children to play with packing material!!!**

UNPACKING THE DEVICE:

Check your device for any deformation. Defects due to transportation must immediately be reported to the transportation agent. Faults detected must also be informed to the seller. Do not allow your children to play with the packing materials.

ISLAND HOOD ASSEMBLY

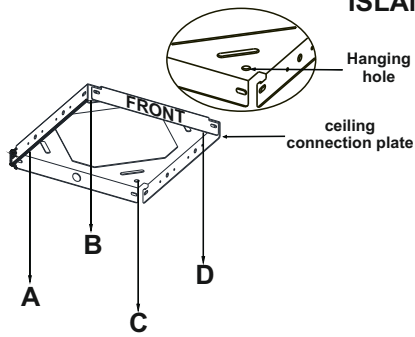


Figure 3

Please follow below instructions.

Installation of ceiling connection plate : Front sticker (figure 3) on ceiling connection plate and control panel of chimney hood should have the same direction.

- 1) Drill 10mm holes from A,B,C,D points.
- 2) Drive 10mm wall plugs in to A,B,C,D holes.
- 3) Fix ceiling connection plate to ceiling by using 4 screws (5,5 x 45). Wall plugs, screws and ceiling connection plate are given with chimney hood. Picture 3

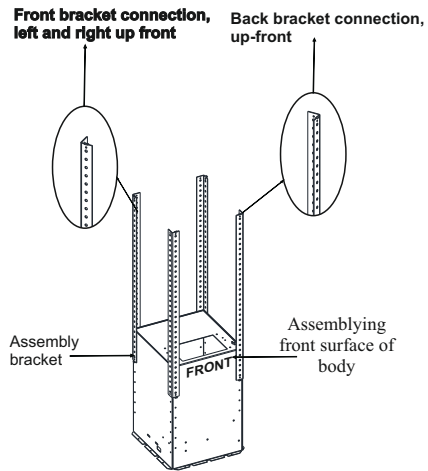


Figure 4

Installation of cornerpieces:

Front sticker (picture 4) shows where front side of chimney hood should be installed. Front cornerpieces should be left and right directions. Back cornerpieces should be extroverted. Screw 4 cornerpieces to motor block. Hanging bar should have same directions with ceiling connection plate. Regulating the length of chimney hood with these cornerpieces. Figure 4

Installation of chimneys to motor cabinet:

Please put internal chimney in external chimney. For temporary connection between chimneys please use a screw on motor cabinet. (So chimneys won't drop while you install motor cabinet to ceiling connection plate.) Mount the chimneys on this screw. (Screw holes of internal chimney should befit the side of motor cabinet.) Figure 5

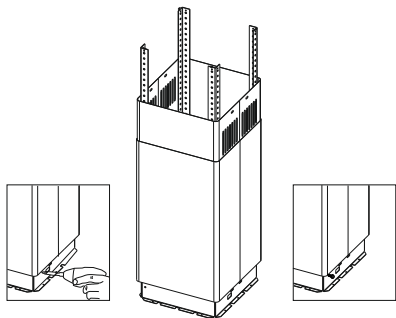

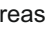
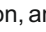



Figure 5

Usage of 5 Speed Digital Control

Usage

Remove protective folio on the inox product after installation.



Speed Selection The product has 5 speeds of ventilation level. One of 1,2,3,4,5 speeds is selected in accordance with steam of cooking or fry. Motor is started pressing  control button on the front panel. Speed is increased pressing  button, and decreased by pressing  button. Automatic timer (TIMER) is available at the models with electronic remote control. When you press  button more than 2 seconds, timer function will be on for 15 minutes. When the timer is on, Display will signal and the motor will be off automatically 15 minutes later. Please use the cooker and the product at the same time to enable circulation. Doing so, air suction power will be affected positively. We recommend you to operate your product for few minutes more after the cooking is completed to enable absorption rest of smell and steam.



Illumination

Please use the illumination button on the control panel to command the lights ..

Cleaning Periods of the Aluminum Filters:

Filters should be cleaned when C signal appears on Display or (according to usage) each 2-3 weeks. In order to remove C signal, after the filters are cleaned and replaced to their place, press  button more than 3 seconds (when the product is at off position). Letter "E" will appear on Display and the product will operate as normal. If you would like to continue using the product without deleting C signal, when you press the  button active speed will appear for 1 second, then C signal will appear once more and the motor will continue operating.

NOTE: C signal will appear after usage of the product for 60 hours.

Replacing Carbon Filters

Unplug product's power cord before changing carbon filter. Carbon filters should be replaced in every 3-5 months as product is operated in kitchens with no air outlet. You should use oil (aluminum cassette) filter all the times with our without carbon filter.

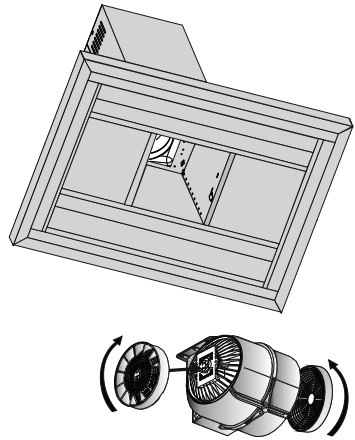


Figure 13

Changing Aluminum Cassette Carbon Filter

In order to take the carbon filter off, pull it towards yourself holding the upper latch. Figure 14

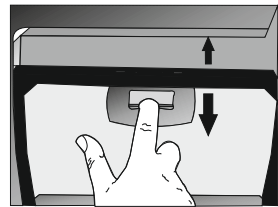
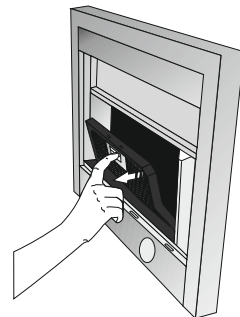


Figure 14



Replacing Carbon Filter

It is necessary to install 2 carbon filters to your product.

To place the carbon filter, place your filter on connection channels on motor and turn it clockwise.

In order to remove filter, turn it anti-clockwise. Figure 13

Placing Motor Cabin to Hanging Bar

Place fixed hanging sticks on hanging bar through the channels. Fix parts together via 3,5x9,5 screws Figure 6

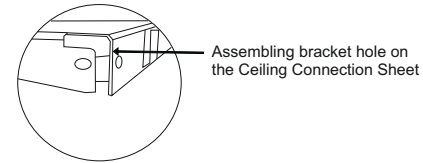
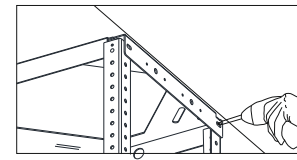


Figure 6

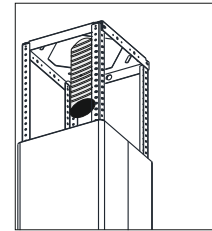


Figure 7

Installing Aluminum Flexible Pipe

Connect aluminum flexible pipe to outlets on the product and kitchen wall. Ensure connection will not lose while your product is operated on maximum airflow level (Figure 7).

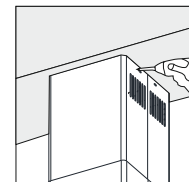
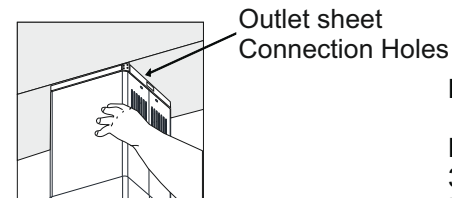


Figure 8

Fixing Internal Chimney

Pull internal chimney up, align holes and fix by 3,5x9,5 nickel coated screws as shown in Figure 8.

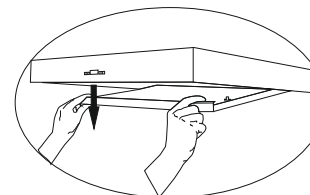


Figure 9

Removing Split Extraction Plate

To remove split extraction plate, hold right and left top points and pull down. Figure 9

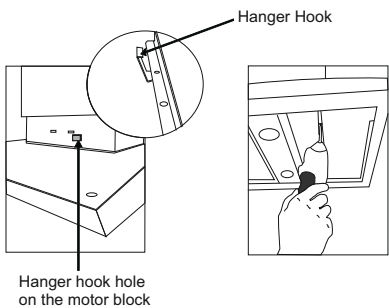


Figure 10

Fixing Motor Cabin on Product Body

Place hanging hooks on product body onto channels on motor cabin. Fix them together with 3,5x9,5 screws Figure 10

Making Connections

Connect 220V power supply socket with corresponding motor socket. Place aluminum cassette filters when connections are done. Figure 11

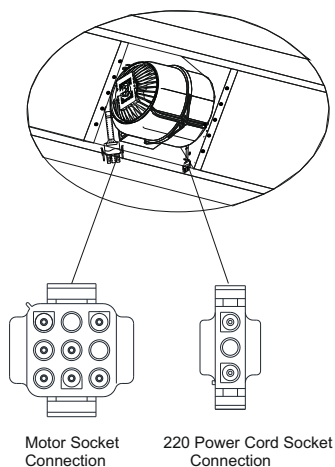


Figure 11

Upon mounting, make connections as shown in Picture to activate use of control panel.

For connection, first set latches outwards. Latches shall be locked once connection is made. Figure 11a

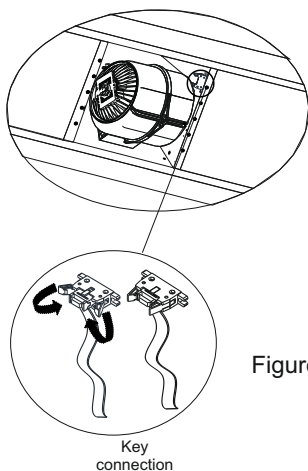


Figure 11a

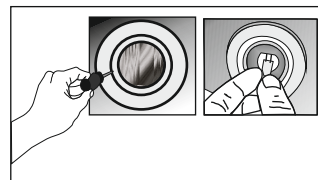


Figure 12

Replacing 20W Halogen Lamps

Take off the glass cover on the lamp with a substance that will not scratch surface of the product as shown on the figure. Take off the faulty lamp pulling it downwards and replace it with a new one. Figure 12

Note: Do not hold the new lamp with naked hand, sweat or wetness of your hand will cause the lamp to fail because of the heat that will occur when the lamp is on.

Functions of the Product

Your hood is compatible for use with our without chimney.

Usage with chimney

The product should be connected to a chimney that will direct the air out during usage with chimney. In order to achieve best performance, pay attention that the duct system follows the shortest way for connection to the chimney. Your product is produced as it will be appropriate for usage with chimney.

Attention!!!

Outlet of the product should not be connected to air canals that have other smoke as well.