



- EN** Instruction on mounting and use
- IT** Istruzioni di montaggio e d'uso
- FR** Prescriptions de montage et mode d'emploi
- DE** Montage- und Gebrauchsanweisung
- ES** Montaje y modo de empleo
- PT** Instruções para montagem e utilização
- NL** Montagevoorschriften en gebruiksaanwijzingen
- PL** Instrukcja montażu i obsługi
- EL** ΟΔΗΓΙΕΣ ΣΥΝΑΡΜΟΛΟΓΗΣΗΣ ΚΑΙ ΧΡΗΣΗΣ
- TR** Montaj ve kullanım talimatları
- RU** Инструкция по монтажу и эксплуатации
- UK** Інструкція з монтажу і експлуатації
- KK** Монтаждау мен пайдалану нұсқауы
- AR** الطرق التركيب والاستعم



EN WATCH THE INSTALLATION VIDEO
IT GUARDA IL VIDEO DI INSTALLAZIONE
FR REGARDEZ LA VIDÉO D'INSTALLATION
ES MIRA EL VÍDEO DE INSTALACIÓN
DE SEHEN SIE SICH DAS INSTALLATIONSVIDEO AN
PL OBEJRZYJ FILM MONTAŻOWY
RU СМОТРИТЕ ВИДЕОРУКОВОДСТВО ПО УСТАНОВКЕ



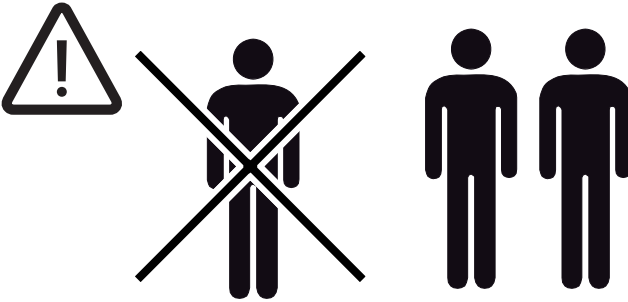
Download a
QR Code Reader app

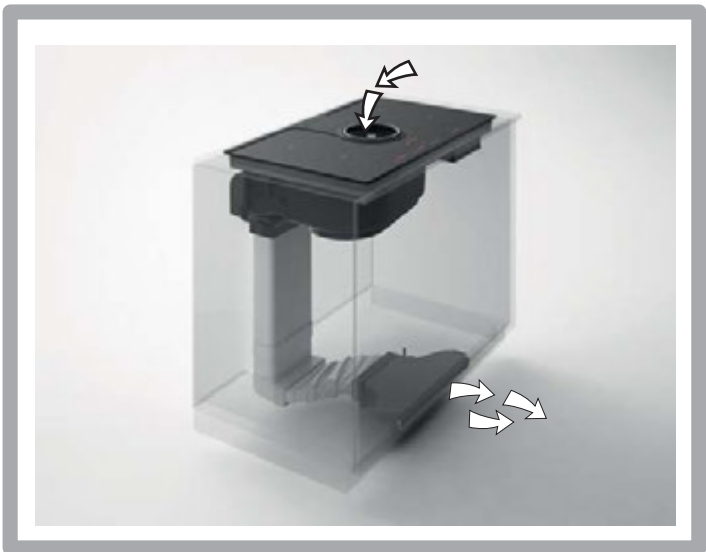
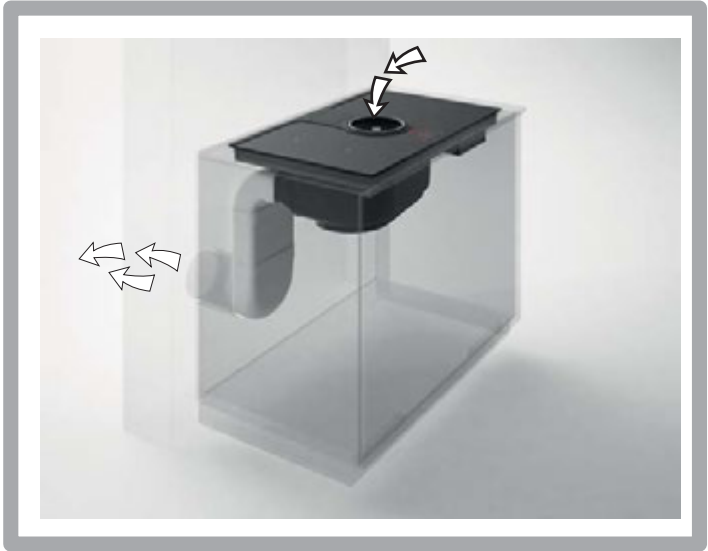


Scan QR code



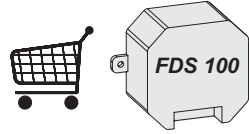
Watch the video







1x



2x

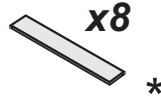


1x

2,8 m



4x



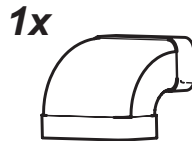
x8

*

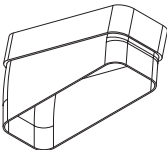


x4

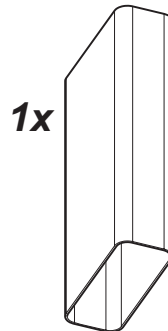
*



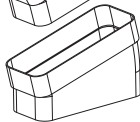
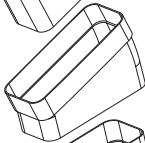
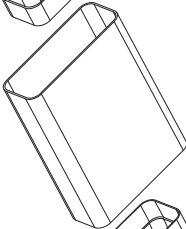
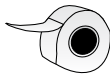
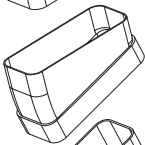
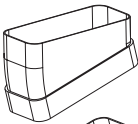
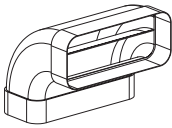
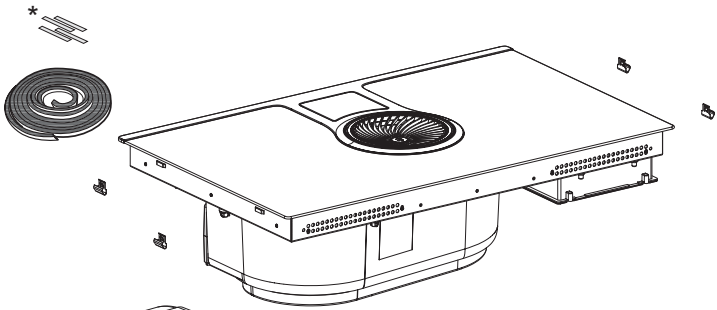
1x



4x



1x



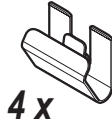


1x

1x



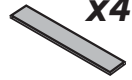
2,8 m



4x



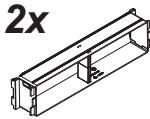
x8



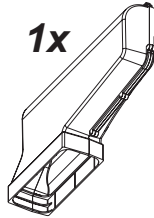
x4

*

*



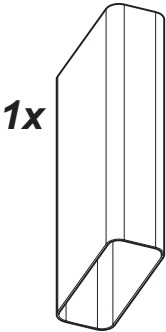
2x



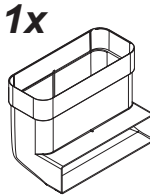
1x



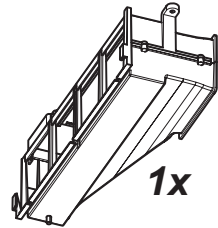
2x



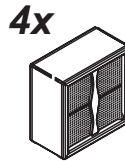
1x



1x



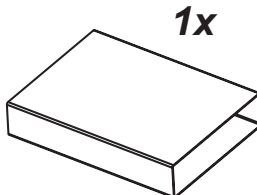
1x



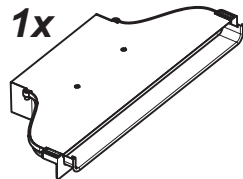
4x



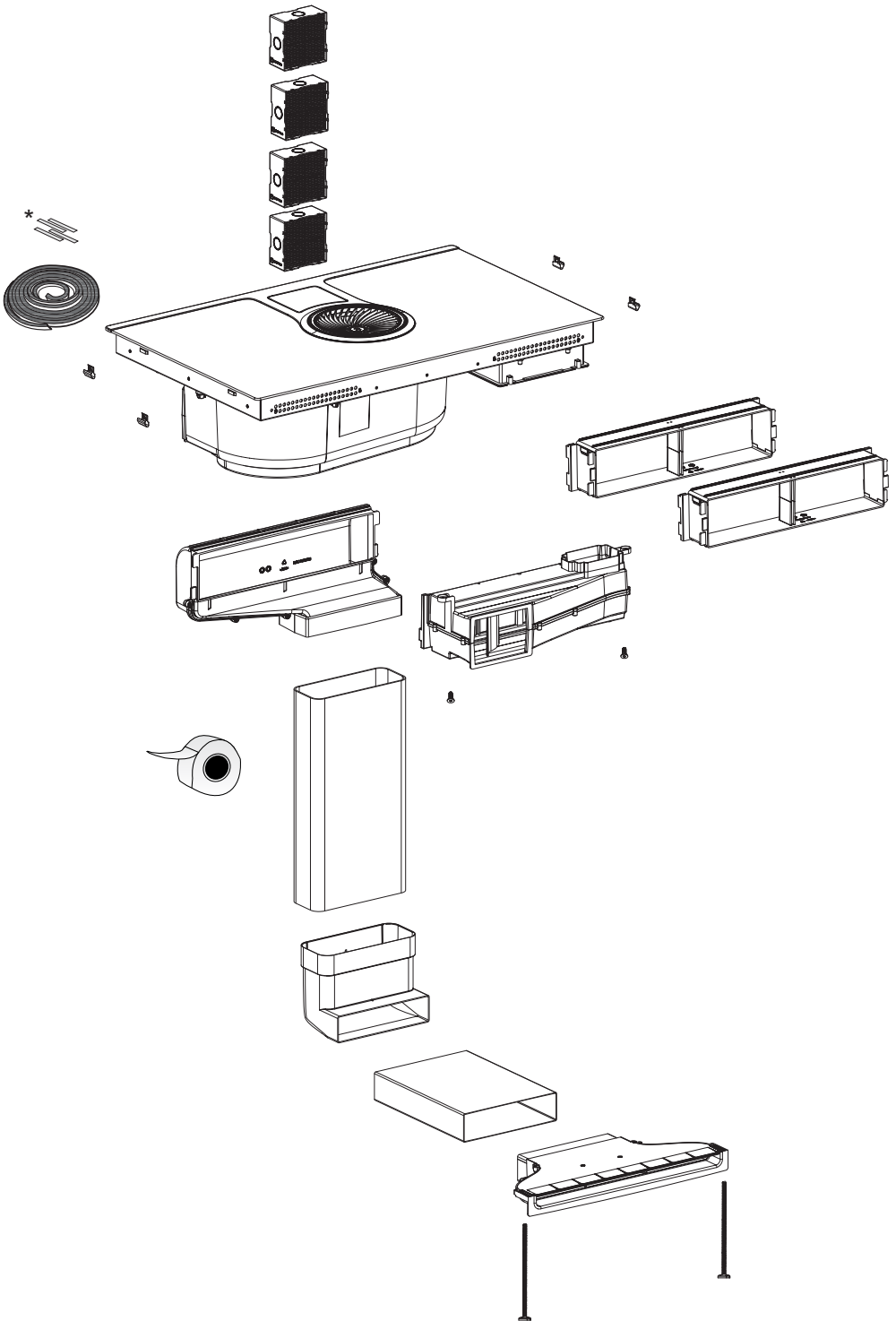
2x



1x

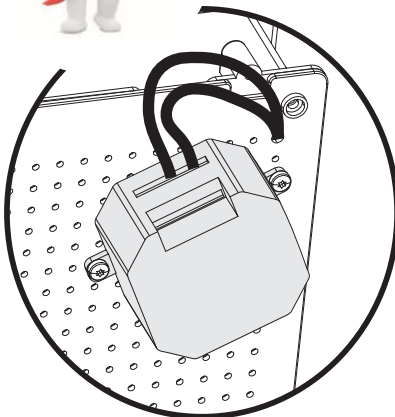
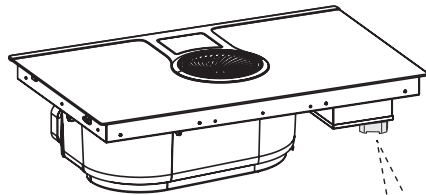
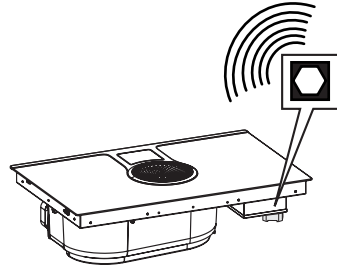
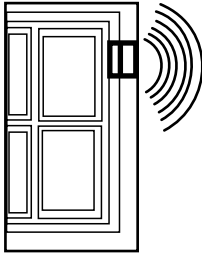


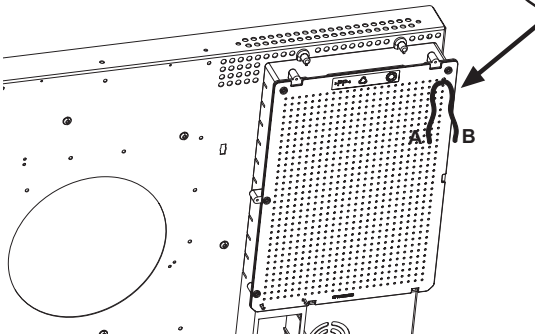
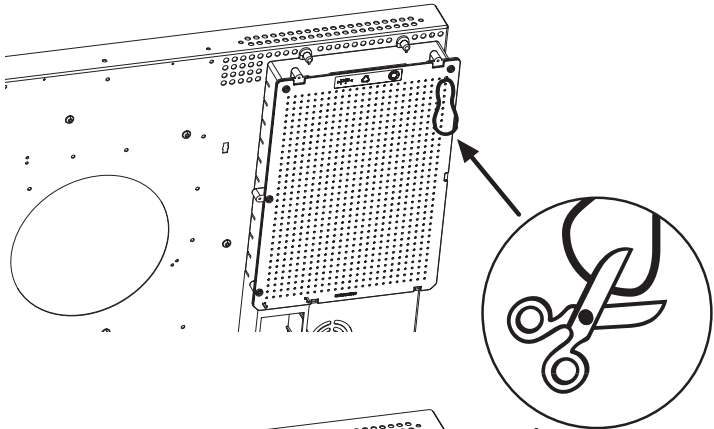
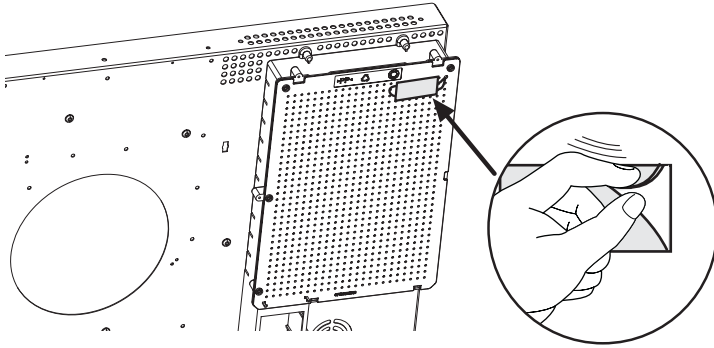
1x

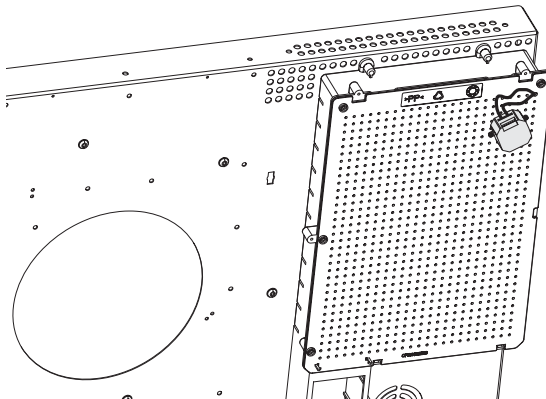
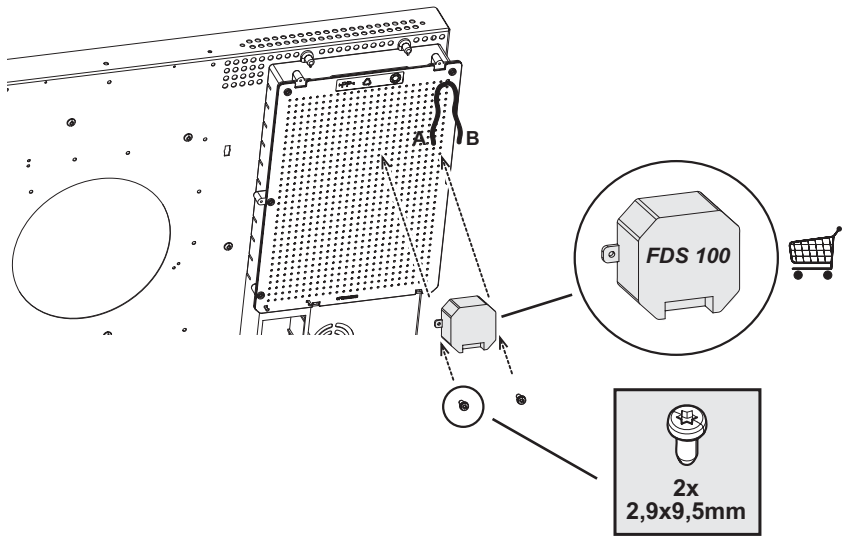




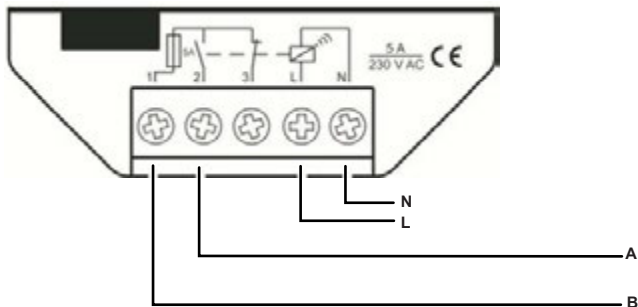
KIT FDS 100

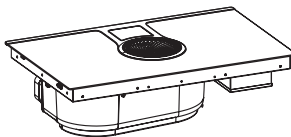
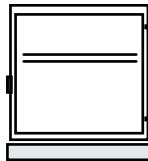
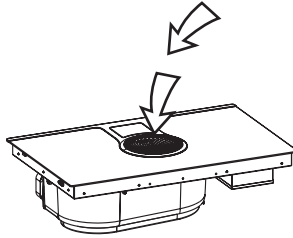
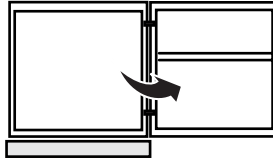


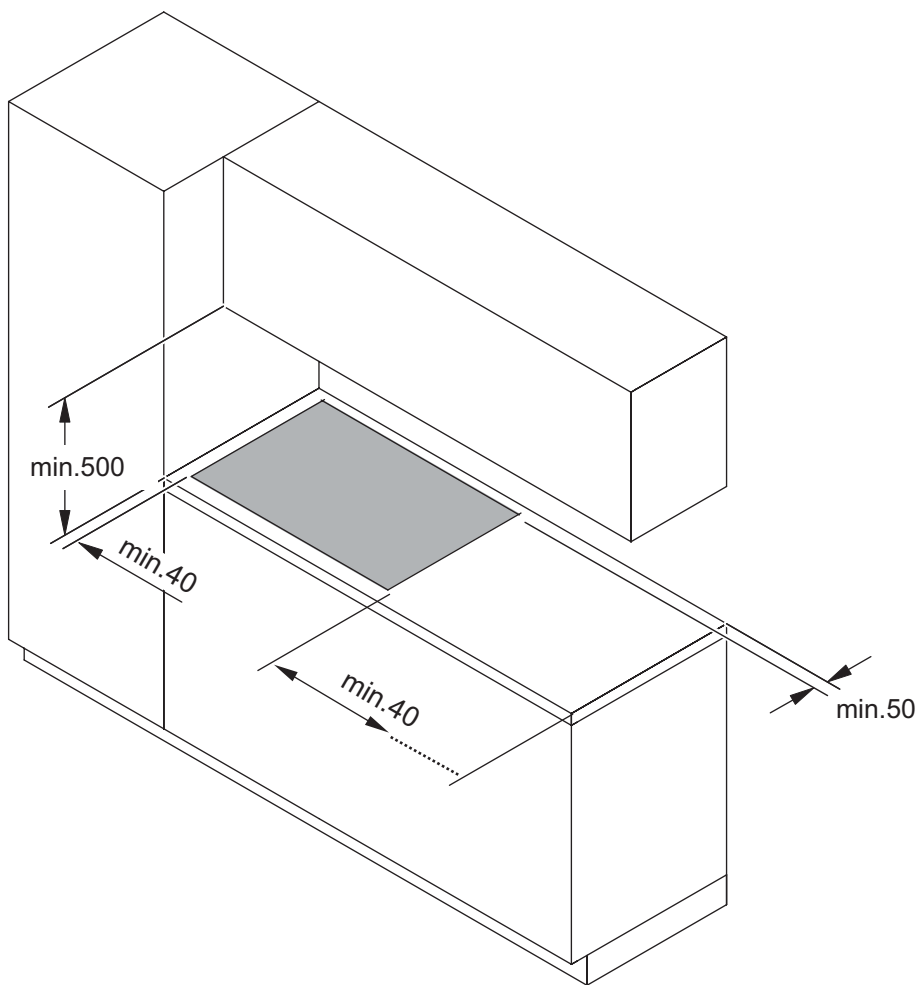




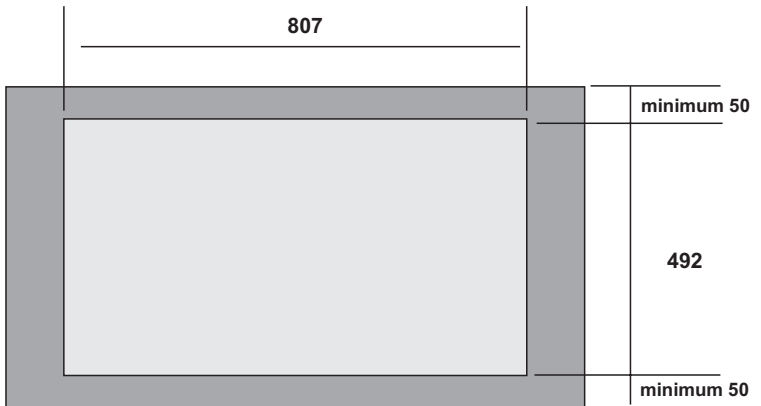
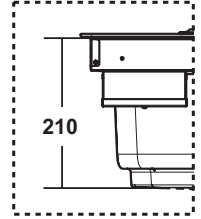
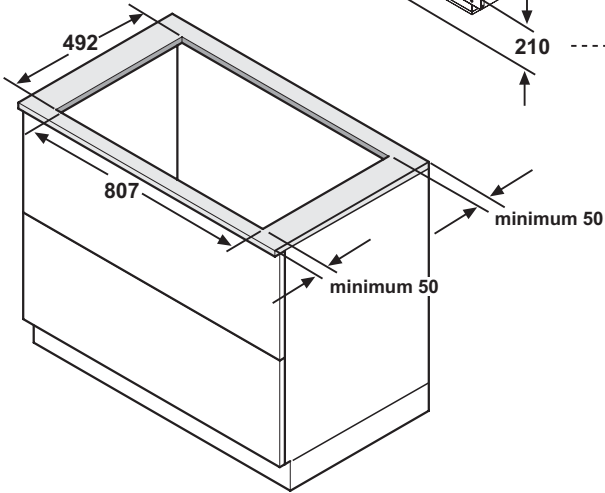
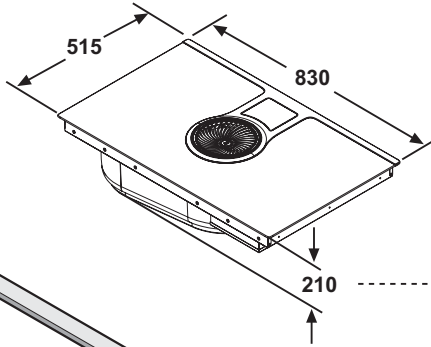
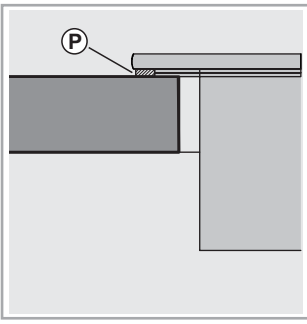
FDS100



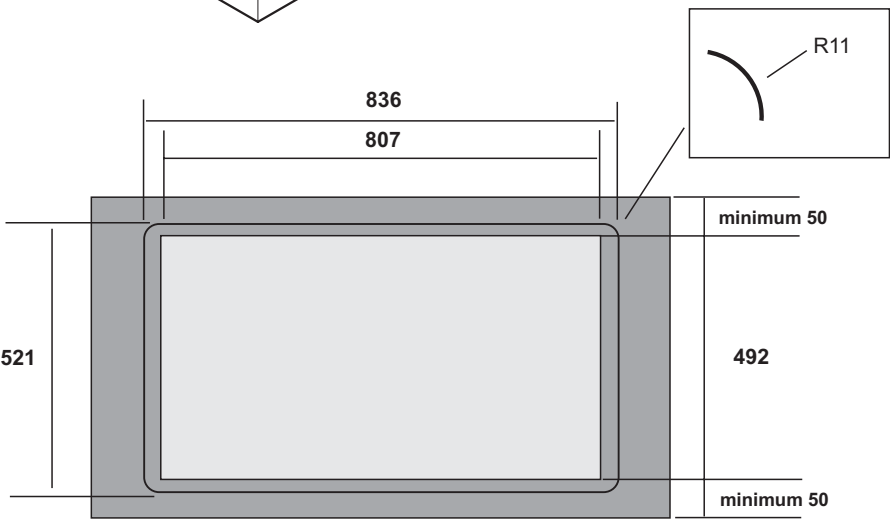
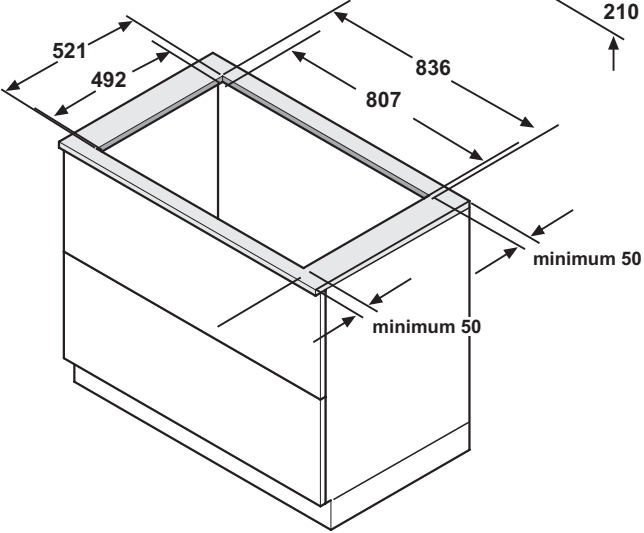
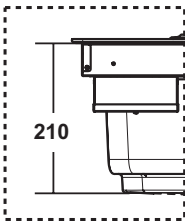
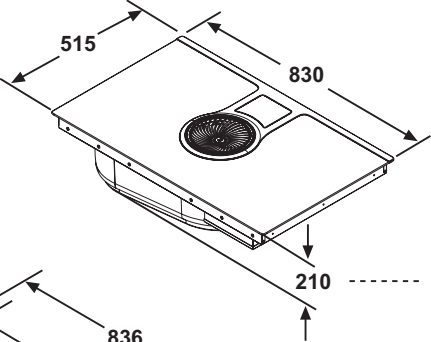
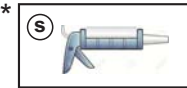
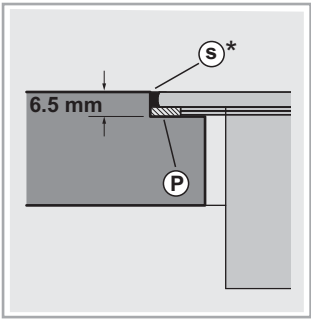


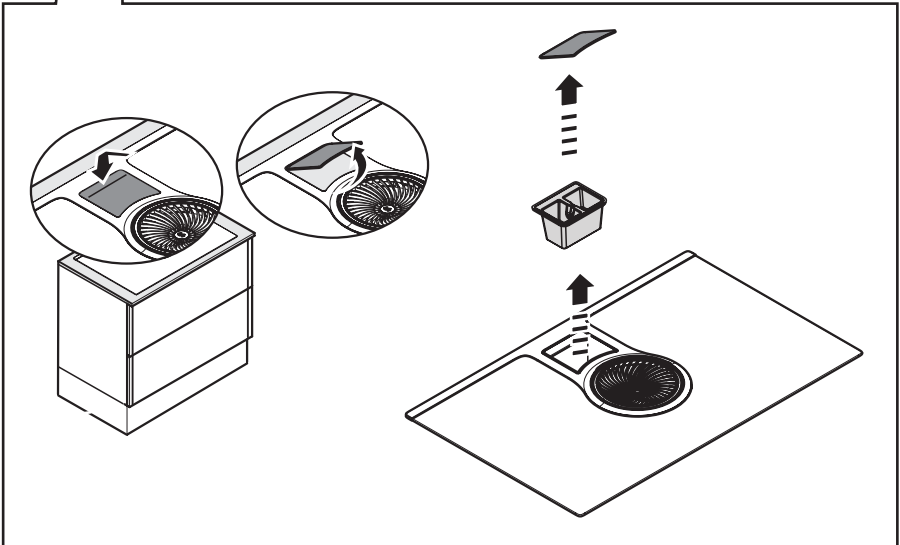
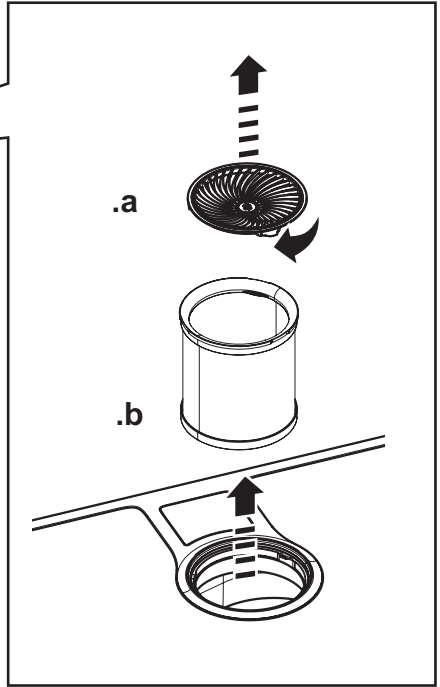
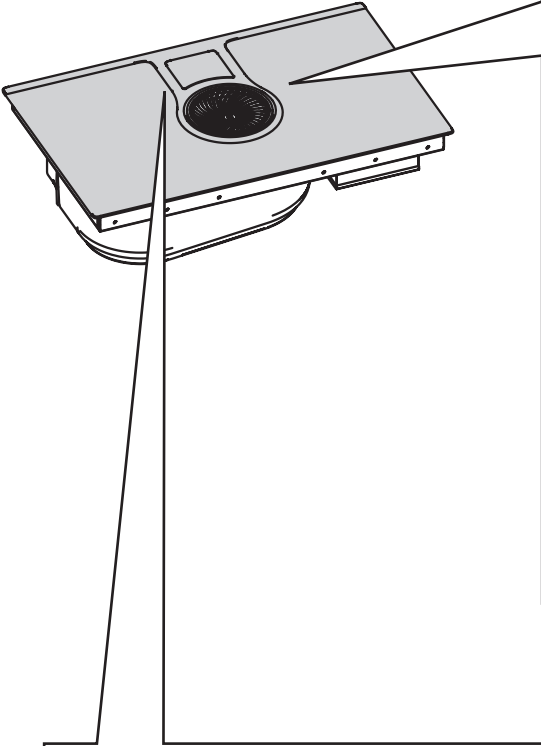


inst. **A**

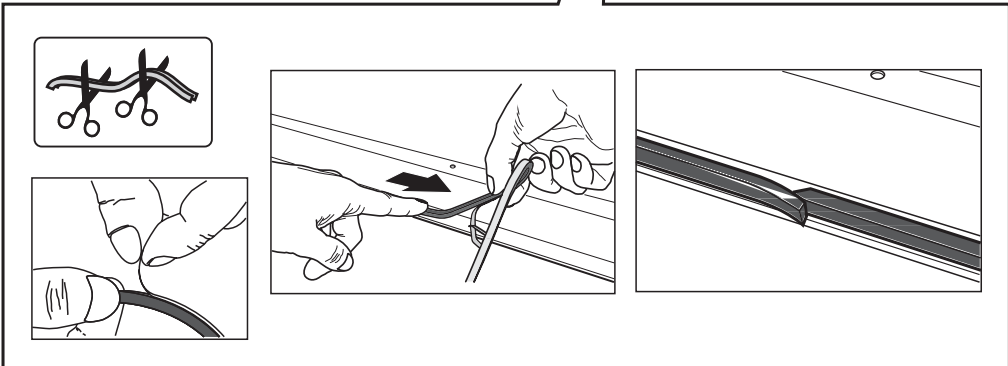
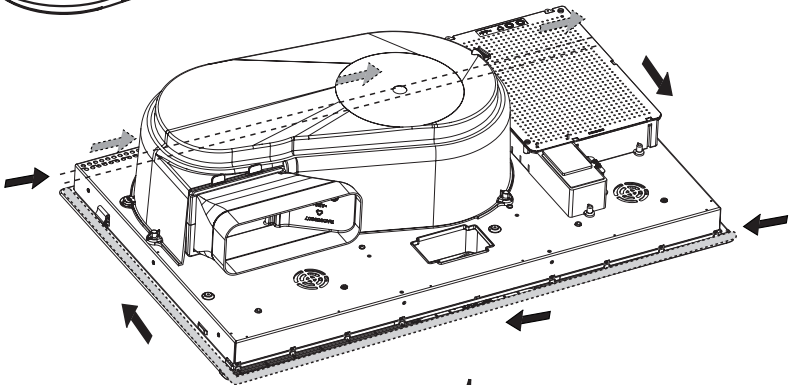
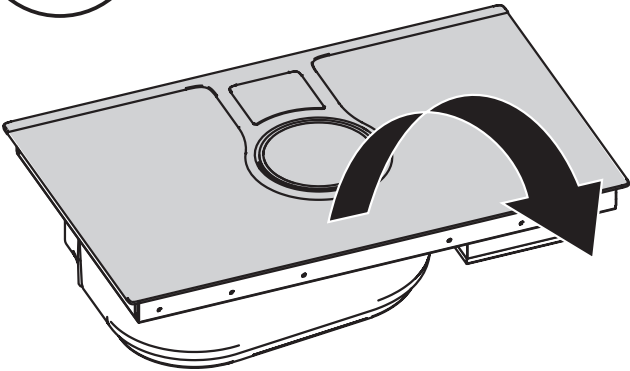


inst. **B**

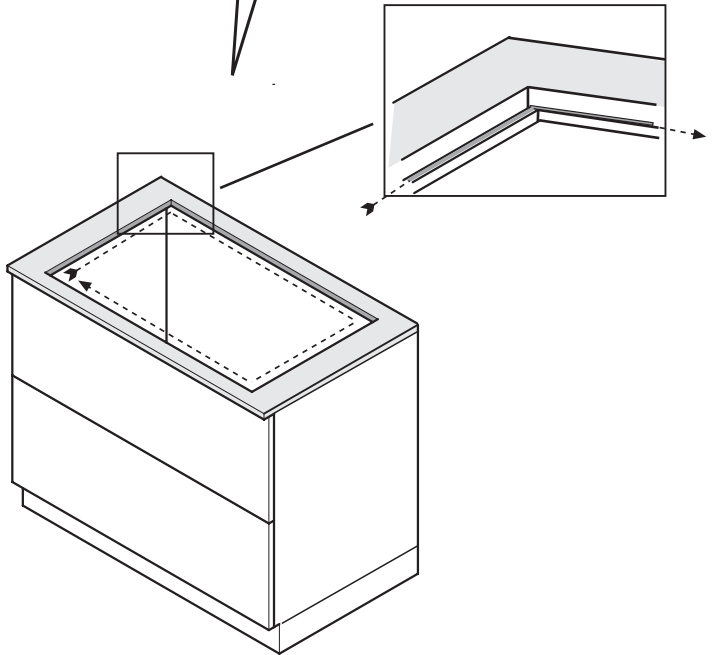
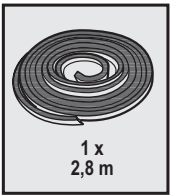
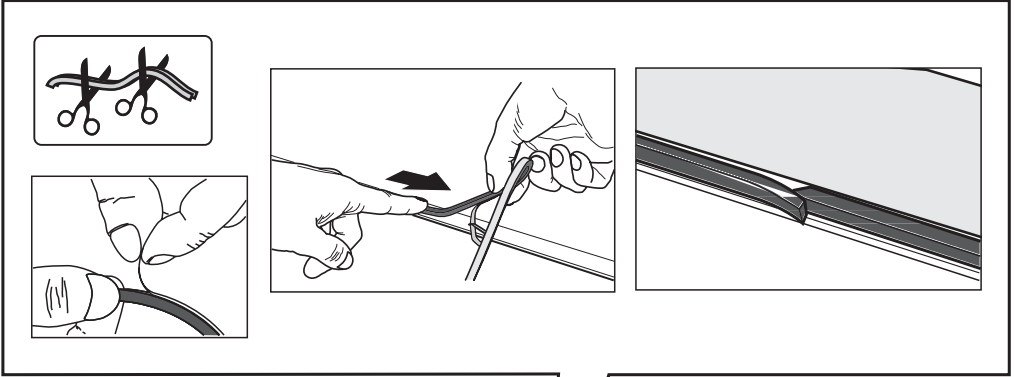




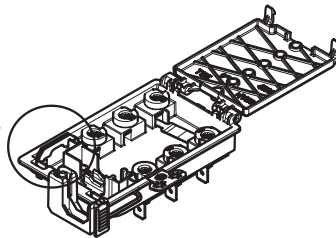
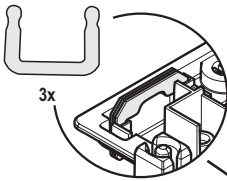
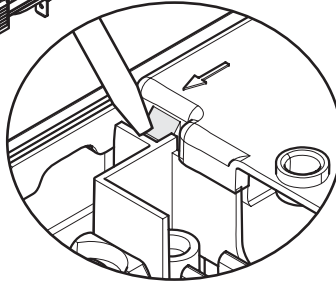
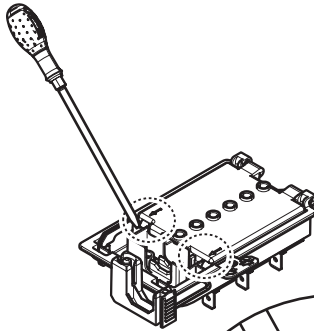
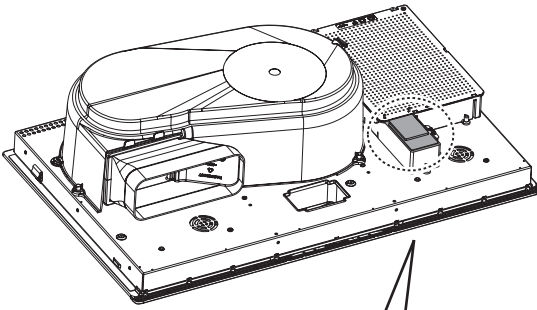
inst. **A**



inst. **B**

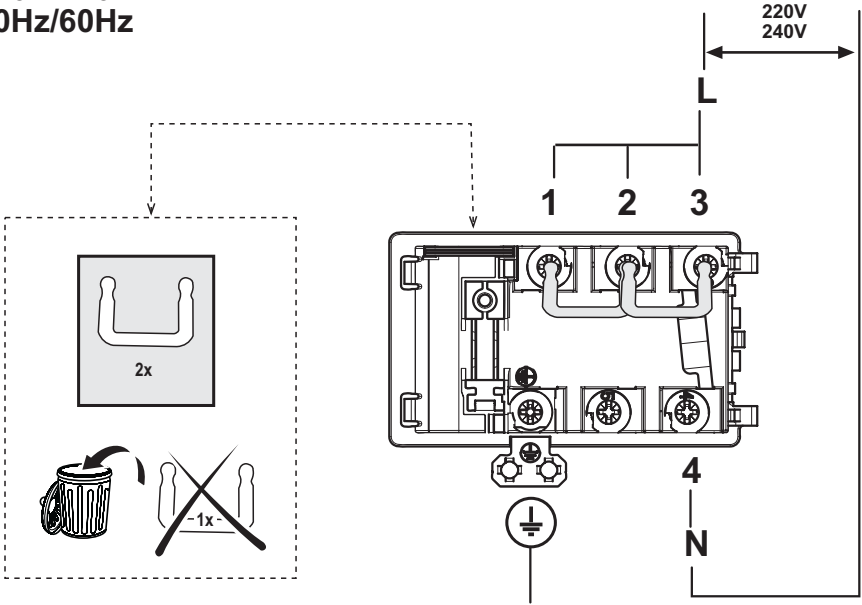


3



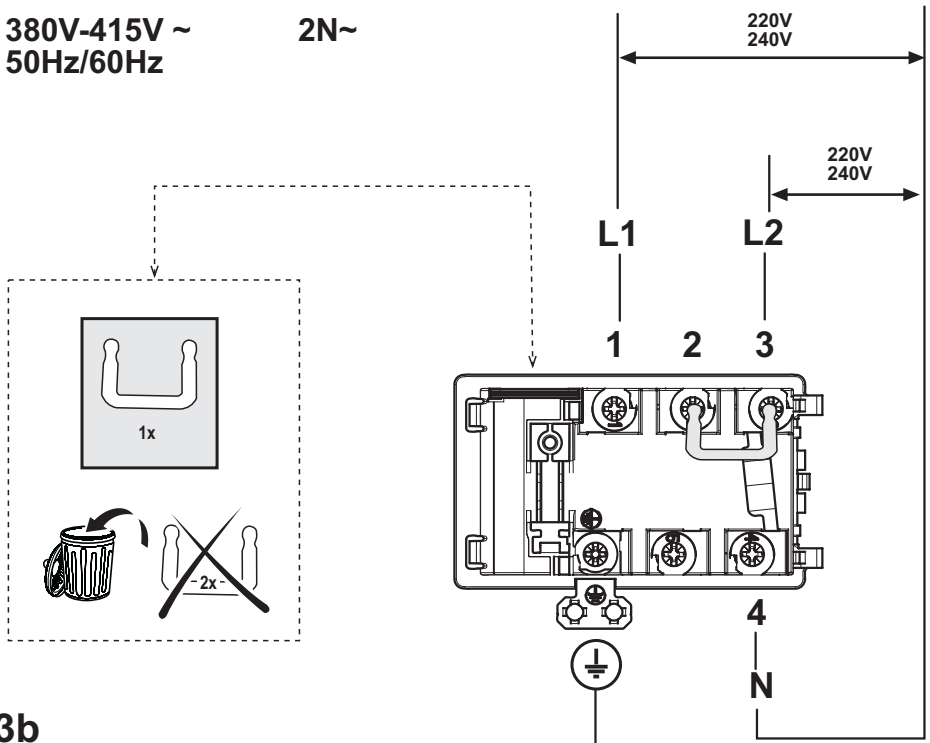
3a

220V-240V ~
50Hz/60Hz



380V-415V ~
50Hz/60Hz

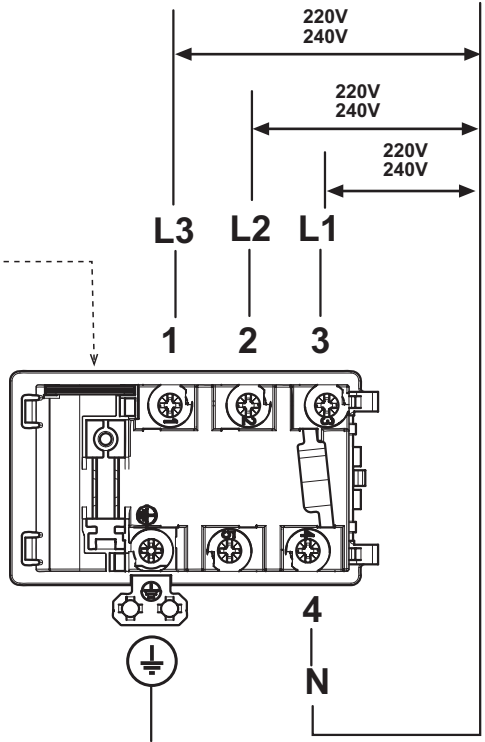
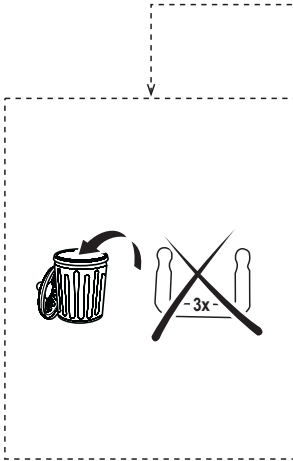
2N~

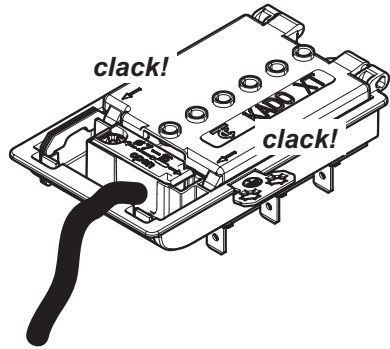
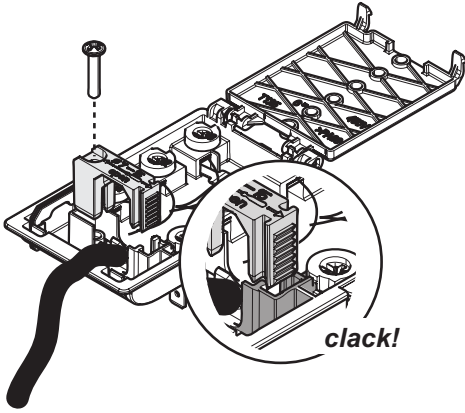


3b

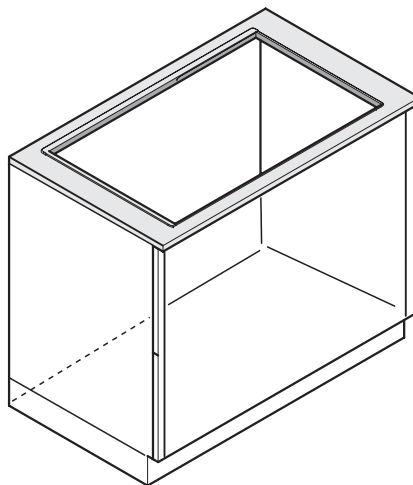
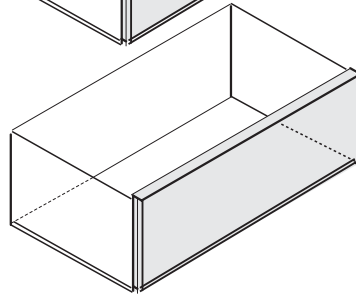
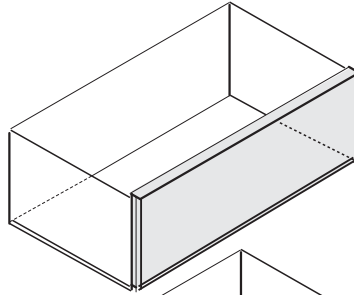
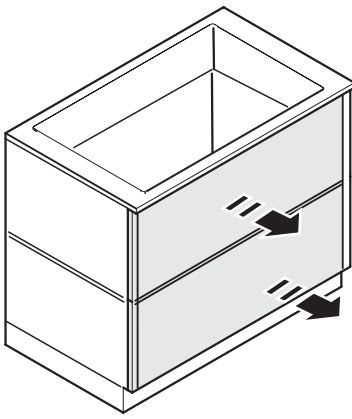
380V-415V ~
50Hz/60Hz

3N~

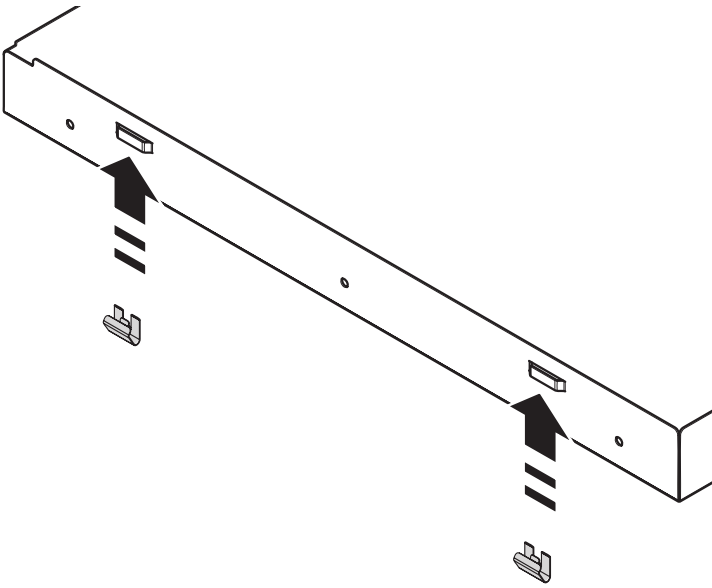
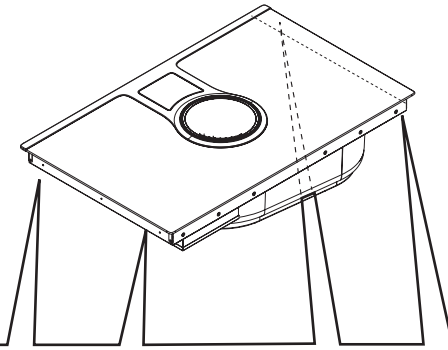
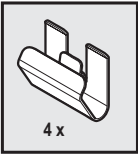




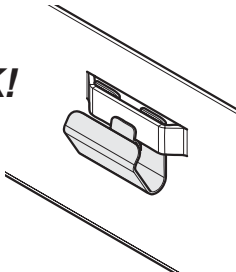
3c

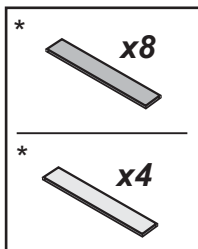


OK!

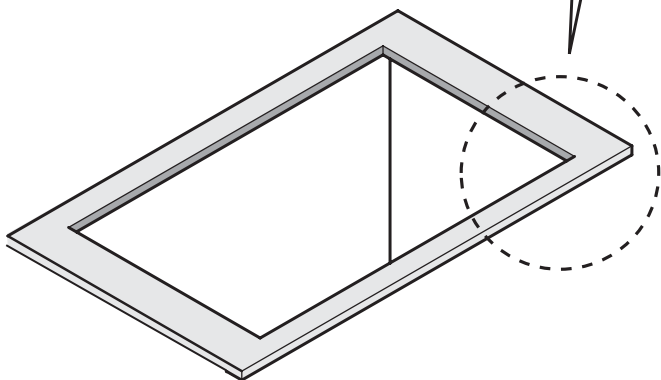
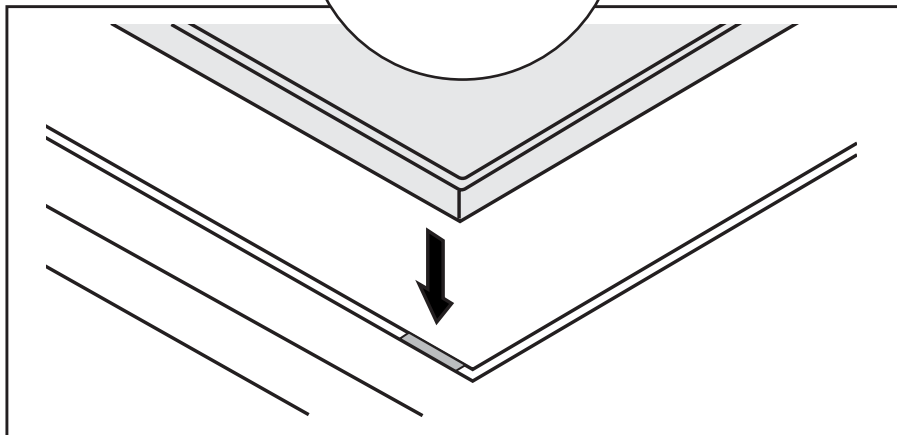
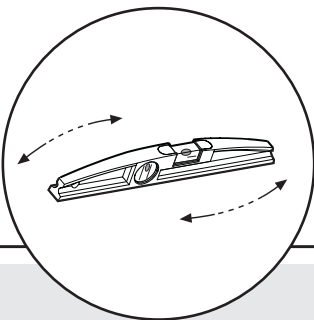


OK!

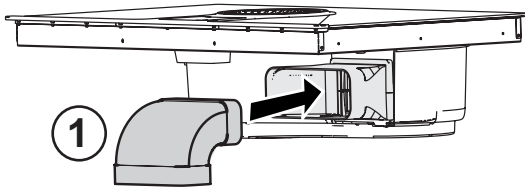




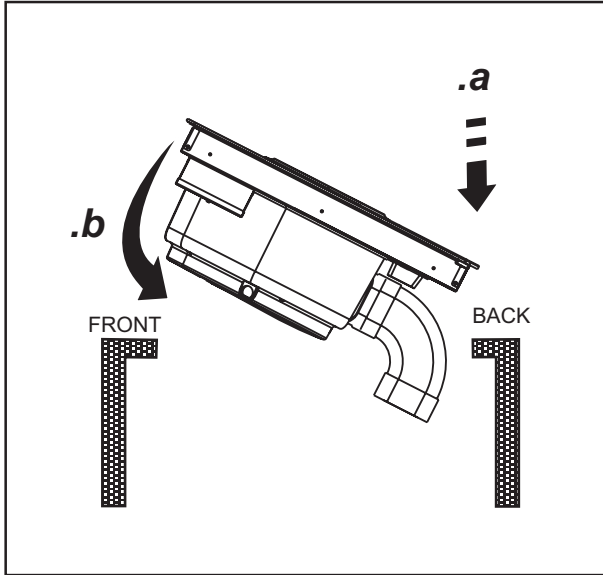
inst. **B**



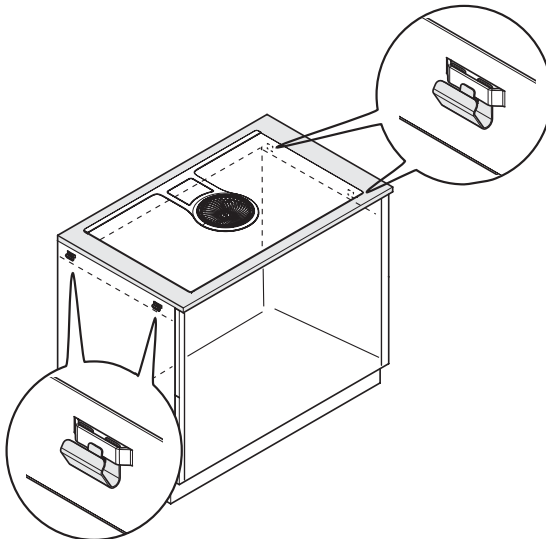


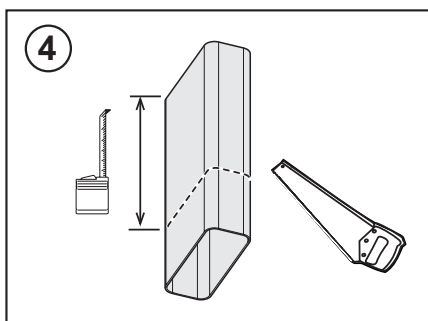
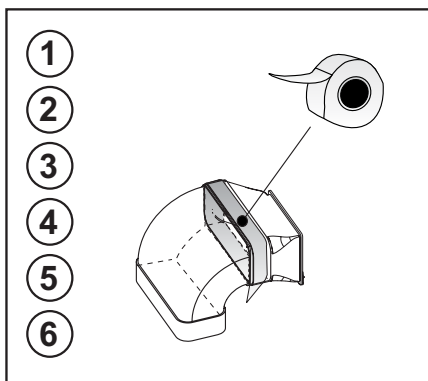
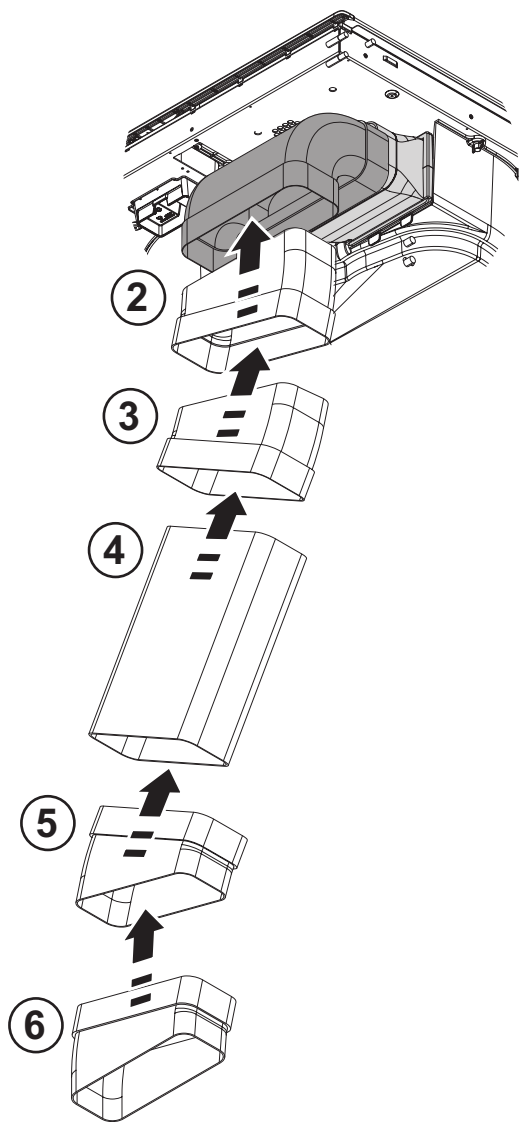


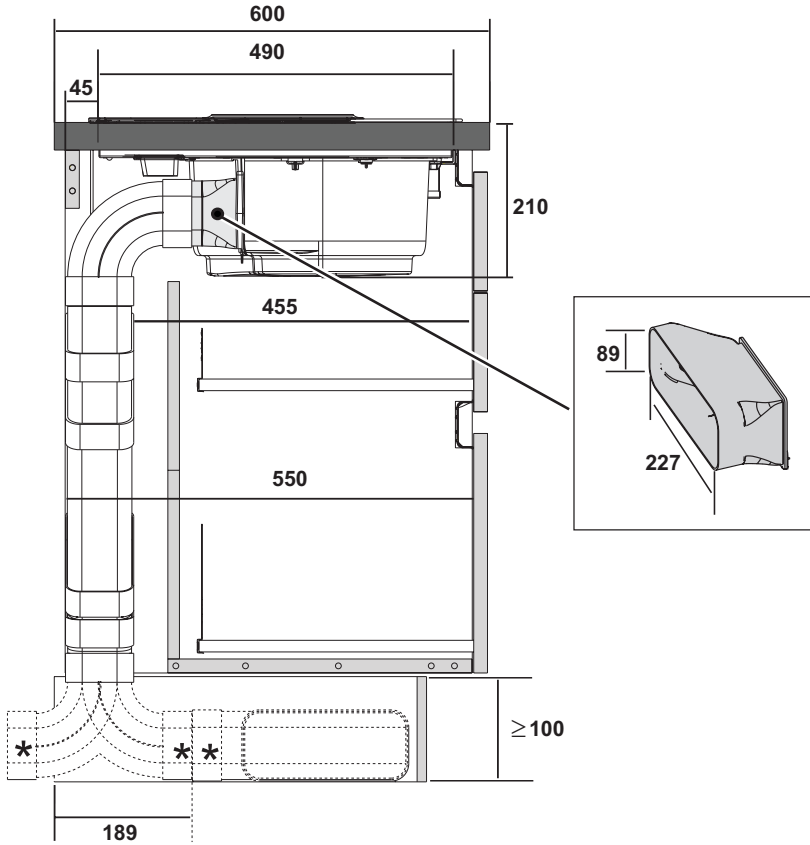
7a.1

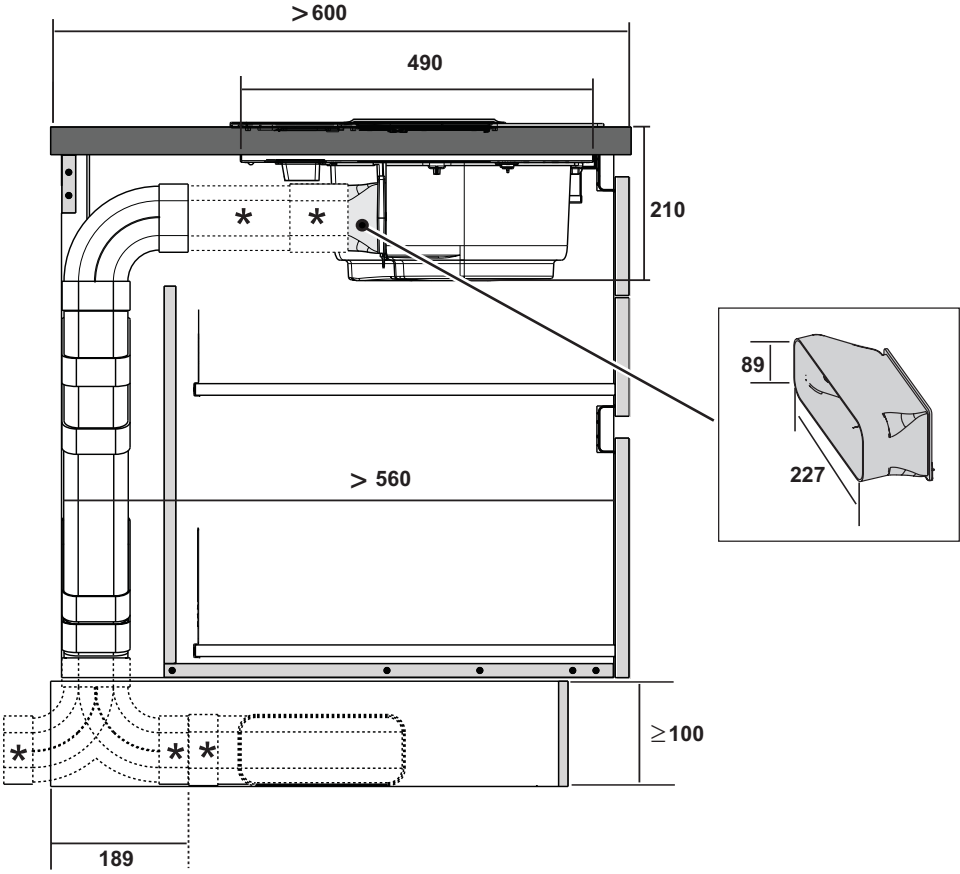


7a.2











KIT0121007



227x94 - Ø146mm

KIT0120996



Ø150x500mm

KIT0121000



Ø150x1000mm

KIT0121003



Ø158x59mm

KIT0121006



90°

KIT0120991



222x89x1000mm

KIT0121001



227x94x80mm

KIT0121004



90° 227x288x94mm

KIT0121005



90° 227x94mm

KIT0121008



227x94 - Ø153mm

KIT0121010



190x190 - Ø147mm

KIT0121009



INT 216X82mm
EXT 290X160mm

KIT0121002



15° - 227x94mm

KIT0126810

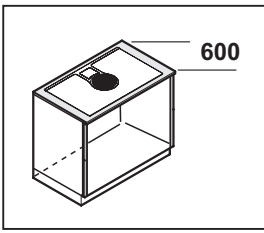


227x94mm

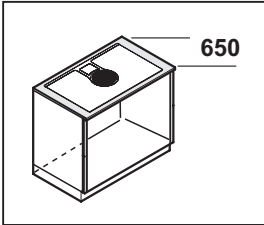
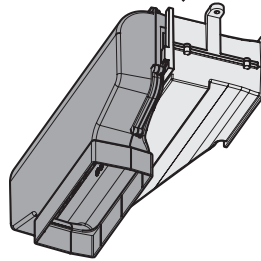
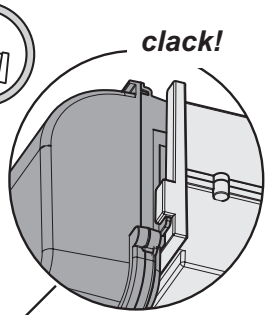
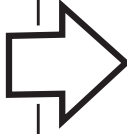
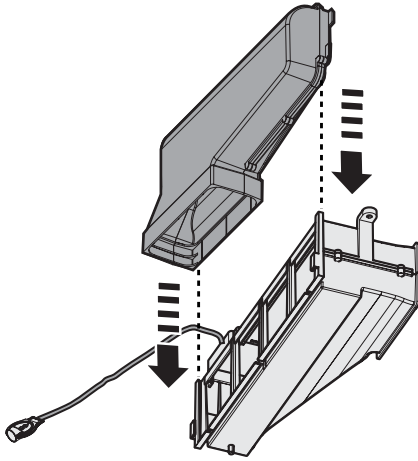


www.elica.com
www.shop.elica.com

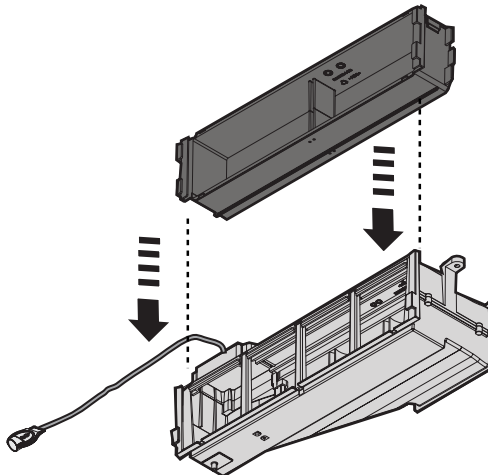


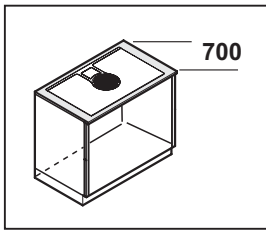


9.1

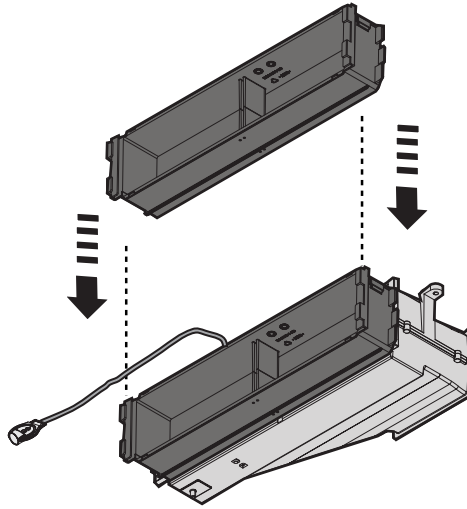


9a.1.2

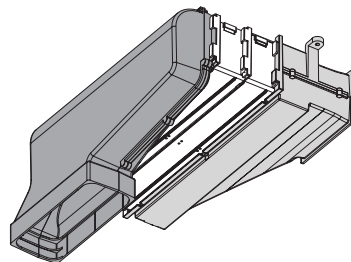
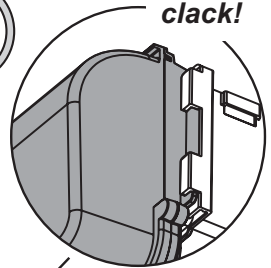
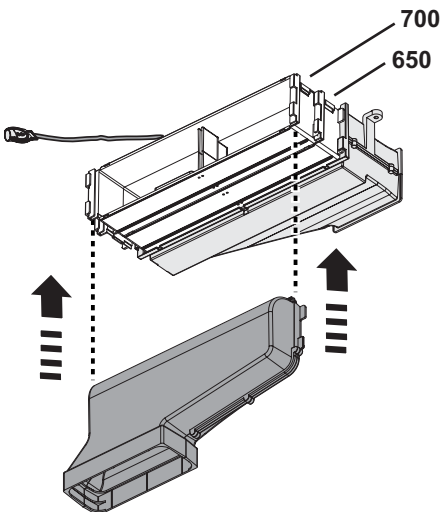





9a.1.3

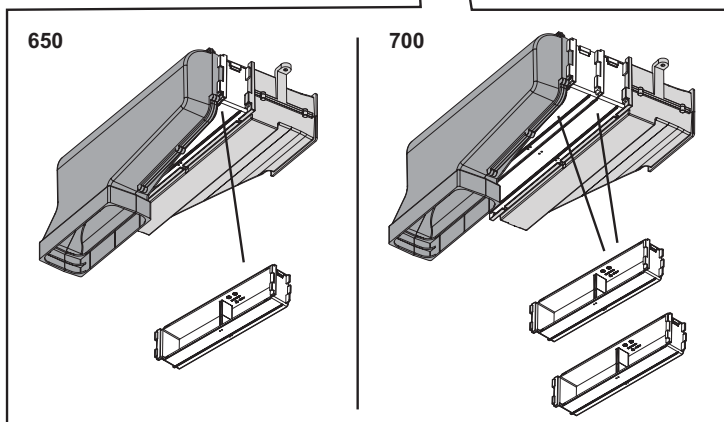
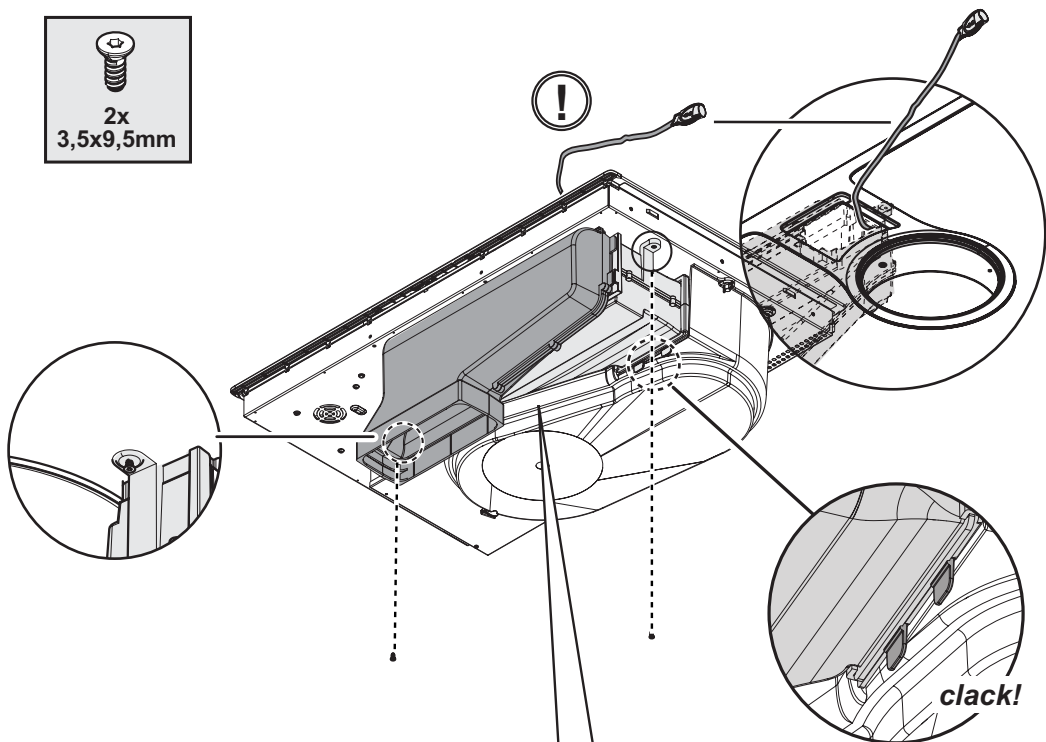


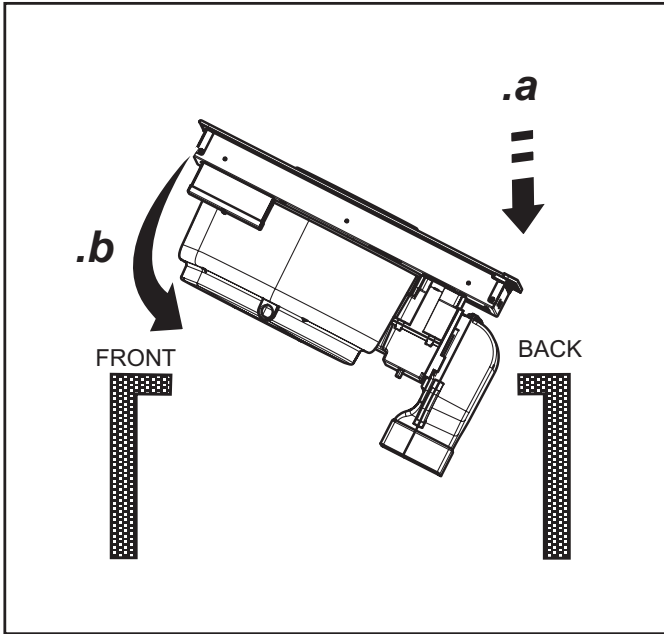
9.2



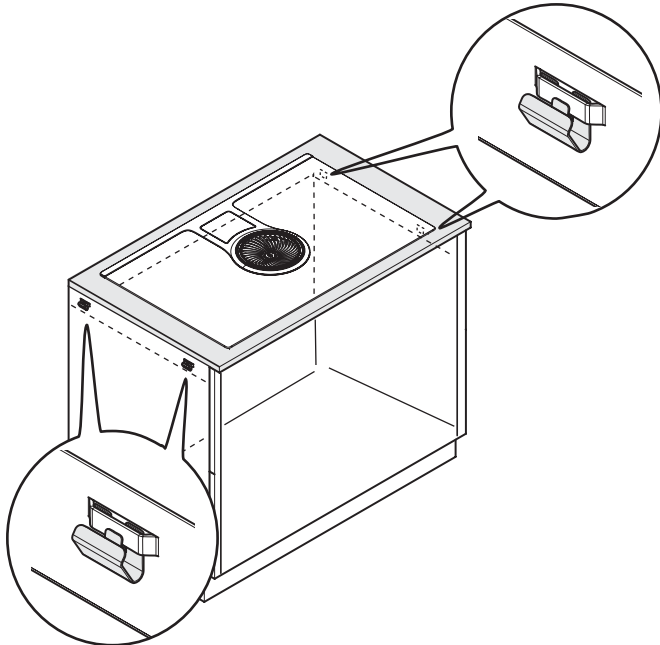
9.3


2x
3,5x9,5mm

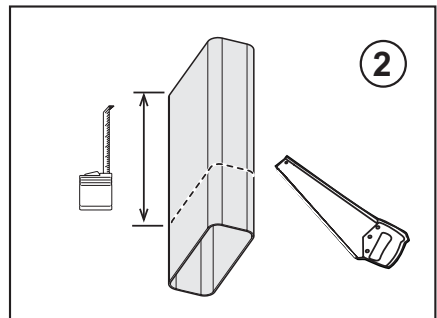
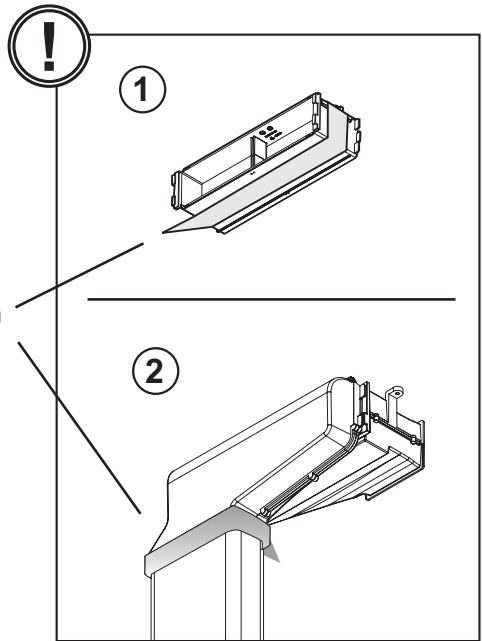
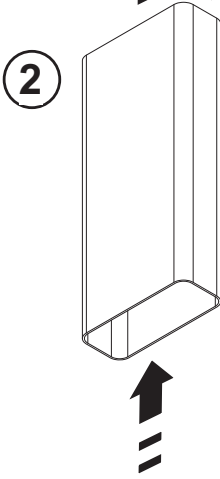
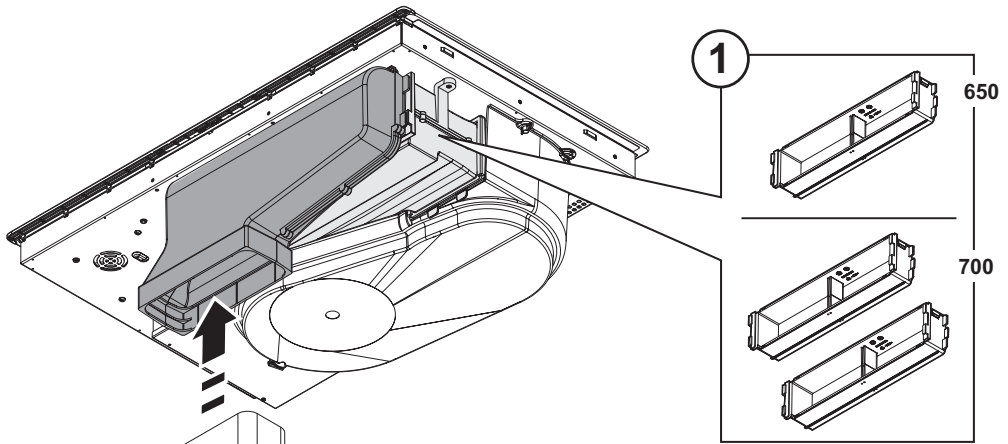


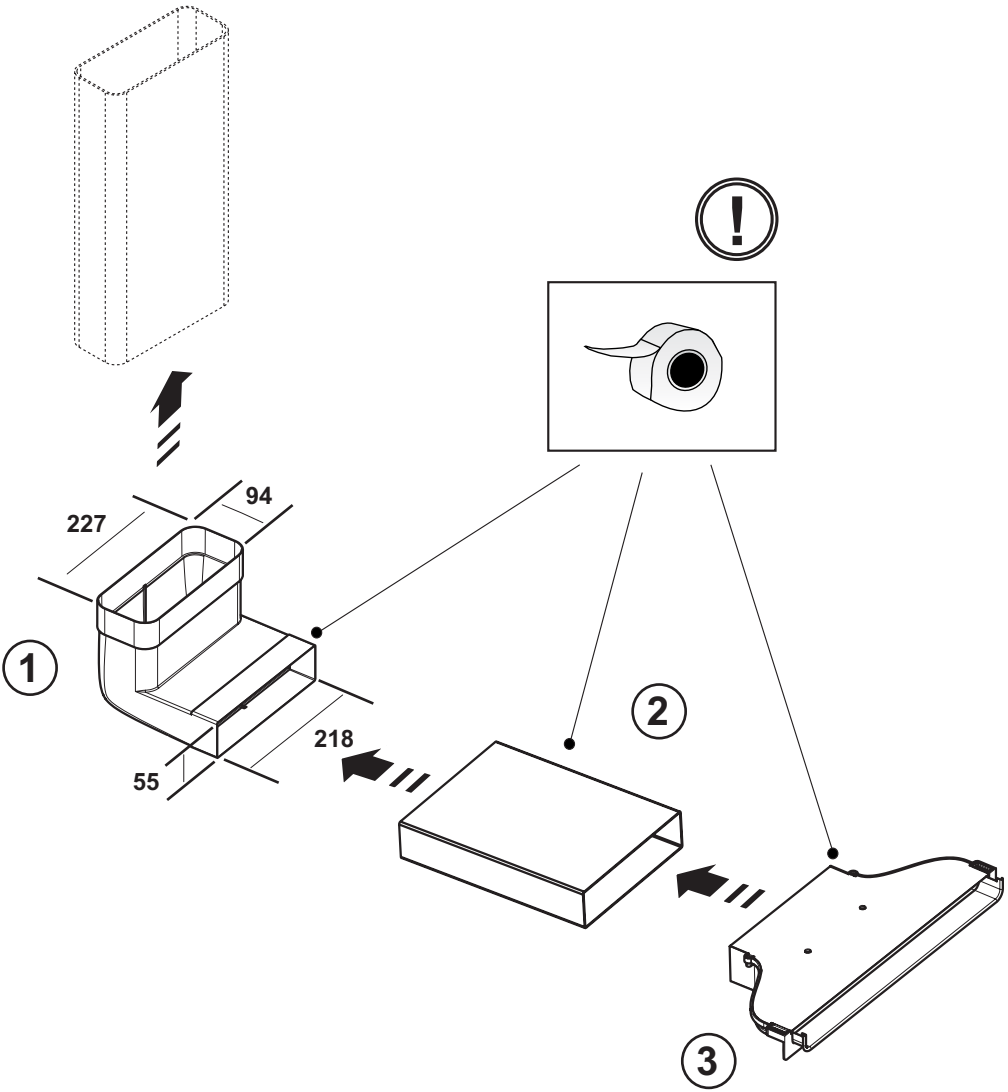
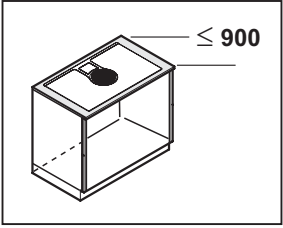


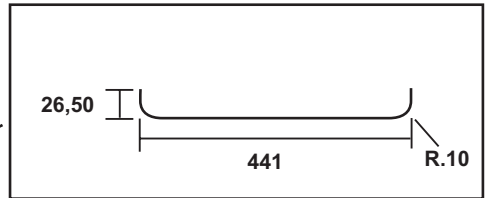
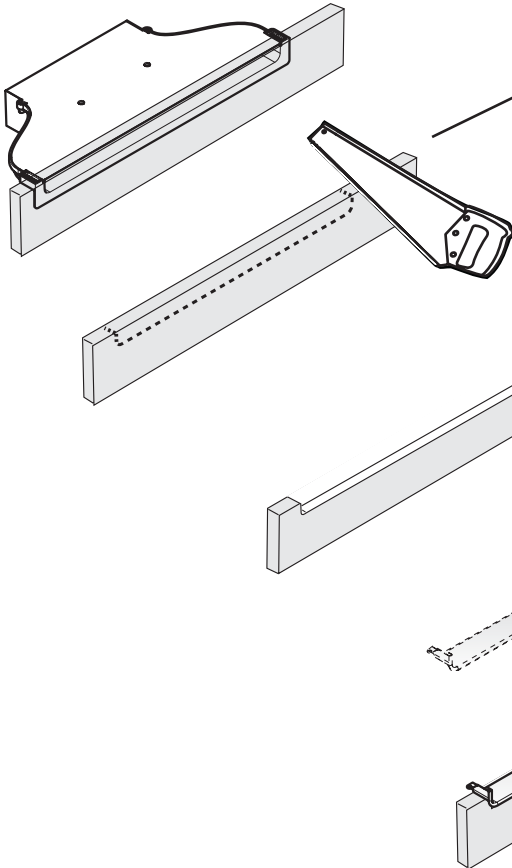
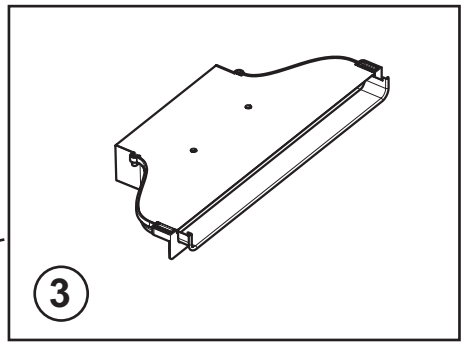
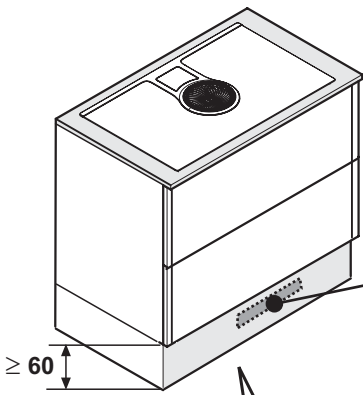
9.4

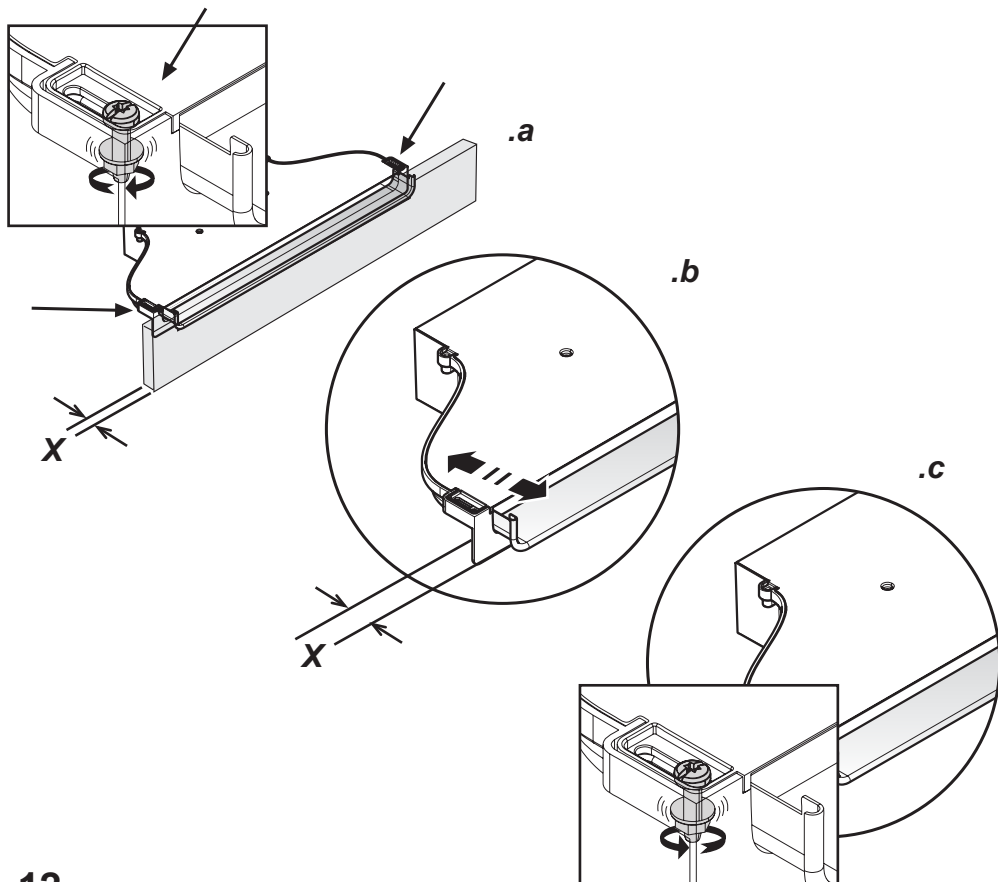


9.5

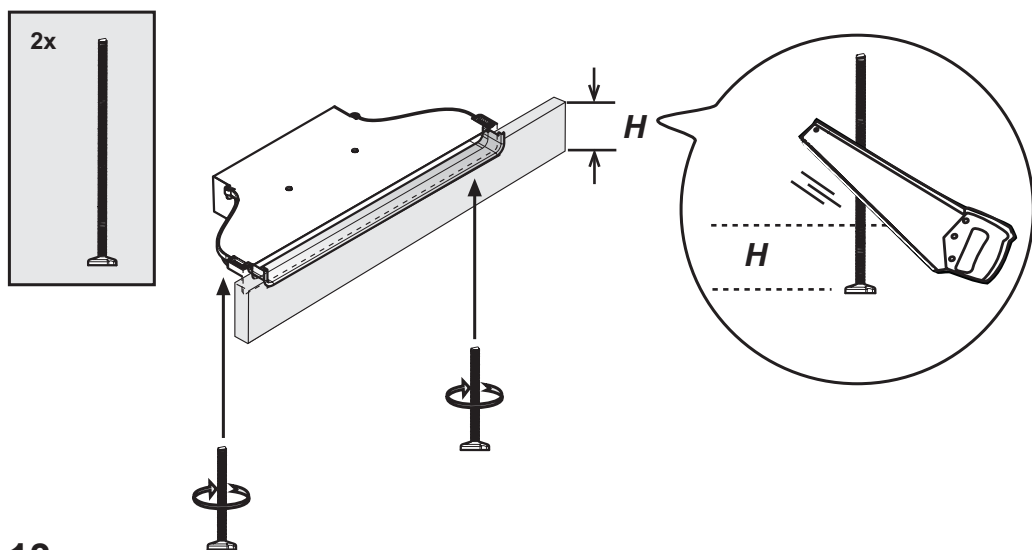




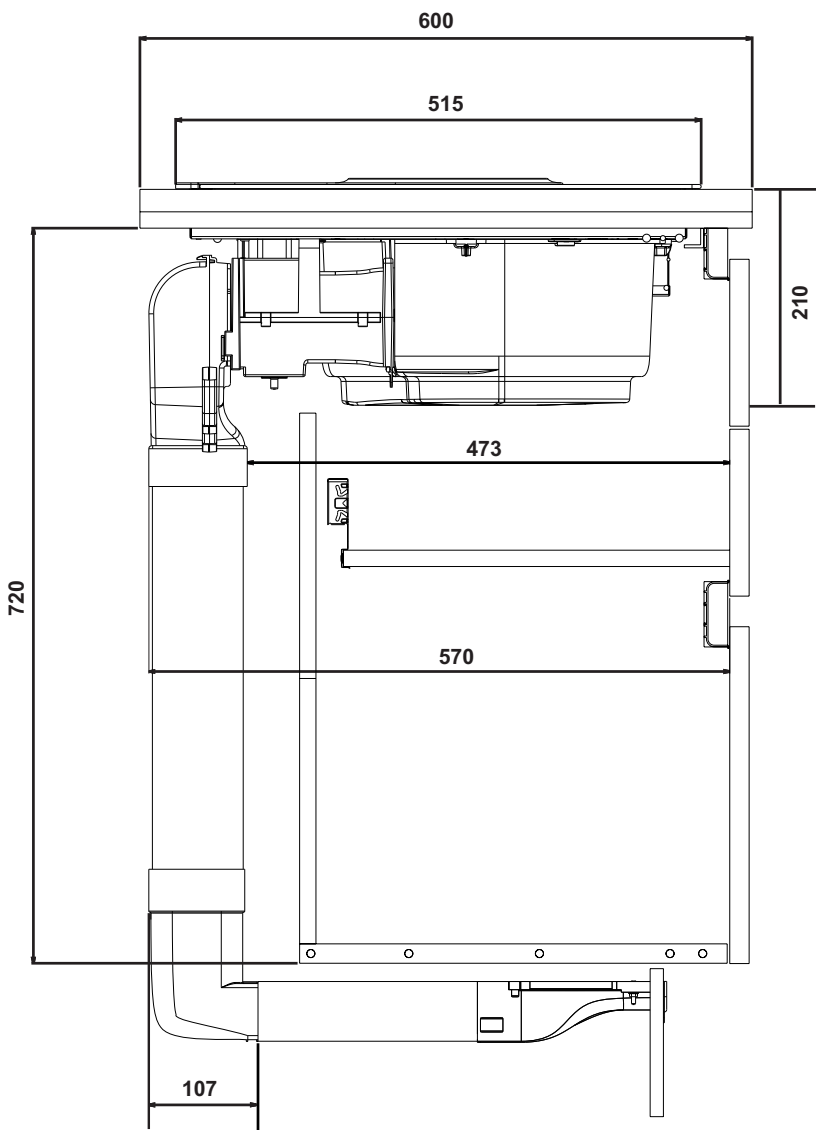


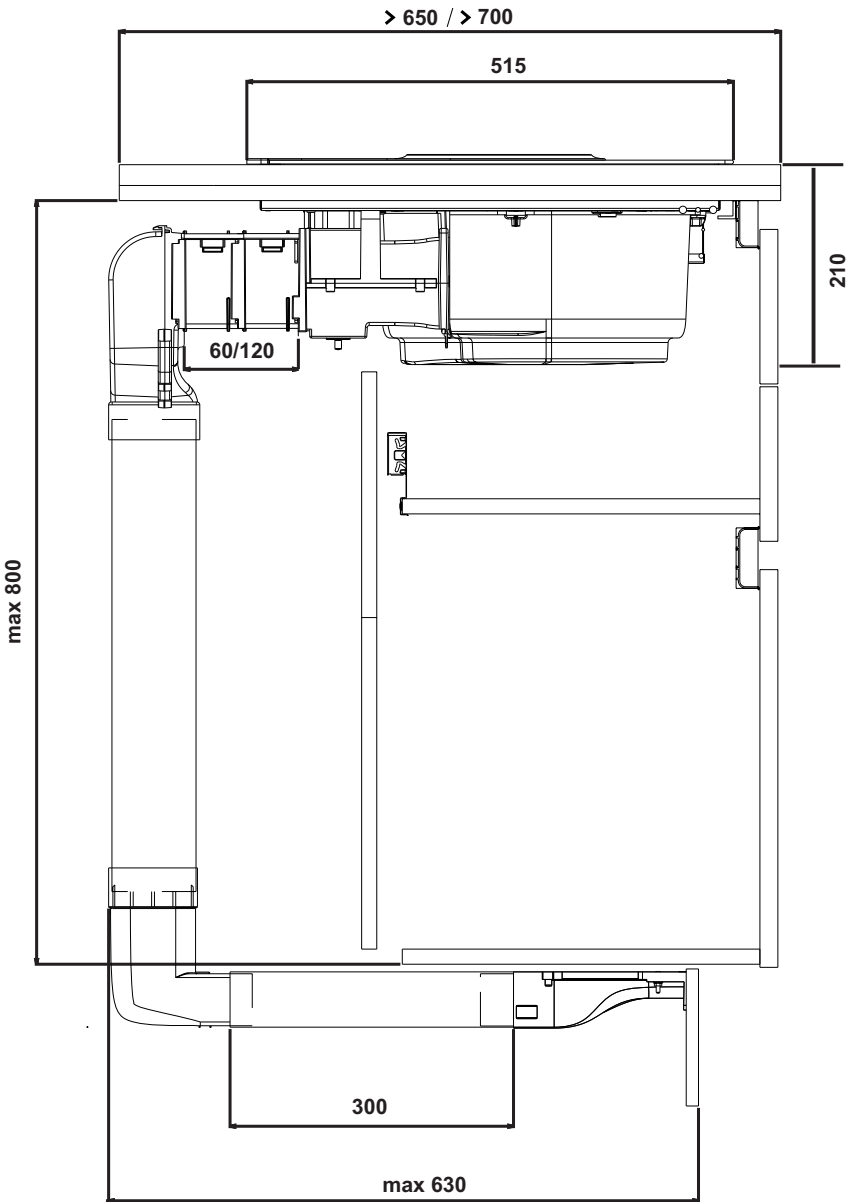


12



13







KIT0121012



218X55X500mm

KIT0121013



218X55X1000mm

KIT0121015



218X55X70mm

KIT0121016



90° 218X55mm

KIT0121017



218x55mm

KIT0126810



227x94mm

KIT0121002



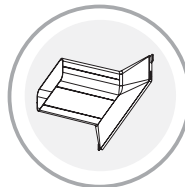
15° - 227x94mm

KIT0121005



90° 227x94mm

KIT0130427



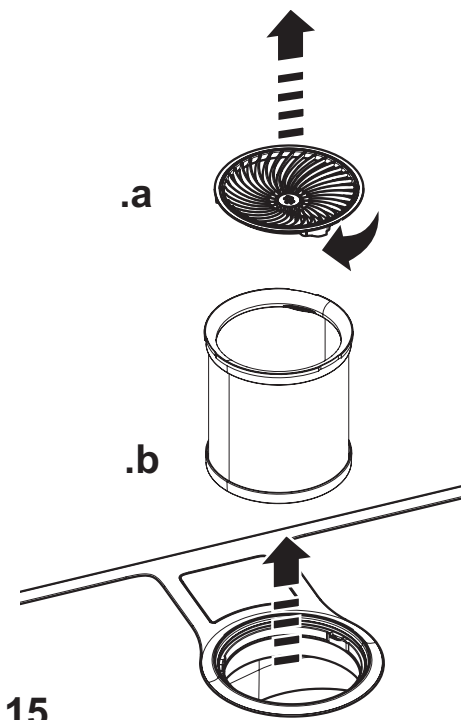
www.elica.com
www.shop.elica.com

FIG.17

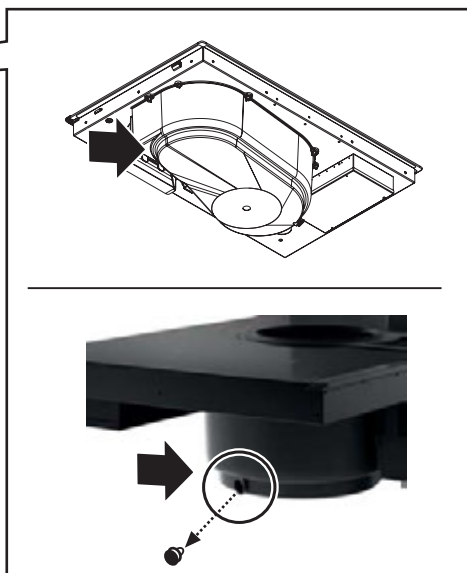
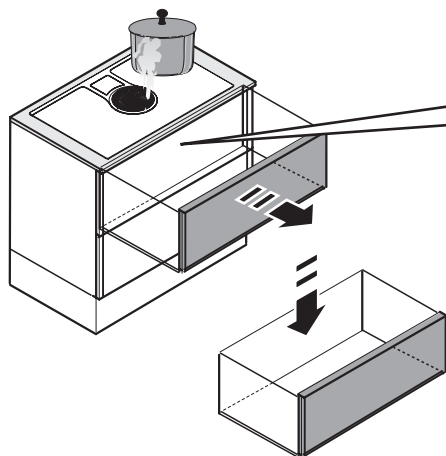
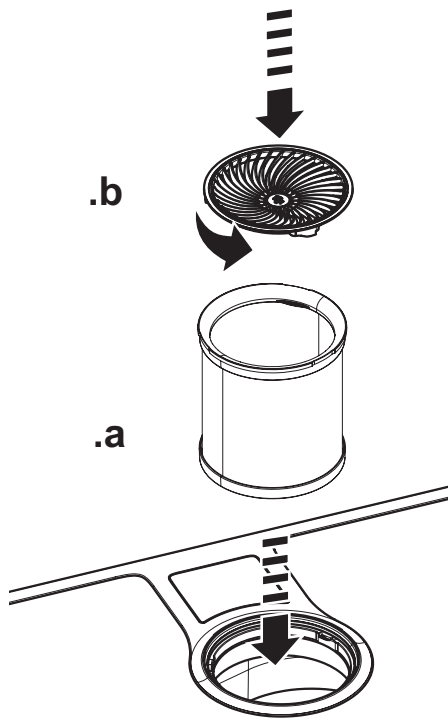
FIG.15



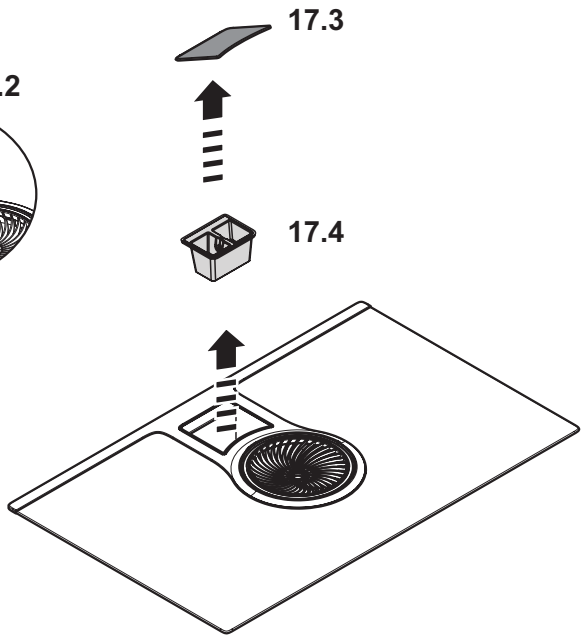
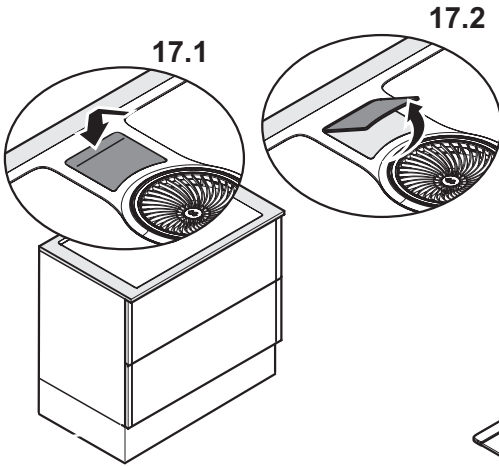
FIG.16



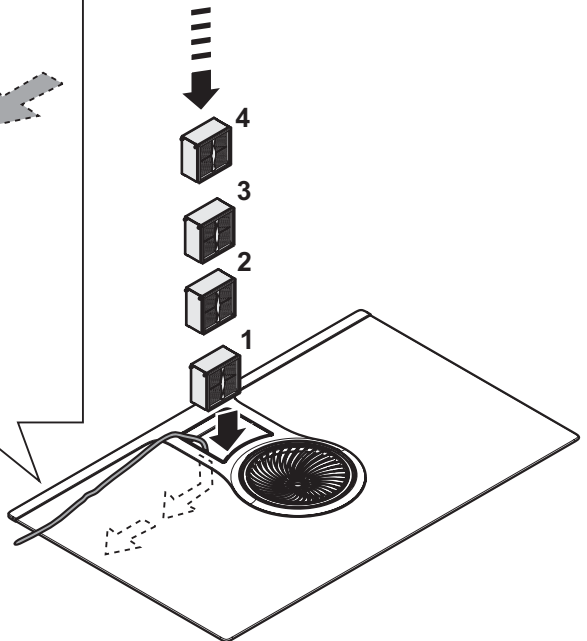
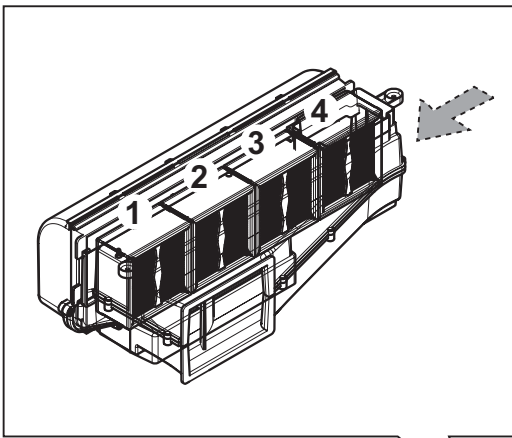
15



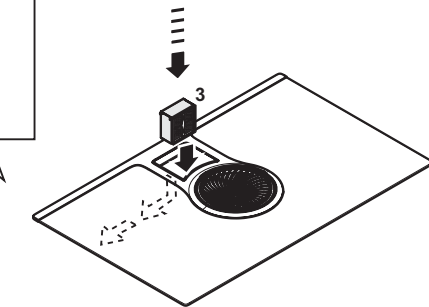
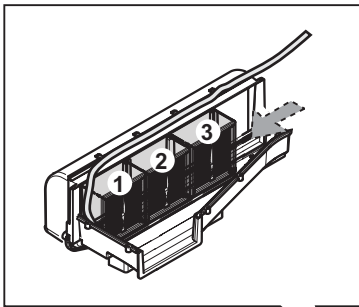
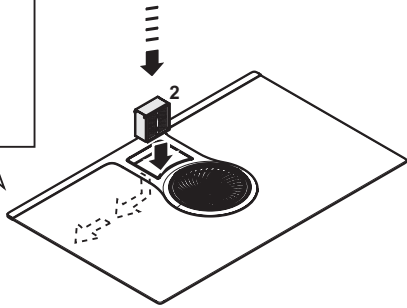
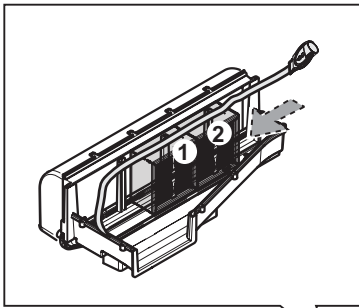
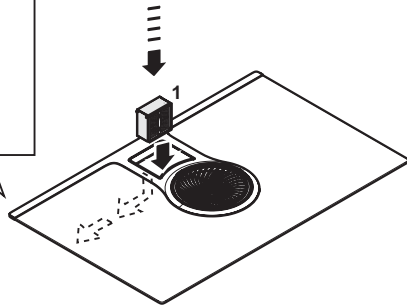
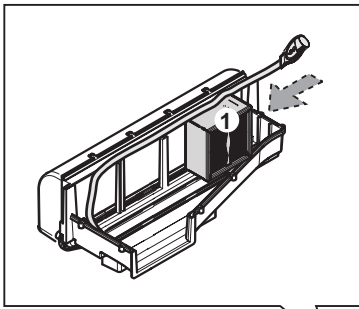
16

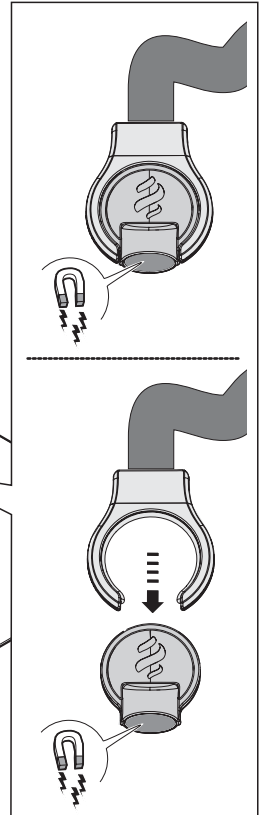
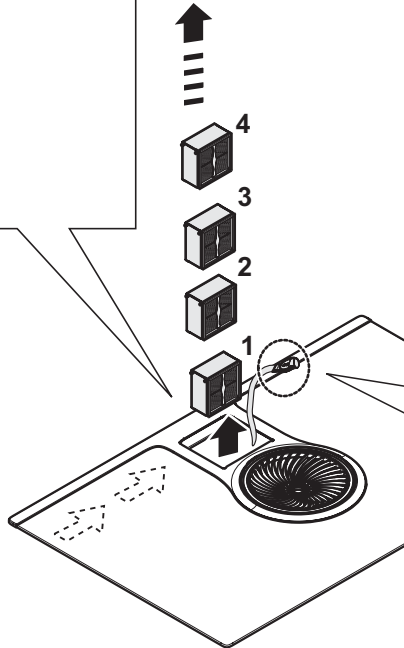
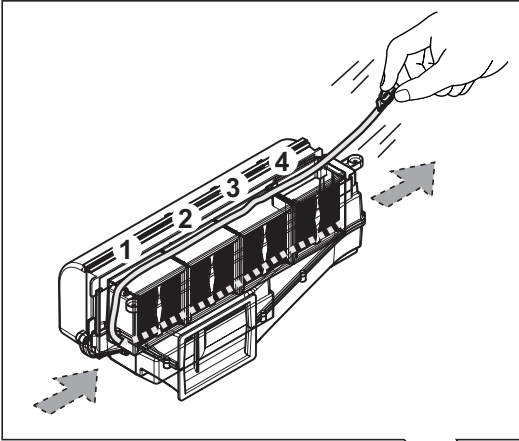
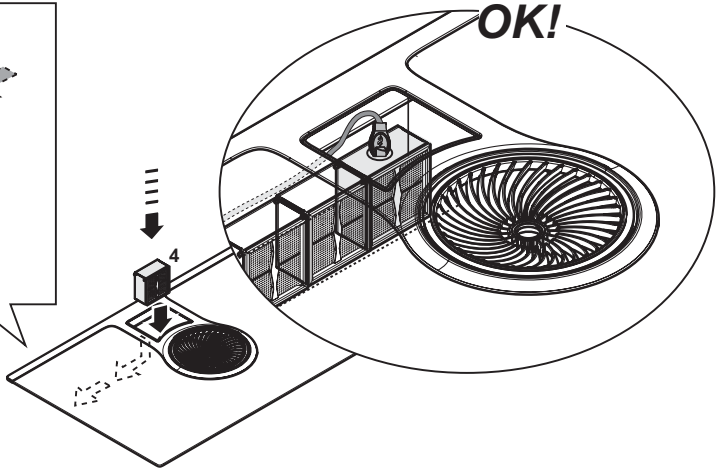
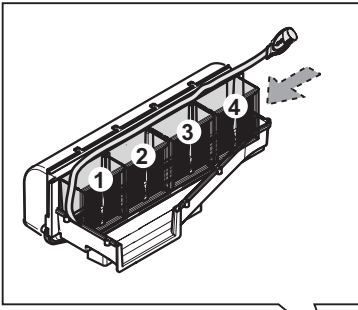


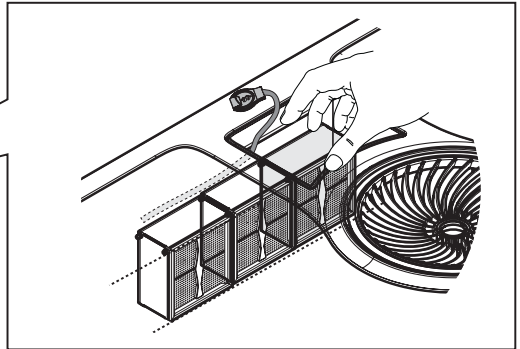
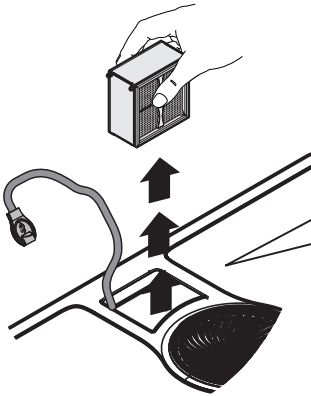
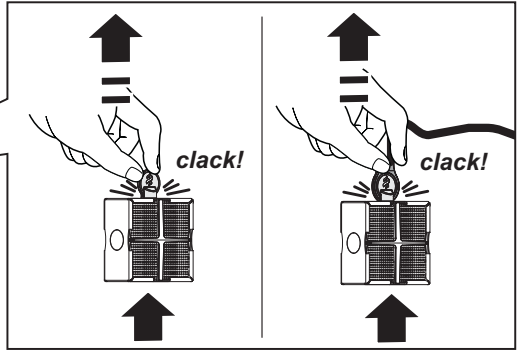
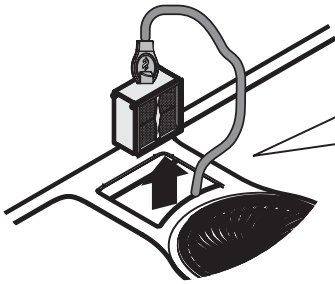
17

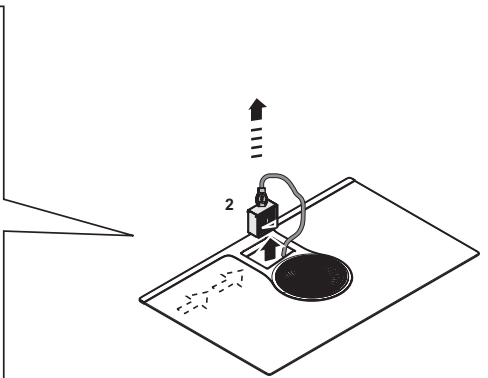
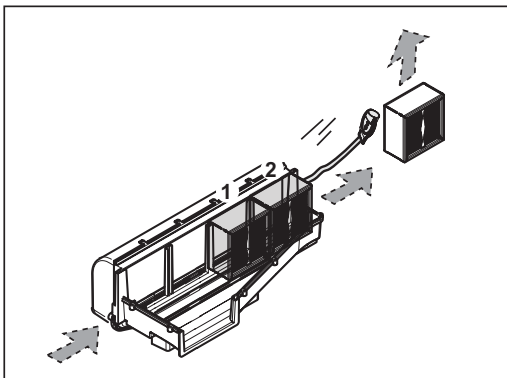
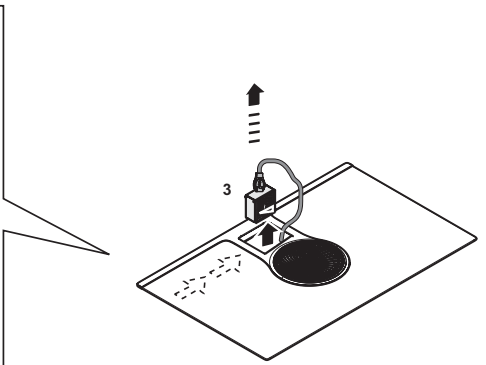
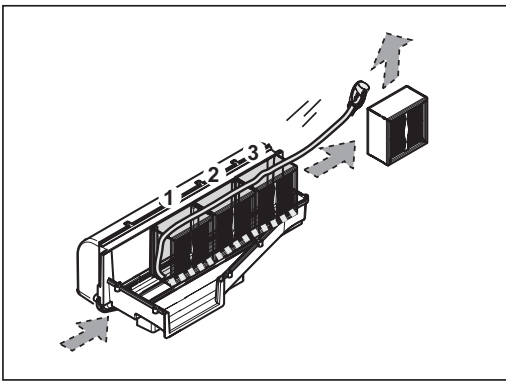
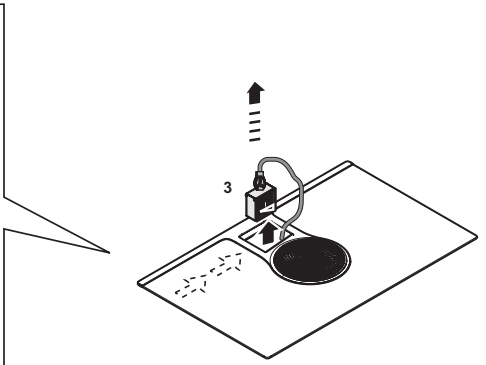
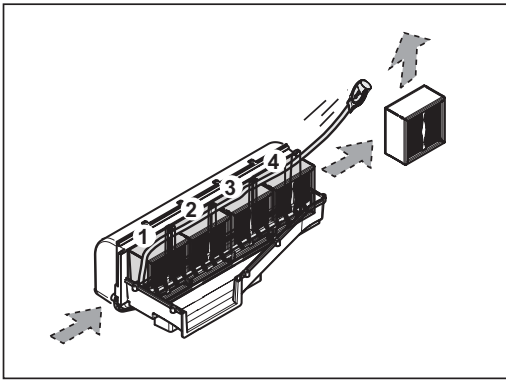


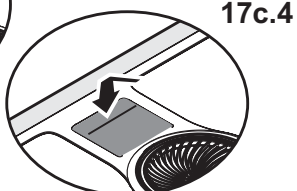
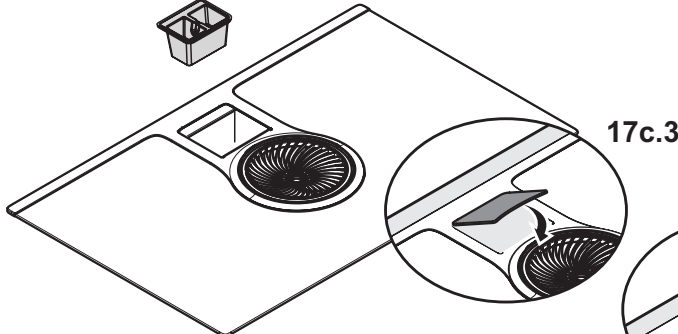
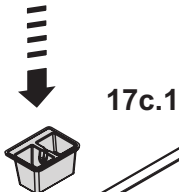
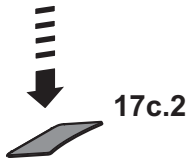
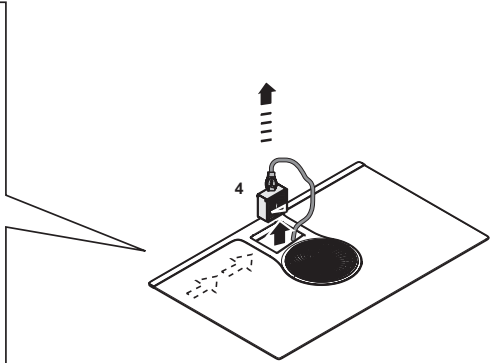
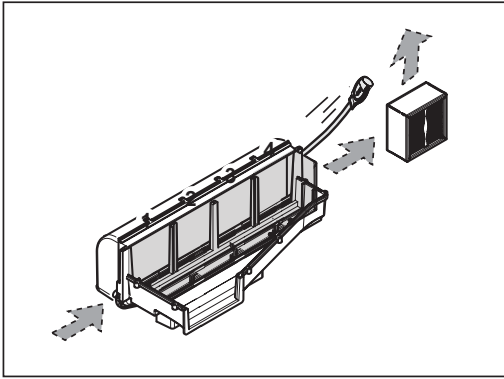
17a



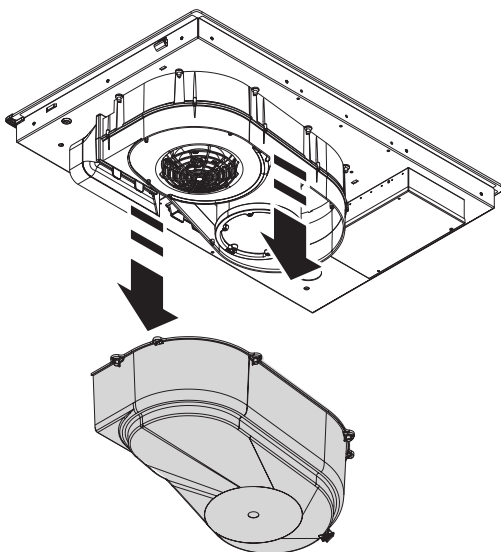
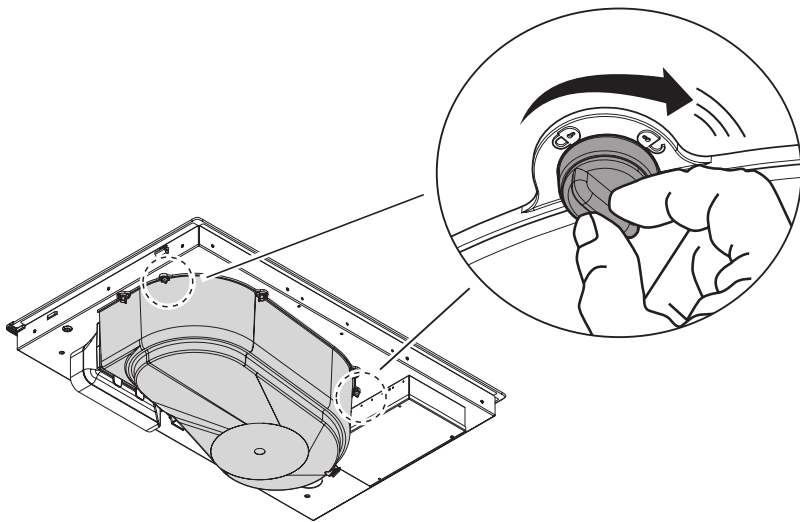


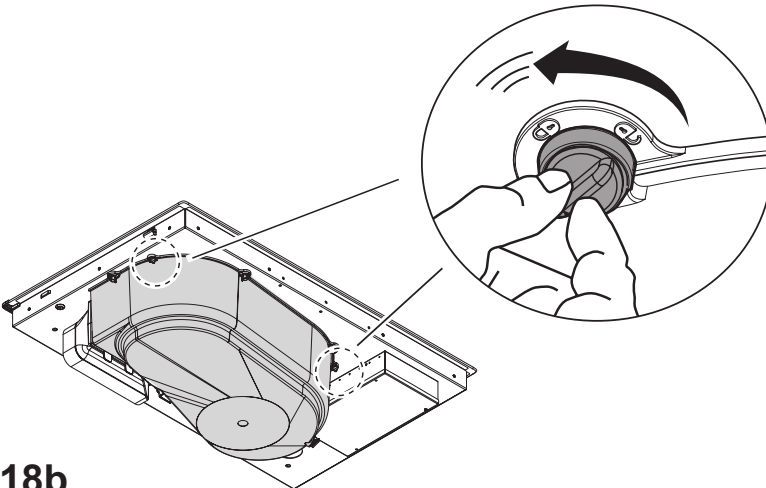
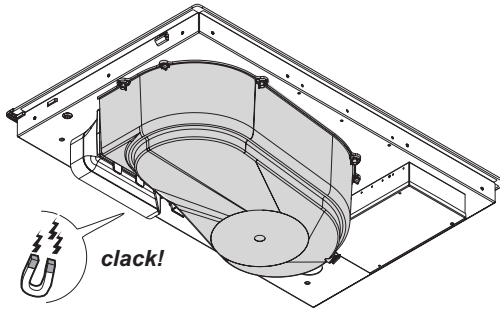
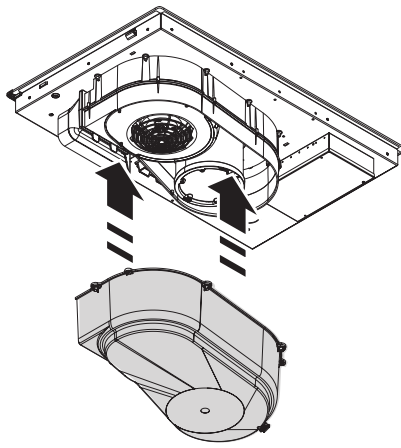




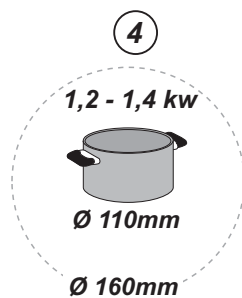
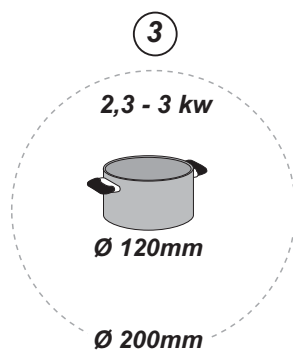
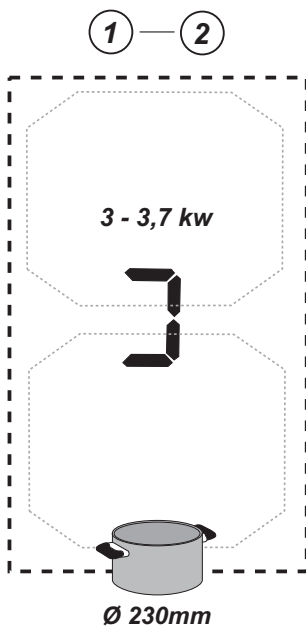
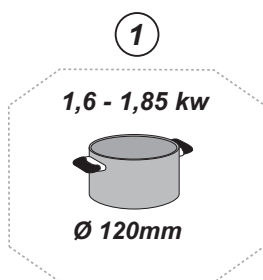
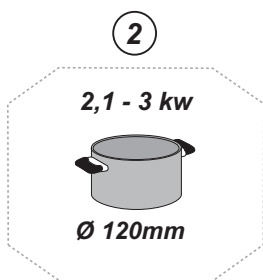
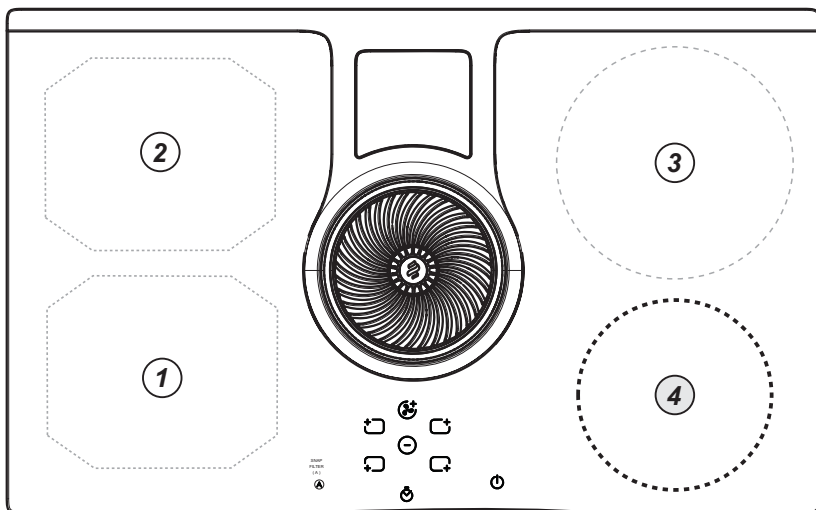


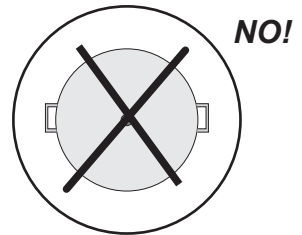
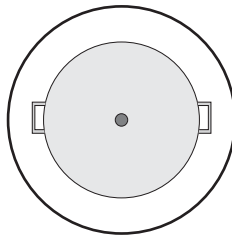
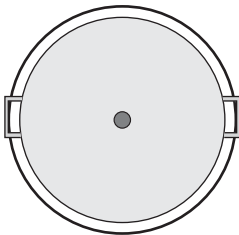
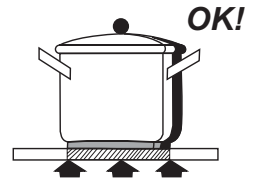
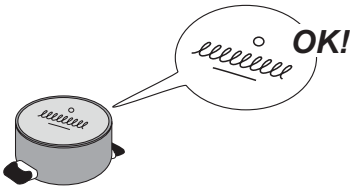
17c





18b





- 40 %

Strictly observe the instructions in this manual. No liability will be assumed for any problems, damage or fires caused by failure to comply with the instructions in this manual. The device is intended for domestic use only, to cook food and extract the fumes generated by cooking. No other use is allowed (e.g. heating rooms). The manufacturer declines any liability for inappropriate use or incorrect setting of the controls.

The product may have different aesthetic features with respect to the illustrations in this handbook, however the operating, maintenance and installation instructions remain the same.

This manual must be stored for future consultation at any time. If sold, transferred or moved, it must remain with the product.

- ! Read the instructions carefully: they contain important information on installation, operation and safety.
- ! Do not make electrical changes to the product.
- ! Before installing the device, check that none of the components are damaged. Otherwise, contact the dealer and do not continue with the installation.
- ! Check the integrity of the product prior to its installation. Otherwise, contact the dealer and do not continue with the installation.

Note: The parts marked with the symbol "(*)" are optional accessories supplied only with some models or otherwise not supplied, but available for purchase.



1. Warnings

Caution! Strictly observe the following instructions:

-The device must be disconnected from the electrical network before performing any installation work.

-Installation or maintenance must be performed by a qualified technician, in compliance with the manufacturer's instructions and with local safety regulations. Do not repair or replace any part of the device unless specifically stated in the operating manual.

-Earthing the device is compulsory.

-The power cable must be long enough to allow the device, built-in to the cabinet, to be connected to the electrical network.

-In order to ensure the installation complies with current safety standards, a regular omnipolar switch is required that assures the complete disconnection of the mains under category III over-voltage conditions, in accordance with the installation rules.

-Do not use multiple sockets or extension cords.

-Once installation is complete, the electrical components must no longer be accessible by the user.

- The device and its accessible parts heat up during use. Be careful not to touch the heating elements.

-Ensure that children do not play with the device; keep children away and supervise them, as the accessible parts may become very hot during use.

-For people with pacemakers and active implants it is important to check, prior to using the induction hob, that their pacemaker is compatible with the device.

-During and after use, do not touch the heating elements of the device.

-Avoid contact with cloths or other flammable materials until all the device components have sufficiently cooled.

-Do not place flammable materials on or near the device.

-Overheated fats and oils easily catch fire. Supervise the cooking of foods rich in fat and oil.

-If the surface is cracked, switch off the device to avoid the possibility of an electric shock.

-The device is not intended to be run with an external timer or a separate remote control system.

-Unattended cooking on a hob with oil or fat may be dangerous and may cause a fire.

- The cooking process must be supervised. A short-term cooking process must be constantly monitored.

- NEVER attempt to put fires out using water. Instead, turn off the device and smother the flames, for example with a lid or a fire blanket. Fire hazard: do not rest objects on the cooking surfaces.

-Do not use steam cleaners.

-Do not place metal objects such as knives, forks, spoons and lids on the hob surface as they may overheat.

- Before connecting the device to the electrical network: check the data plate (on the bottom of the device) to ensure that the voltage and power correspond to the network values and that the connection socket is suitable. If in doubt, consult a qualified electrician.

Important:

- After use, switch off the hob from its control device and do not rely on the pot detector.

-Avoid spills; when boiling or heating liquids, lower the heat supply.

- Do not leave the heating elements on with pots and pans empty or without containers.

- Once cooking is complete, turn off the relative zone.

- Never use aluminium foil to cook with, and never directly place products packaged with aluminium on top of the cooking surface. The aluminium would melt and irreparably damage your device.

- Never heat a tin or a tin can containing foods without first opening it: it might explode!

This warning also applies to all other types of hobs.

- A high power level such as the Booster function should not be used to heat certain liquids such as oil for frying. Excessive heat may be dangerous. In these cases we recommend the use of a lower power level.

-The containers must be placed directly on the hob and should be centred. Under no circumstances may anything be inserted between the pot and the hob.

- In high temperature situations, the device automatically decreases the power level of the cooking zones.

Before performing any cleaning or maintenance, disconnect the product from the electrical network by detaching the plug or disconnecting the home's master switch.

For all installation and maintenance operations, always use work gloves.

The device can be used by children 8 years or older and by persons with physical, sensory or mental impairments, or by people without any experience or the necessary knowledge, provided they are supervised or have received

instructions regarding the safe use of the device and provided they have a thorough understanding of the associated risks.

Children must be supervised to ensure they do not play with the device.

Cleaning and maintenance must never be performed by children unless they are properly supervised.

The room must be properly ventilated when the cooker hood is used at the same time as other combustion devices, gas or otherwise.

The hood must be regularly cleaned both internally and externally (AT LEAST ONCE PER MONTH), in strict accordance with the maintenance instructions.

Failure to follow the rules for hood cleaning and filter replacement and cleaning shall result in a fire hazard.

It is strictly prohibited to flame food.

The use of an open flame may damage the filters and cause a fire hazard; it must therefore be avoided under all circumstances.

Extra care must be taken when frying to prevent the oil from overheating and catching fire.

CAUTION: When the hob is on, the accessible parts of the hood may become hot.

Caution! Do not connect the device to the electrical network until installation is entirely complete.

In regards to the technical and safety measures that must be adopted for fume extraction, regulations issued by local authorities must be strictly followed.

The extracted air must not be conveyed through the same ducts used to extract the fumes generated by gas combustion or other types of combustion devices.

Never use or leave the hood without properly installed light bulbs, so as to prevent the risk of an electric shock.


Never use the hood unless the grill has been correctly assembled!

Use only the fastening screws supplied with the product for its installation, or if not supplied, purchase the correct type of screws. Use screws with the right length, as indicated in the installation guide.

When the cooker hood is used together with other devices powered with non-electrical energy, the negative pressure of the room must not exceed 4 Pa (4 x 10⁻⁵ bar).

This device is marked in compliance with the European Directive 2002/96/EC, Waste Electrical and Electronic Equipment (WEEE). By ensuring that this product is disposed of correctly, the user will help prevent potential negative consequences for the environment and human health.



The symbol  on the product or accompanying documentation indicates that this product should not be treated as household waste but should be handed over at a suitable collection point for the recycling of electrical and electronic equipment. Dispose of the device in accordance with local regulations on waste disposal. For further information about the treatment, recovery and recycling of this product, please contact your local authority, a collection service for household waste or the shop where the product was purchased.

Device designed, tested and developed in compliance with regulations on:

- Safety: EN/IEC 60335-1; EN/IEC 60335-2-6, EN/IEC 60335-2-31, EN/IEC 62233.
- Performance: EN/IEC 61591; ISO 5167-1; ISO 5167-3; ISO 5168; EN/IEC 60704-1; EN/IEC 60704-2-13; EN/IEC 60704-3; ISO 3741; EN 50564; IEC 62301.

• EMC: EN 55014-1; CISPR 14-1; EN 55014-2; CISPR 14-2; EN/IEC 61000-3-3; EN/IEC 61000-3-12. Recommendations for correct use in order to reduce the impact on the environment: When starting to cook, turn on the hood at minimum speed and leave it on for a few minutes even after cooking is complete. Increase the speed only if there is a large amount of fumes and steam, using the Booster function only in extreme cases. To keep the odour reduction system running efficiently, replace the carbon filter/s when necessary. To ensure the high performance of the grease filter, clean it when necessary. To improve efficiency and minimise noise, use the maximum ducting diameter indicated in this manual.

2. Use

Using the hob

The induction cooking system is based on the physical phenomenon of magnetic induction. The main characteristic of this system is the direct transfer of energy from the generator to the pot.

Advantages:

When compared to electric hobs, your induction hob is:

- **Safer:** lower temperature on the glass surface.
- **Faster:** shorter food heating times.
- **More accurate:** the hob immediately reacts to your commands
- **More efficient:** 90% of the absorbed energy is transformed into heat. Moreover, once the pot is removed from the hob, heat transmission is immediately interrupted, avoiding unnecessary heat losses.

2.1 Cooking containers

Use only pots bearing the symbol



Important:

to avoid permanent damage to the hob surface, do not use:

- containers with less than perfectly flat bottoms.
- metal containers with enamelled bottoms.
- containers with a rough base, to avoid scratching the hob surface.
- never place hot pots and pans on the surface of the hob's control panel

2.1.1 Pre-existing containers

Induction cooking uses magnetism to generate heat. Containers must therefore contain iron. Check if the pot material is magnetic using a magnet. Pots are not suitable if they are not magnetically detectable.

2.1.2 Recommended pan bottom diameters

IMPORTANT: if the pots are not correctly sized, the cooking zones will not turn on

For details of the minimum pot diameter that needs to be used on each zone, see the illustrated part of this manual.

2.2 Energy saving

Recommendations for best results:

- Use pots and pans with a bottom diameter equal to that of the cooking zone.
- Use only pots and pans with flat bottoms.
- Where possible, keep the lid on pots during cooking
- Cook vegetables, potatoes, etc. with a small amount of water to reduce cooking time.
- Use a pressure cooker, it further reduces the energy consumption and cooking time
- Place the pot in the centre of the cooking zone drawn on the hob.

Using the extractor fan

The extraction system can be used in two versions: external extraction and evacuation or as a filter with internal recirculation.



Extraction version

Fig.7

The fumes are evacuated towards the outside through a series of pipes (bought separately) fastened to the supplied connecting flange.

The diameter of the exhaust pipe must be equivalent to the diameter of the connecting ring:

- for rectangular outlets 222 x 89 mm
- for circular outlets \varnothing 150 mm (*)

For more information, see the page relative to the extraction version in the illustrated part of this manual.

Fig.7c

Connect the product to wall-mounted exhaust pipes and holes with a diameter equivalent to the air outlet (connecting flange). Using wall-mounted exhaust pipes and holes with a smaller diameter may reduce the efficiency of extraction and drastically increase noise levels.

All responsibility in this regard is therefore denied.

- ! Use ducting with the minimal indispensable length.
- ! Use ducting with the least possible number of curves (maximum angle: 90°).
- ! Avoid drastic changes in the ducting diameter.



Filtration version

Fig. 8

The extracted air will be filtered in special grease filters and odour filters before being sent back into the room.

The product is supplied with all parts necessary for standard installation, with the air outlet positioned in the front part of the cabinet plinth.

Four high-performance ceramic activated carbon filter packs are already supplied with the product. Ceramic filters are innovative modular carbon filters, which are regenerating (see the Maintenance - Activated carbon filters section of this manual).

Their chemical-physical properties allow extremely efficient odour absorption and high mechanical resistance.

For more information, see the page relative to the filtration version (in the illustrated part of this manual).

Fig. 13b

Visit the websites www.elica.com and www.shop.elica.com to check the complete range of available kits for different types of filtration and extraction installations.

3. Installation

The electrical and mechanical installation must be performed by qualified personnel.

The electrical appliance is designed to be built-in to a 2-6 cm thick worktop in the case of TOP installations; 2.5-6 cm in the case of FLUSH installations.

The minimum clearance between the cooktop and wall must be at least 5 cm at the front, at least 4 cm on the side and at least 50 cm with respect to the wall units above.

NB = The suggested clearances are indicative: when designing the spaces, follow the instructions of the kitchen manufacturer.



3.1 Electrical connection

Fig. 3

- Disconnect the device from the electrical network
- The installation must be performed by professionally qualified personnel familiar with the applicable installation and safety standards.
- The manufacturer declines any liability to people, animals or things in the case of failure to follow the guidelines provided in this chapter.
- The power cable must be long enough to allow removal of the hob from the worktop
- Make sure that the voltage on the rating plate on the bottom of the device corresponds to that of the house where it will be installed.
- Do not use extension cords.
- Earthing is required by law
- The earth power cable must be 2cm longer than the other cables
- If the household appliance is not equipped with a power cable, use one with a minimum conductor diameter of 2.5 mm² for power up to 7200 Watt; for higher power levels, the diameter must be 4 mm².
- At no point along the length of the cable must it reach a temperature of 50° C above the room temperature.
- The device is intended to be permanently connected to the electrical network, therefore, make the connection to the fixed network via a standard omnipolar switch, which assures the complete disconnection of the mains under category III over-voltage conditions, and which is readily accessible after the installation.

Caution! Before reconnecting the circuit to the mains power supply and checking its correct operation, always check that the network cable has been correctly assembled.

Caution! The interconnection cable must be replaced by authorised customer service personnel or equally qualified person.

Note : the product is equipped with a Power Limitor function, which allows a maximum power limit to be set

The limit must be set at the time of the product's connection to the electrical network or when the electrical network itself is reconnected (within the following 2 minutes). **For the Power Limitation setting sequence, see the Operation section of this manual.**

3.2 Mounting

Before starting the installation:

- After unpacking the product, check that it has not been damaged during transport and in the case of problems, contact your dealer or Customer Service, before proceeding with the installation.
- Check that the product is the right size for the installation location.
- Check for accessories inside the packaging (placed there for ease of transport) such as bags containing screws, the warranty card, etc.. Remove them and keep them safe.
- Also check that there is a power socket near the installation area

Preparing the cabinet for installation:

- The product cannot be installed above cooling appliances, dishwashers, heaters, ovens, washing machines and dryers.
- Cut the cabinet before inserting the hob and carefully remove shavings or sawdust.
IMPORTANT: use a single component adhesive sealant (S), resistant against high temperatures up to 250°; prior to installation, the surfaces that need to be glued must be carefully cleaned, removing all substances that may compromise adhesion (e.g. release agents, preservatives, grease, oils, powders, old adhesive residue, etc.); the sealant must be evenly distributed along the entire perimeter of the frame; after gluing, leave to dry for approximately 24 hours.

Fig. 1b

CAUTION! Failure to install screws and fasteners in accordance with these instructions may result in electrical hazards.

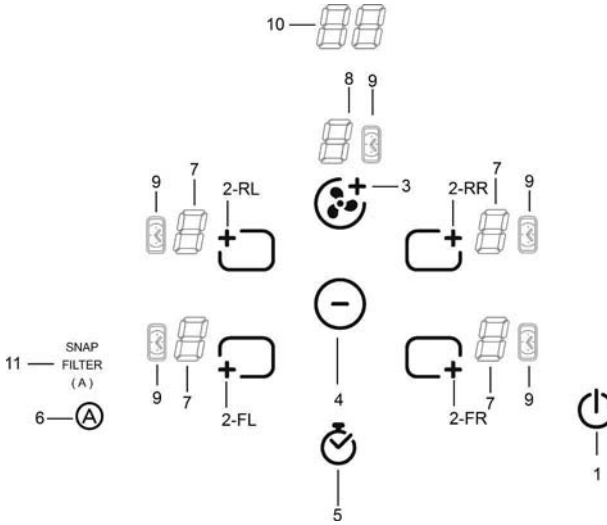
Note: to ensure the correct installation of the product, it is recommended to tape the pipes using an adhesive with the following characteristics:

- soft elastic PVC film, with an acrylic-based adhesive
- which complies with DIN EN 60454 regulations
- flame retardant
- excellent resistance against wear
- resistant against temperature fluctuations
- can be used in low temperatures

4. Operation

Control panel

Note: To select the commands, simply touch (press) the symbols representing them



Keys

1. **ON/OFF** of the hob / extractor fan for hob
2. Select cooking zone
Increase Power Level
3. Increase extraction speed (power)
4. Decrease Power Level
Decrease extraction speed (power)
Decrease Timer value
5. Activate Timer
Increase Timer value
6. Activate automatic functions
Reset filter saturation

Display / LED

7. View Power Level
8. View extraction speed (power)
9. Timer active indicator
10. Timer value indicator
11. Automatic extraction function indicator
Filter assistance indicator
SNAP operation indicator

USING THE HOB


Before you begin, it is important to know:

All functions of this hob are designed in order to comply with the most stringent safety regulations.

For this reason:








• **Some functions will not be activated, or will be automatically deactivated, in the absence of pots on the burners or when they are poorly positioned.**

• In other cases the activated functions will be automatically deactivated after a few seconds when the specific function requires a further setting that has not been selected (e.g.: “Turn on hob” without “Select cooking zone” and “Operating temperature”, or the “Lock Function” or “Timer”).

 **Caution!** In the case (for example) of prolonged use, the cooking zone may not immediately shut down because it is in the cooling phase; the “H” symbol will appear on the cooking zone display, to indicate the execution of this phase. Wait for the display to turn off before approaching the cooking zone.

Cooking zone display

the cooking area display indicates:

Cooking zone on	
Power Level	
Residual Heat Indicator	
Pot Detector	
Bridge Function active	
Temperature Manager Function active	
Child Lock Function active	

Hob characteristics

● Safe Activation

The product is activated only in the presence of pots on the cooking zone: the heating process does not start or is interrupted if there are no pots, or if these are removed.

● Pot Detector

The product automatically detects the presence of pots on the cooking zones.

● Safety Shut Down

For safety reasons, each cooking zone has a maximum operating time, which depends on the maximum power level set.

● Residual Heat Indicator

When one or more cooking zones shut down, the presence of residual heat is indicated by a visual signal on the corresponding zone display, by way of the “H” symbol.

Operation

Note: Before activating any functions, the desired zone must be activated

● Power-on


Press (touch)  **ON/OFF hob/ extractor**

The indicator light will turn on to indicate that the hob/extractor is ready for use

Press again to turn off

Note: This function has priority over the others.


● Selecting the cooking zone

Touch (press) the selector  corresponding to the desired cooking zone.

● 9 Power Levels

The hob features 9 power levels


Touch (press) the selector  to increase the power level;


Touch (press) the selector  to decrease the power level; The power level is shown on the display of the selected zone :



● **Power Booster**

The product has a high level of supplementary power (beyond level 5), which has a limited duration of 5 minutes, after which the power level returns to the previous level.

Touch (press) the selector  to increase the power level (after level 5) and activate the Power Booster
The Power Booster level is shown on the display of the selected zone with the symbol "P"

NB: cooking zone  (FIG.19), does not have a timer for the Power Booster;


to deactivate the Power Booster press 


● **Bridge Zones**

Thanks to the Bridge function, the cooking zones are able to work in a combined manner, creating a single zone with the same power level. This function allows evenly distributed cooking with large-sized pots and pans.


The front "Master" cooking zone can be used in combination with the corresponding "Secondary" zone at the back (to check which zones are equipped with this function, see the illustrated part of this manual).

To activate the Bridge Function:

- select the "Master" cooking zone 
(which must be at power level 0)

- hold  pressed until an acoustic signal sounds, which will be followed by the appearance of the flashing symbol "P" on display (7) of the "Secondary" cooking zone

- select the "Secondary" cooking zone within 3 seconds


- set the operating Level (Power)  of the "Master" cooking zone, which will be shown on the relative display (7)

Note: to deactivate the Bridge Function, simply bring the cooking zone to temperature "D".

● **Temperature Manager**

Temperature Manager is a control function that allows the heat to be maintained at a constant temperature at an optimal power level between 0 and 1; ideal for keeping ready foods warm.

The Temperature Manager function is activated at the first

press of the key 

The "L" symbol appears on the display of the zone working in Temperature Manager mode.



● **Child Lock**


The Child Lock makes it possible to prevent children from accidentally accessing the cooking zone and extraction zone, preventing the activation of any functions.

The Child Lock can only be activated when the product is on, but with the cooking zones (and extraction zone) off.



Activation:


• remove any pots from the hob

• press and simultaneously hold  (FR) and 

• then again and the selector  (2-FR);
an acoustic signal indicates that the Child Lock is active, and an "L" appears on the displays (7).

Deactivation:

• press and simultaneously hold  (2-FR) and 

• then again ;
an acoustic signal indicates that the Child Lock has been deactivated, and the "L" disappears from the displays (7).

Temporary deactivation: it is possible to use a cooking zone, even with the Child Lock active.



Proceed as follows:

• press and hold  (2-FR) and 


You can now use the cooking zone normally, the Child Lock will be reactivated when the hob is turned off.


● **Timer**


The Timer function is a countdown, which can be set for each cooking zone (and extraction zone), even simultaneously. At the end of the set period, the cooking zone (or extraction zone) will automatically shut down and the user will be informed by way of an acoustic signal.


The Timer is activated by pressing the symbol  as soon as the timer has completed the countdown an acoustic signal sounds (for 2 minutes, or stops by pressing any hob key), while the display (10) flashes with the symbol .

Regulation of hob Timer function

• Select the cooking zone. 

• Press  to access the regulation function.
• Regulate the duration of the Timer:



press the selector , to increase the automatic shut-down time

press the selector , to decrease the automatic shut-down time


If desired, repeat the operation for the other cooking zones.

Note: Each cooking zone can have a different Timer set; on the display, (10), the countdown of the last selected hob will be shown for 10 seconds, after which the countdown with the least remaining time will be shown.

To switch off the Timer:


- set the value of the timer to "0" using 
- turn off the hob, using 

Note: the function remains active if no other key is pressed in the meantime.

Note: when the Timer is being used, the symbol  appears at the side of the cooking zone

● Egg Timer

The Egg Timer function is a countdown independent of the cooking zones (and the extraction zone). At the end of the set time, the user is informed by way of an acoustic signal.


The Egg Timer is activated by pressing .

Note : to regulate the **Egg Timer** function, follow the same procedure as for the **Timer** function.







● Power Limitation

The Power Limitation function allows the product to be used while limiting its maximum absorption.

Note : the limit must be set when the hob is off, **without**

pressing , within 2 minutes from when the hob is connected to the electrical network, or from when the electrical network itself is reconnected.

To set the Power Limitation:

- press 
- while holding down  press and release 
- a short acoustic signal will sound
- while holding down  press and release  (2-FL)
- it is now possible to release .

- the **FL zone** display (7) shows the "C" and "0" symbols alternately to indicate that the limit can be set


- the **RL zone** display (7) shows the current setting**

0 = 7.4 KW


1 = 4.5 KW

2 = 3.1 KW

** by default, the limit is set to 7.4 KW


- to change the Power Limitation setting press  (2-FL)

- to save the selection, press  for 2 seconds; a long acoustic signal will sound to confirm the setting.

- press , to exit the function

USING THE EXTRACTOR FAN

● Power-on


Press (touch)  **ON/OFF hob/ extractor**
The indicator light will turn on to indicate that the hob/extractor is ready for use
Press again to turn off


Note: This function has priority over the others.

● Switching on the extractor fan:

Touch (press) the selector  to activate the extractor fan

● Extraction speed (power):

touch (press) the selector  to increase the extraction speed (power) (0-10);


touch (press) the selector  to decrease the extraction speed (power) (10-0);

● Timer

The Timer is activated at any speed by pressing the symbol





display (10) will show the countdown

display (8) will show the symbol 

Extractor fan Timer regulation

The preset shut-down times can be modified. The variation must be made when the Timer is active.

- Press  to increase the automatic shut-down time
- Press  to decrease the automatic shut-down time

● Filter saturation indicator

The hood indicates when filter maintenance is needed:


Grease filter

the “**FILTER**” (11) LED lights up

Activated carbon odour filter

the “**FILTER**” (11) LED flashes



● Reset filter saturation

After carrying out maintenance on the filters (grease and/or activated carbon) hold down the  key; the “**FILTER**” LED turns off and the count restarts.

● Activation of activated carbon odour filter saturation indicator

This indicator is normally deactivated.

To activate it, proceed as follows:

- turn on the aspiration hob by pressing ;
- with the aspiration motor and cooking zones off, press and hold ;
- “**FILTER**” turns on, then off to indicate successful activation.

● Deactivation of activated carbon odour filter saturation indicator

repeat the activation steps described above


“**FILTER**” flashes, then turns off to indicate successful deactivation.

● Automatic mode

The hood will turn on at the most suitable speed, adapting the extraction capacity to the maximum cooking level used in the cooking zone.

Once the hob is turned off, the hood adapts its aspiration speed, gradually decreasing it, so as to eliminate residual vapours and odours

To activate this function:


Briefly press , the LED “(A)” (11) will light up to indicate that the hood is working in this mode.

● Automatic hood mode with SNAP®

For information on how to make the connection between the hood and SNAP®, see the manual supplied with SNAP® or visit www.elica.com.

Note: SNAP® is an auxiliary extraction unit able to operate at the same time as the hood.

To activate this function:

Briefly press , the LED “(A)” and the LED **SNAP** (11) will light up to indicate that the hood is working in this mode.

The suction surface is designed to be used in combination with a Window sensor KIT (not provided by the manufacturer)

When installing the Windows sensor KIT (only in the case of use of the surface in SUCTION mode), the suction will stop operating every time when the KIT which with the surface is equipped detects that the window is closed in the room where it is installed.

It is recommended the purchase of the FDS KIT - 100 Elektrotechnik Schabus, available at authorised Elektrotechnik Schabus centres or directly on the Internet site www.elektrotechnik-schabus.de.

- The electrical connection of the suction surface KIT must be carried out by qualified and specialised technical personnel.

- The manufacturer of the suction surface declines all responsibility for any inconvenience, damage or fire caused by defects and/or problems of malfunctioning and/or incorrect installation of the KIT.

4.1 Power tables

Power level		Cooking type	Use of level (display combines the experience and cooking habits)
Max power	Boost	Heat quickly	Ideal to quickly increase the temperature of the food up to fast boiling in the case of water or quickly heat cooking liquids
	8-9	Fry - boil	Ideal for browning, starting to cook, frying frozen products, boiling rapidly
High power	7-8	Brown - fry - boil - grill	Ideal for frying, keeping the boil, cooking and grilling (for short times, 5-10 minutes)
	6-7	Brown - cook - stew - fry - grill	Ideal for frying, maintaining a simmer, cooking and grilling (for average times, 10-20 minutes), preheating accessories
Medium power	4-5	Cook - stew - fry - grill	Ideal for stewing, maintaining a light boil, cooking (for longer times). Stir pasta
	3-4	Cook - simmer - thicken - stir	Ideal for slow cooking (rice, sauces, roasts, fish) in the presence of liquid (e.g. water, wine, broth, milk), stirring pasta
	2-3	Cook - simmer - thicken - stir	Ideal for slow cooking (volume less than one litre: rice, sauces, roasts, fish) in the presence of liquid (e.g. water, wine, broth, milk)
Low power	1-2	Melt - thaw - keep warm - stir	Ideal for softening butter, gently melting chocolate, thawing small products
	1	Melt - thaw - keep warm - stir	Ideal for keeping small portions of freshly cooked food warm or keeping the temperature of serving dishes and stirring risotto
OFF	Zero power	Support surface	Hob in stand-by or off (possible presence of residual heat from the end of cooking, signalled by H-L-O)

4.2 Cooking tables

Category of foods	Dishes or type of cooking	Power level and cooking pattern			
		First stage	Powers	Second stage	Powers
Pasta, rice	Fresh pasta	Heating water	Booster-9	Cooking pasta and maintaining the boil	7-8
	Fresh pasta	Heating water	Booster-9	Cooking pasta and maintaining the boil	7-8
	Boiled rice	Heating water	Booster-9	Cooking pasta and maintaining the boil	5-6
	Risotto	Frying and roasting	7-8	Cooking	4-5
Vegetables, legumes	Boiled	Heating water	Booster-9	Boiling	6-7
	Fried	Heating oil	9	Frying	8-9
	Sauté	Heating accessory	7-8	Cooking	6-7
	Stewed	Heating accessory	7-8	Cooking	3-4
	Fried	Heating accessory	7-8	Browning fried	7-8
Meats	Roast	Meat browning with oil (if with butter, power 6)	7-8	Cooking	3-4
	Grilled	Pre-heating pan	7-8	Grilling on both sides	7-8
	Browning	Browning with oil (if with butter, power 6)	7-8	Cooking	4-5
	Stew	Browning with oil (if with butter, power 6)	7-8	Cooking	3-4
Fish	Grilled	Pre-heating pan	7-8	Cooking	7-8
	Stew	Browning with oil (if with butter, power 6)	7-8	Cooking	3-4
	Fried	Heating oil or fat	8-9	Frying	7-8
Eggs	Omelettes	Heating pan with butter or fat	6	Cooking	6-7
	Omelettes	Heating pan with butter or fat	6	Cooking	5-6
	Soft boiled/boiled	Heating water	Booster-9	Cooking	5-6
	Pancakes	Heating pan with butter	6	Cooking	6-7
Sauces	Tomato	Browning with oil (if with butter, power 6)	6-7	Cooking	3-4
	Meat sauce	Browning with oil (if with butter, power 6)	6-7	Cooking	3-4
	Béchamel	Preparing the base (melt butter and flour)	5-6	Bring to simmering point	3-4
Desserts, creams	Custard	Boil the milk	4-5	Keep simmering	4-5
	Puddings	Boil the milk	4-5	Keep simmering	2-3
	Rice pudding	Heat the milk	5-6	Keep simmering	2-3

5. Maintenance

Hob maintenance

Caution! Before any cleaning or maintenance, make sure the cooking zones are switched off and the heat indicator has turned off.

5.1 Cleaning

The hob must be cleaned after each use.

Important:

Do not use abrasive sponges, scouring pads. Their use, over time, may ruin the glass.

Do not use chemical irritants, such as oven sprays or stain removers.

After each use, leave the hob to cool and clean it to remove deposits and stains caused by food residue.

Sugar or food with a high sugar content damages the hob and must be immediately removed.

Salt, sugar and sand may scratch the glass surface.

Use a soft cloth, paper towel or specific products to clean the hob (follow the Manufacturer's instructions).

DO NOT USE STEAM JET CLEANERS!!!

Important:

If liquids accidentally or excessively leak out of the pots, the drain valve located on the lower part of the product can be opened so as to remove any residue and be able to clean in conditions of maximum hygiene.

Fig.16

For a more complete and in-depth clean, the lower tray can be completely removed.

Fig.18a - 18b

Extractor fan maintenance

Cleaning

For cleaning, use **ONLY** a cloth moistened with neutral liquid detergents. **DO NOT USE CLEANING UTENSILS OR TOOLS!**

Avoid the use of products containing abrasives.

DO NOT USE ALCOHOL!

Grease filter

Fig. 15

Traps grease particles generated by cooking.

Must be cleaned once per month (or when the filter saturation indication system indicates this need), with non-aggressive detergents, either manually or in the dishwasher at a low temperature and in a short cycle.

When cleaned in the dishwasher, the metal grease filter may discolour, but its filtering characteristics remain unchanged.

Activated carbon filters

(Only for Filtration Version)

Fig. 17 – 17a – 17b – 17c

Traps unpleasant odours generated by cooking.

The product is equipped with four filter packs that trap odours thanks to the activated carbons. The activated carbons are incorporated into a ceramic structure, making them easily and completely accessible by impurities, thus creating a large absorption surface.

The **ceramic activated carbon filters** will become saturated after a more or less prolonged period of use, depending on the type of cooking and frequency with which the grease filters are cleaned. These odour filters can be thermally regenerated every 2/3 months in an oven preheated to 200°C for 45 minutes. Regeneration allows a maximum filter lifespan of 5 years.

5.2 Troubleshooting

ERROR CODE	DESCRIPTION	POSSIBLE CAUSES	ERROR REMOVAL
E2	The command zone switches off due to an excessively high temperature	The temperature inside the electronic parts is too high	Wait for the hob to cool before reusing it
E3	Container unsuitable	Loss of magnetic properties	Remove the pot
E5	Communication problems between the user interface and induction module	Electricity is not reaching the module; The power cable is incorrectly connected or faulty	Disconnect the hob from the electrical network and check the connection
For all other error signals (E ... U ... C ...)	Call customer service and report the error code		

5.3 Customer service

Before contacting Customer Service

1. Check that you cannot solve the problem yourself based on the points described in "Troubleshooting".
2. Switch the device off and on again to see if the problem resolves itself.

If the fault persists after the above checks, contact the nearest Customer Service.

Ακολουθήστε πιστά τις οδηγίες χρήσεως του

παρόντος εγχειριδίου. Δεν αναλαμβάνουμε καμία ευθύνη για βλάβες, ζημιές ή πυρκαγιές που μπορεί να προκληθούν στη συσκευή στην περίπτωση που δεν εφαρμοστούν πιστά οι οδηγίες χρήσεως. Η συσκευή προορίζεται για οικιακή χρήση και ειδικότερα για το μαγείρεμα φαγητού και την απομάκρυνση καπνού. Δεν επιτρέπεται άλλο είδος χρήσης [του εν λόγω προϊόντος] (π.χ. για θέρμανση δωματίων). Ο κατασκευαστής δεν αναλαμβάνει καμία ευθύνη στην περίπτωση ακατάλληλης χρήσης του προϊόντος ή λανθασμένης ρύθμισης του συστήματος εντολών. **Το προϊόν μπορεί να διαφέρει σε σχέση με τον τρόπο με τον οποίο απεικονίζεται στο παρόν εγχειρίδιο, ωστόσο οι οδηγίες χρήσης, συντήρησης και εγκατάστασης παραμένουν οι ίδιες.**

Το εγχειρίδιο χρήσης θα πρέπει να φυλάσσεται για μελλοντική αναφορά. Σε περίπτωση πώλησης, παραχώρησης ή μετακόμισης, το εν λόγω έγγραφο θα πρέπει να συνοδεύει τη συσκευή.

- ! Μελετήστε προσεκτικά τις οδηγίες [χρήσης]: περιέχει σημαντικές πληροφορίες εγκατάστασης, χρήσης και ασφαλείας.
- ! Μην πραγματοποιείτε μετατροπές στο ηλεκτρικό σύστημα του προϊόντος.
- ! Πριν προχωρήσετε στην εγκατάσταση της συσκευής ελέγξτε για τυχόν ζημιές των μεμονωμένων της εξαρτημάτων. Αν εντοπίσετε κάποιο πρόβλημα, σταματήστε τις διαδικασίες εγκατάστασης και επικοινωνήστε άμεσα με τον προμηθευτή σας.
- ! Ελέγξτε την ακεραιότητα του προϊόντος πριν προχωρήσετε στην εγκατάστασή του. Σε αντίθετη περίπτωση, σταματήστε τις

διαδικασίες εγκατάστασης και επικοινωνήστε άμεσα με τον προμηθευτή σας.

Σημείωση: Τα πεδία με την υποσημείωση "(*)" αφορούν προαιρετικά εξαρτήματα τα οποία είναι διαθέσιμα μόνον για ορισμένα μοντέλα ή εξαρτήματα τα οποία δεν παρέχονται δωρεάν.

1. Προηδοποιήσεις

Προσοχή! Τηρείτε πιστά τις παρακάτω οδηγίες:

- Η συσκευή πρέπει να αποσυνδέεται από το ηλεκτρικό δίκτυο πριν τη διενέργεια εργασιών εγκατάστασης.
- Η εγκατάσταση και οι εργασίες συντήρησης θα πρέπει να πραγματοποιούνται μόνον από έμπειρο τεχνικό προσωπικό σύμφωνα με τις οδηγίες του κατασκευαστή και τους ισχύοντες τοπικούς κανονισμούς ασφαλείας. Μην επισκευάζετε και μην αντικαθιστάτε κανένα εξάρτημα της συσκευής, στην περίπτωση που κάτι τέτοιο δεν αναφέρεται ρητά στο εγχειρίδιο χρήσης.

-Η γείωση της συσκευής είναι υποχρεωτική.

-Το καλώδιο τροφοδοσίας θα πρέπει να διαθέτει ιδανικό μήκος, ούτως ώστε να είναι δυνατή η σύνδεση της εντοιχισμένης συσκευής στην πρίζα.

-Για να τηρούνται οι ισχύοντες κανονισμοί ασφαλείας, η εγκατάσταση θα πρέπει να διαθέτει πολυπολικό διακόπτη με ελάχιστη απόσταση 3 mm μεταξύ των επαφών.

-Μην χρησιμοποιείτε πολύπριζα ή μπαλαντέζες.

-Μετά την ολοκλήρωση της εγκατάστασης, απαγορεύεται η πρόσβαση του χρήστη στα ηλεκτρικά μέρη της [συσκευής].

- Η συσκευή και τα προσβάσιμα μέρη μπορεί να υπερθερμανθούν κατά τη διάρκεια χρήσης [της συσκευής]. Προσοχή, μην ακουμπάτε τμήματα της συσκευής που αναπτύσσουν υψηλές

θερμοκρασίες.

- Μην αφήνετε τα παιδιά να παίζουν με τη συσκευή. Κρατήστε τα σε απόσταση ασφαλείας και υπό την εποπτεία σας κι αυτό διότι τα προσβάσιμα μέρη της μπορεί να υπερθερμανθούν κατά τη διάρκεια χρήσης [της συσκευής].

- Τα άτομα που διαθέτουν βηματοδότη ή εμφυτεύσιμο απινιδωτή είναι σημαντικό να εξακριβώσουν -πριν τη χρήση της επαγωγικής εστίας- ότι ο βηματοδότης τους είναι συμβατός με τη συσκευή.

-Μην ακουμπάτε τις θερμές επιφάνειες της συσκευής ενώ αυτή λειτουργεί ή και μετά την απενεργοποίησή της.

-Αποφεύγετε την επαφή της συσκευής με πανιά ή με άλλου είδους υλικά έως ότου κρυώσουν επαρκώς όλα τα μεμονωμένα τμήματά της.

-Μην τοποθετείτε εύφλεκτα υλικά επάνω ή πλησίον της συσκευής.

- Προσοχή, τα λίπη και τα λάδια είναι εξαιρετικά εύφλεκτα. Να είστε πάντα σε επαγρύπνηση όταν μαγειρεύετε φαγητά πλούσια σε λίπη ή λάδια.

-Στην περίπτωση που εμφανιστούν ρωγμές στην επιφάνεια της συσκευής, απενεργοποιήστε. Κίνδυνος ηλεκτροπληξίας.

- Η συσκευή δεν προορίζεται για λειτουργία μέσω εξωτερικού χρονοδιακόπτη ή εξωτερικού συστήματος τηλεχειρισμού.

Το μαγείρεμα σε εστίες χρησιμοποιώντας λάδι ή λίπος είναι επικίνδυνο και μπορεί να οδηγήσει σε πυρκαγιά.

- Το μαγείρεμα θα πρέπει να διενεργείται υπό την παρουσία σας. Το μαγείρεμα μικρής διάρκειας θα πρέπει να βρίσκεται συνεχώς υπό την εποπτεία σας.

- Μην προσπαθήσετε ΠΟΤΕ να σβήσετε μία πυρκαγιά χρησιμοποιώντας νερό. Στην παραπάνω περίπτωση Θα πρέπει να απενεργοποιήσετε τη συσκευή κι εν συνέχεια να καλύψετε τη φωτιά, π.χ. με ένα καπάκι ή μία πυρίμαχη κουβέρτα. Κίνδυνος πυρκαγιάς: μην τοποθετείτε αντικείμενα επάνω στις εστίες.

- Μην χρησιμοποιείτε συσκευές ατμού για τον καθαρισμό της εστίας.

- Μην ακουμπάτε μεταλλικά αντικείμενα, όπως π.χ. μαχαιρία, πιρούνια, κουτάλια ή καπάκια, επάνω στις εστίες μαγειρέματος. Υπάρχει κίνδυνος ανάπτυξης υψηλών θερμοκρασιών.

- Πριν τη σύνδεση της συσκευής στο ηλ. δίκτυο, ελέγξτε την πινακίδα τεχνικών χαρακτηριστικών (βλέπε στο κάτω μέρος της συσκευής) για να σιγουρευτείτε ότι η τάση κι η

συχνότητά της είναι συμβατά με το εν λόγω δίκτυο κι ότι το βύσμα σύνδεσης είναι ιδανικό. Σε περίπτωση αμφιβολίας, απευθυνθείτε σε έναν ηλεκτρολόγο.

Σημαντικό:

- Μετά τη χρήση [της συσκευής], απενεργοποιήστε την εστία μαγειρέματος χρησιμοποιώντας τον κατάλληλο διακόπτη, χωρίς να βασίζεστε στον ανιχνευτή [παρουσίας] σκεύους.
- Για την αποφυγή πιθανής υπερχειλίσης υγρών κατά το βράσιμο ή το ζέσταμα, χαμηλώστε τη θερμοκρασία της εστίας.
- Μην αφήνετε άδειες κατσαρόλες ή τηγάνια επάνω τε ενεργοποιημένες εστίες μαγειρέματος.
- Όταν ολοκληρώνουμε το μαγείρεμα, σβήνουμε πάντα την ανάλογη εστία.

- Μην χρησιμοποιείτε φύλλα αλουμινίου στο μαγείρεμα. Μην ακουμπάτε επάνω στις εστίες προϊόντα συσκευασμένα με αλουμίνιο. Το εν λόγω υλικό μπορεί να λιώσει προκαλώντας έτσι ανεπανόρθωτες ζημιές στη συσκευή σας.

- Μην θερμαίνετε κλειστά, κονσερβοποιημένα προϊόντα [χωρίς να τα ανοίξετε προηγουμένως] διότι μπορεί να εκραγούν.

Αυτή η προειδοποίηση ισχύει για όλους τους τύπους εστίας μαγειρέματος.

- Η χρήση αυξημένης ισχύος, βλέπε λειτουργία Booster, δεν ενδείκνυται για το ζέσταμα ορισμένων υγρών όπως π.χ. λαδιού τηγανίσματος. Η υπερβολική θερμοκρασία είναι επικίνδυνη. Στις περιπτώσεις αυτές, συστήνουμε τη χρήση μικρότερης ισχύος.

- Τα σκεύη θα πρέπει να τοποθετούνται στο κέντρο της εστίας. Απαγορεύεται η τοποθέτηση αντικειμένων ανάμεσα στο σκεύος και την εστία.

- Η συσκευή διαθέτει σύστημα [αυτόματης] μείωσης των επιπέδων ισχύος της εστίας μαγειρέματος για την αποφυγή ανάπτυξης υψηλών θερμοκρασιών.

Πριν από τη διενέργεια εργασιών καθαρισμού ή συντήρησης, αποσυνδέστε τη συσκευή από το δίκτυο ηλ. ενέργειας αφαιρώντας το βύσμα ή κατεβάζοντας τον γενικό διακόπτη του σπιτιού σας. Φοράτε γάντια προστασίας κατά τη διάρκεια των εργασιών εγκατάστασης και συντήρησης της συσκευής.

Απαγορεύεται η χρήση της συσκευής από παιδιά ηλικίας

κάτω των 8 ετών ή από άτομα με μειωμένες σωματικές, αισθητήριες ή νοητικές ικανότητες εκτός κι αν αυτά βρίσκονται υπό στενή παρακολούθηση ή έχουν λάβει οδηγίες σχετικά με την ασφαλή χρήση της συσκευής και τους πιθανούς κινδύνους.

Τα παιδιά απαγορεύεται να παίζουν πλησίον της συσκευής.

Τα παιδιά απαγορεύεται να πραγματοποιούν εργασίες καθαρισμού ή συντήρησης χωρίς επίβλεψη από πλευράς ενηλίκων.

Ο χώρος όπου βρίσκεται εγκατεστημένη η συσκευή θα πρέπει να αερίζεται επαρκώς, όταν το σύστημα εξαερισμού της κουζίνας χρησιμοποιείται ταυτόχρονα με άλλες συσκευές καύσης αερίου ή άλλου τύπου.

Το σύστημα εξαερισμού θα πρέπει να καθαρίζεται σε τακτική βάση εσωτερικά αλλά και εξωτερικά (ΤΟΥΛΑΧΙΣΤΟΝ ΜΙΑ

ΦΟΡΑ ΤΟΝ ΜΗΝΑ). Σε κάθε περίπτωση ακολουθείτε πιστά τις οδηγίες χρήσης.

Η μη πιστή τήρηση των κανόνων καθαριότητας του συστήματος εξαερισμού και η μη τακτική αντικατάσταση των σχετικών φίλτρων μπορεί να προκαλέσει πυρκαγιά.

Απαγορεύεται ρητά η προετοιμασία πιάτων φλαμπέ.

Η χρήση φωτιάς κατά το μαγείρεμα θα πρέπει να αποφεύγεται διότι μπορεί να προκαλέσει ζημιά στα φίλτρα ή πυρκαγιά.

Το τηγάνισμα θα πρέπει να διενεργείται υπό στενή παρακολούθηση για την αποφυγή εκδήλωσης πυρκαγιάς.

ΠΡΟΣΟΧΗ: Όταν η εστία μαγειρέματος βρίσκεται σε λειτουργία τα προσβάσιμα μέρη της μπορεί να αναπτύξουν [υψηλές] θερμοκρασίες.

Προσοχή! Μην συνδέετε τη συσκευή στο ηλ. δίκτυο πριν ολοκληρωθεί η εγκατάσταση.

Ακολουθείτε πιστά τους προβλεπόμενους κανονισμούς σε ό,τι αφορά τα μέτρα ασφαλείας που χρειάζεται να πάρετε για τον εξαερισμό του χώρου.

Ο αέρας [που απορροφάται] δεν θα πρέπει να οδηγείται σε αγωγό που χρησιμοποιείται για την εκκένωση καπνού που παράγεται από συσκευές καύσης υγραερίου ή άλλου τύπου.

Για την αποφυγή ηλεκτροπληξίας μην χρησιμοποιείτε το σύστημα εξαερισμού χωρίς να έχετε προηγουμένως τοποθετήσει σωστά τους λαμπτήρες.

Μην χρησιμοποιείτε το σύστημα εξαερισμού χωρίς προηγουμένως να έχετε τοποθετήσει σωστά τη σχάρα!


Για τις εργασίες εγκατάστασης

χρησιμοποιείτε **μόνον τις βίδες** που σας παρέχονται μαζί με το προϊόν ή [στην περίπτωση που αυτές δεν παρέχονται] αγοράστε βίδες **ιδανικού τύπου**. Χρησιμοποιείτε βίδες κατάλληλου μήκους [βλέπε **Οδηγό εγκατάστασης**].

Στην περίπτωση που το σύστημα εξαερισμού και η συσκευή δεν τροφοδοτούνται με ηλεκτρική ενέργεια, η αρνητική πίεση του χώρου δεν θα πρέπει να ξεπερνάει τα (4×10^{-5} bar).

Η συσκευή διαθέτει ειδική σήμανση συμβατότητας με την Ευρωπαϊκή Οδηγία 2012/19/EK, Waste Electrical and Electronic Equipment (WEEE- Ηλεκτρικά απορρίμματα και Ηλεκτρονικός Εξοπλισμός). Να ελέγχετε ότι η αποκομιδή της συσκευής πραγματοποιείται με τον ενδεδειγμένο τρόπο, για την προστασία του περιβάλλοντος και της δημόσιας υγείας.



Το σύμβολο  στη συσκευή [ή στα συνοδευτικά έγγραφα] υποδεικνύει ότι το εν λόγω προϊόν δεν θα πρέπει να το συλλέγεται σαν ένα κοινό οικιακό απόρριμμα αλλά θα πρέπει να παραδίδεται σε ένα ιδανικό σημείο συλλογής και ανακύκλωσης ηλεκτρικών και ηλεκτρονικών συσκευών. Η διάθεση του προϊόντος θα πρέπει να πραγματοποιείται με βάση τους ισχύοντες κανονισμούς. Για

περισσότερες πληροφορίες σχετικά με την επεξεργασία, ανάκτηση και ανακύκλωση αυτής της συσκευής, επικοινωνήστε με το αρμόδιο γραφείο του δήμου σας, την υπηρεσία περισυλλογής οικιακών απορριμμάτων ή με το κατάστημα απ' όπου αγοράσατε τη συσκευή.

Πρόκειται για μία συσκευή η οποία σχεδιάστηκε, δοκιμάστηκε και κατασκευάστηκε βάσει των κανονισμών:

- Ασφαλείας: EN/IEC 60335-1; EN/IEC 60335-2-6, EN/IEC 60335-2-31, EN/IEC 62233.
- Απόδοσης: EN/IEC 61591; ISO 5167-1; ISO 5167-3; ISO 5168; EN/IEC 60704-1; EN/IEC 60704-2-13; EN/IEC 60704-3; ISO 3741; EN 50564; IEC 62301.
- EMC: EN 55014-1; CISPR 14-1; EN 55014-2; CISPR 14-2; EN/IEC 61000-3-3; EN/IEC 61000-3-12. Συμβουλές για μία ορθή χρήση [της συσκευής] ούτως ώστε να μειωθούν οι [αρνητικές] επιπτώσεις στο περιβάλλον: Κατά το μαγειρέμα, ενεργοποιήστε το σύστημα εξαερισμού [στη μέγιστη ταχύτητά του] κι αφήστε το να λειτουργήσει για μερικά λεπτά και μετά το τέλος της διαδικασίας μαγειρέματος. Αυξήστε την ταχύτητά του **μόνον** στην περίπτωση μεγάλης ποσότητας καπνού ή ατμού [χρησιμοποιώντας τη λειτουργία booster **μόνον** σε ακραίες καταστάσεις]. Για να διατηρείτε τις [δυσάρεστες] οσμές μακριά αντικαταστήστε το/τα φίλτρο/α άνθρακα αν χρειαστεί. Για να διατηρείτε αποδοτικό το φίλτρο λιπαρών ουσιών, θα πρέπει να το καθαρίζετε τακτικά. Για να βελτιστοποιήσετε την απόδοση της συσκευής αλλά και για να μειώσετε τα επίπεδα θορύβου, χρησιμοποιείτε τη μέγιστη διάμετρο αγωγών βλέπε εγχειρίδιο [χρήσης].

2. Χρήση

Χρήση της εστίας μαγειρέματος

Η λειτουργία της συσκευής βασίζεται στο [φυσικό] φαινόμενο της μαγνητικής επαγωγής -δηλ. στην απευθείας μεταφορά ενέργειας από την παροχή ισχύος στην κατσαρόλα.

Πλεονεκτήματα:

Σε σύγκριση με τις κοινές ηλεκτρικές εστίες μαγειρέματος, η επαγωγική εστία είναι:

- **Πιο σίγουρη:** μικρότερη θερμοκρασία στη γυάλινη επιφάνεια.
- **Πιο γρήγορη:** μικρότεροι χρόνοι για το ζέσταμα του φαγητού.
- **Πιο ακριβής:** Άμεση απόκριση της επιφάνειας στις εντολές σας
- **Πιο αποδοτική:** Το 90% της ενέργειας που απορροφάται μετατρέπεται σε θερμότητα. Επιπλέον, με την απομάκρυνση του μαγειρικού σκεύους από την εστία, η παροχή ενέργειας διακόπτεται άμεσα κι έτσι επιτυγχάνεται εξοικονόμηση.

2.1 Σκεύη μαγειρικής

Χρησιμοποιείτε σκεύη που συνοδεύονται από το



σύμβολο

Σημαντικό:

για την αποφυγή καταστροφής της εστίας, μην χρησιμοποιείτε:

- σκεύη με βάση που δεν είναι τελείως επίπεδη.
- μεταλλικά σκεύη με μαγιά βάση.
- σκεύη με τραχιά βάση, για την αποφυγή φθοράς της επιφάνειας της εστίας
- Μην ακουμπάτε ποτέ ζεστές κατσαρόλες και τηγάνια στον πίνακα ελέγχου της μονάδας.

2.1.1 Σκεύη παλαιού τύπου

Η επαγωγική εστία χρησιμοποιεί μαγνητική ενέργεια για την παραγωγή θερμότητας. Τα σκεύη λοιπόν θα πρέπει να περιέχουν σίδηρο. Για να βεβαιωθείτε ότι το σκεύος είναι κατάλληλο για επαγωγικές εστίες, χρησιμοποιήστε έναν μαγνήτη: Τα ακατάλληλα σκεύη δεν έλκονται από τον μαγνήτη.

2.1.2 Συνιστώμενες διάμετροι βάσης σκευών

ΣΗΜΑΝΤΙΚΟ: στην περίπτωση που τα σκεύη δεν έχουν το σωστό μέγεθος, οι εστίες [μαγειρέματος] δεν ανάβουν.

Για τις ελάχιστες αποδεκτές διαστάσεις των μαγειρικών σκευών [για κάθε μεμονωμένη εστία ξεχωριστά] ανατρέξτε στην εικονογράφηση του παρόντος εγχειριδίου -βλ. διάμετρο.

2.2 Εξοικονόμηση ενέργειας

Για καλύτερα αποτελέσματα:

- Χρησιμοποιείτε σκεύη με διάμετρο βάσης ίση με εκείνη των εστιών.
- Χρησιμοποιείτε μόνο σκεύη με επίπεδη βάση.
- Εάν είναι δυνατόν, σκεπάστε τα σκεύη με το καπάκι κατά το μαγείρεμα.
- Μαγειρέψτε λαχανικά, πατάτες κτλ. με λίγο νερό προκειμένου να μειώσετε τον χρόνο μαγειρέματος.
- Η χρήση χύτρας ταχύτητας μειώνει ακόμη περισσότερο την κατανάλωση ενέργειας και τον χρόνο μαγειρέματος.
- Τοποθετείτε τις κατσαρόλες στο κέντρο της εστίας η οποία οριοθετείται μέσω ειδικής γραμμής.

Χρήση του απορροφητήρα Το σύστημα εξαερισμού [καπνού - υδρατμών] διαθέτει δύο λειτουργίες: εξαέρωση εξωτερικής εκκένωσης ή φιλτράρισμα μέσω εσωτερικής ανακυκλοφορίας.



Έκδοση εξαερισμού

Εικ.7

Οι ατμοί εκκενώνονται προς τα έξω μέσα από μία σειρά σωληνώσεων (τις οποίες θα χρειαστεί να αγοράσετε από μόνοι σας). Οι εν λόγω σωληνώσεις στερεώνονται σε φλάντζα σύνδεσης που παρέχεται από κοινού με το προϊόν. Η διάμετρος του σωλήνα εκκένωσης θα πρέπει να είναι ίδια με τη διάμετρο του δακτυλίου σύνδεσης:

- στην περίπτωση εξόδου τετράγωνης [διατομής] 222 x 89 mm
- στην περίπτωση εξόδου στρογγυλής [διατομής] 150 mm

- Για περισσότερες πληροφορίες βλέπε σελίδα εξαρτημάτων έκδοσης εξαερισμού, στο εικονογραφημένο τμήμα του παρόντος εγχειριδίου.Εικ.7b

Εικ.7c

Συνδέστε το προϊόν σε σωλήνες και επιτοιχίες οπές εκκένωσης με διάμετρο ίση με εκείνη της [γραμμής] εξόδου αέρα (φλάντζα σύνδεσης).

Η χρήση σωλήνων και επιτοιχιών οπών εκκένωσης μικρότερης διαμέτρου μπορεί να προκαλέσει μία μείωση των αποδόσεων εξαερισμού καθώς και μία δραστική αύξηση των επιπέδων θορύβου.

Στην παραπάνω περίπτωση αποποιούμαστε οποιαδήποτε ευθύνη.

! Χρησιμοποιείτε έναν αγωγό με το μικρότερο δυνατό μήκος.

! Χρησιμοποιείτε αγωγούς με το μικρότερο δυνατό αριθμό γωνιών (max 90° εκάστη)

! Αποφύγετε δραστικές αλλαγές στην τομή του αγωγού.



Έκδοση φιλτράρισματος

Εικ.8

Ο αέρας εξαερισμού φιλτράρεται μέσα από ειδικά φίλτρα [κατακράτησης] λιπαρών ουσιών και [δυσάρεστων] οσμών πριν επαναπροωθηθεί στον χώρο.

Το προϊόν συνοδεύεται με όλα τα απαραίτητα για μία βασική εγκατάσταση και μία έξοδο διαφύγισης αέρα από το εμπρόσθιο τμήμα της βάσης του επίπλου.

Στη συσκευασία συμπεριλαμβάνονται 4 κεραμικά φίλτρα ενεργού άνθρακα υψηλής απόδοσης. Τα εν λόγω φίλτρα ενεργού άνθρακα είναι νέας τεχνολογίας και αναγεννώνται

από μόνα τους (συμβουλευτείτε την ενότητα Συντήρηση —

Φίλτρα ενεργού άνθρακα του παρόντος εγχειριδίου [χρήσης]).

Οι χημικές και φυσικές τους ιδιότητες επιτρέπουν μία υψηλή απόδοση εξαερισμού των [δυσάρεστων] οσμών καθώς και μία υψηλή μηχανική αντοχή.

- Για περισσότερες πληροφορίες ανατρέξτε στη σελίδα εξαρτημάτων της έκδοσης εξαερισμού (στο εικονογραφημένο τμήμα του παρόντος εγχειριδίου).

Εικ. 13b

Συμβουλευτείτε τις ιστοσελίδες www.elica.com και www.shop.elica.com για να ελέγξετε την πλήρη γκάμα των διαθέσιμων σετ [εγκατάστασης] που προορίζονται για την υλοποίηση των εργασιών εγκατάστασης σε επίπεδο φίλτρων ή συστήματος εξαερισμού.

3. Εγκατάσταση

Τόσο η ηλεκτρική όσο και η μηχανολογική εγκατάσταση θα πρέπει να διενεργείται από εξειδικευμένο προσωπικό.

Η ηλεκτροσκευή προορίζεται για χωνευτή τοποθέτηση σε επιφάνεια εργασίας πάχους 2-6 cm, σε περίπτωση εγκατάστασης TOP. 2,5-6 cm σε περίπτωση εγκατάστασης FLUSH.

Η ελάχιστη απόσταση μεταξύ της επιφάνειας μαγειρέματος και του τοίχου πρέπει να είναι τουλάχιστον 5 εκ. στο μπροστινό τμήμα, τουλάχιστον 4 εκ. στα πλάγια και τουλάχιστον 50 εκ. σε σχέση με τα πάνω ντουλάπια.

ΣΗΜ = Οι συνιστώμενες αποστάσεις είναι ενδεικτικές: κατά το σχεδιασμό των χώρων πρέπει να τηρούνται οι υποδείξεις του κατασκευαστή της κουζίνας.



3.1 Ηλεκτρική συνδεση

Εικ. 3

- Αποσυνδέστε τη συσκευή από το ηλεκτρικό δίκτυο
- Η εγκατάσταση θα πρέπει να γίνεται από εξειδικευμένο προσωπικό που γνωρίζει τους ισχύοντες κανονισμούς εγκατάστασης και ασφάλειας.
- Ο κατασκευαστής δεν φέρει καμία ευθύνη για τυχόν τραυματισμούς σε ανθρώπους ή ζώα ή για υλικές ζημιές σε περίπτωση μη τήρησης των οδηγιών του παρόντος κεφαλαίου.
- Το καλώδιο τροφοδοσίας θα πρέπει να διαθέτει επαρκές μήκος, ούτως ώστε να είναι δυνατή η αφαίρεση της εστίας από την επιφάνεια εργασίας.
- Βεβαιωθείτε ότι η τάση που αποτυπώνεται στην πινακίδα τεχνικών στοιχείων στο πίσω μέρος της συσκευής είναι ίδια με εκείνη του ηλεκτρικού δικτύου του χώρου εγκατάστασης.
- Μην χρησιμοποιείτε καλώδια επέκτασης.
- Η γείωση της συσκευής είναι υποχρεωτική από τον νόμο.
- Το καλώδιο γείωσης πρέπει να είναι 2cm. πιο μακριά από τα υπόλοιπα καλώδια.
- Στην περίπτωση που η οικιακή ηλεκτρική συσκευή δεν διαθέτει καλώδιο τροφοδοσίας, θα πρέπει να χρησιμοποιήσετε ένα καλώδιο ελαχίστων διατομής 2.5 mm² για ισχύ έως 7200 Watt. Για μεγαλύτερη ισχύ χρησιμοποιείτε ένα καλώδιο 4 mm².
- Το καλώδιο δεν θα πρέπει να αναπτύσσει διαφορά θερμοκρασίας 50°C σε σχέση με εκείνη του περιβάλλοντος.
- Η συσκευή προορίζεται για μόνιμη σύνδεση στο ηλ. δίκτυο, γι' αυτό πραγματοποιήστε τη σύνδεση σε σταθερό δίκτυο μέσω ενός εύκολα προσβάσιμου και ιδανικού πολυπολικού διακόπτη, ο οποίος μπορεί να αποσυνδέει τη συσκευή στις περιπτώσεις που προσδιορίζονται στα σχετικά έγγραφα [βλέπε κατηγορία υπέρτασης III].

Προσοχή! Πριν επανασυνδέσετε το κύκλωμα στην παροχή ηλ. ρεύματος και ελέγξετε τη σωστή λειτουργία [της συσκευής], θα πρέπει να εξακριβώσετε ότι το καλώδιο ρεύματος είναι σωστά συνδεδεμένο.

Προσοχή! Το καλώδιο τροφοδοσίας θα πρέπει να αντικαθίσταται μόνο από εξουσιοδοτημένους τεχνικούς ή από εξειδικευμένο τεχνικό.

Σημείωση : το προϊόν διαθέτει μία [ειδική] λειτουργία, την επονομαζόμενη Power Limitor [Περιορισμός ισχύος] η οποία επιτρέπει να ρυθμίσετε τη μέγιστη τιμή κατανάλωσης kw

Η ρύθμιση θα πρέπει να διενεργείται κατά τη σύνδεση του προϊόντος στο δίκτυο ηλ. ρεύματος ή με την επανασύνδεση του

ηλ. δικτύου (εντός των επόμενων 2 λεπτών).

Σχετικά με τα βήματα ρύθμισης του συστήματος Power Limitation [Περιορισμός ισχύος] συμβουλευτείτε την ενότητα Λειτουργίας του παρόντος εγχειριδίου [χρήσης].

3.2 Εγκατάσταση

Πριν ξεκινήσετε την εγκατάσταση:

- Με το που βγάλετε το προϊόν από τη συσκευασία του, βεβαιωθείτε ότι αυτό δεν έχει υποστεί ζημιές κατά τη διαδικασία μεταφοράς. Στην περίπτωση που εντοπίσετε κάποιο πρόβλημα, επικοινωνήστε με τον αντιπρόσωπο ή με το πλησιέστερο κέντρο Σέρβις, πριν ξεκινήσετε την εγκατάσταση.
- Βεβαιωθείτε ότι το προϊόν έχει τις κατάλληλες διαστάσεις για το προεπιλεγμένο σημείο εγκατάστασης.
- Ελέγξτε μήπως υπάρχει κάποιο άλλο συνοδευτικό αντικείμενο εντός της συσκευασίας του προϊόντος (π.χ. σακουλάκια με καρφιά, εγγύηση, κτλ.). Στην περίπτωση που εντοπίσετε κάτι τέτοιο, το αφαιρείτε κι εν συνεχεία το αποθηκεύετε σε ασφαλές σημείο.
- Βεβαιωθείτε τέλος ότι πλησίον του σημείου εγκατάστασης υπάρχει διαθέσιμη κάποια πρίζα.

Προετοιμασία του σημείου εγκατάστασης της συσκευής:

- Το προϊόν δεν μπορεί να εγκατασταθεί επάνω σε συσκευές ψύξης, πλυντήρια πιάτων, σόμπες, φούρνους, πλυντήρια και στεγνωτήρια.
 - Ολοκληρώστε όλες τις εργασίες κοπής στο σημείο εγκατάστασης της εστίας μαγειρέματος κι εν συνεχεία αφαιρέστε τυχόν ροκανίδια από το πλαίσιο εναπόθεσης.
- ΣΗΜΑΝΤΙΚΟ:** Χρησιμοποιήστε κόλλα ενός συστατικού (**S**), ανθεκτική σε θερμοκρασίες έως και 250°.
- Εάν χρειαστεί αφαιρέστε σιδήριπτε μπορεί να δημιουργήσει πρόβλημα στη συγκόλληση, (όπως π.χ. ουσίες αποκόλλησης, συντηρητικά, λίπη, σκόνες, υπολείμματα από παλιές κόλλες, κ.τλ.). Η κόλλα θα πρέπει να απλωθεί ομοιόμορφα σε όλη την περίμετρο του πλαισίου.
- Μετά την ολοκλήρωση της διαδικασίας συγκόλλησης αφήστε την κόλλα να στεγνώσει, τελείως, για 24ώρες.

Εικ. 1b

ΠΡΟΣΟΧΗ! Εάν η εγκατάσταση των βιδών και των στηριγμάτων στρώσεως δεν πραγματοποιηθεί με βάση τις οδηγίες [χρήσεως], μπορεί να προκληθούν κίνδυνοι ηλεκτρικής φύσεως.

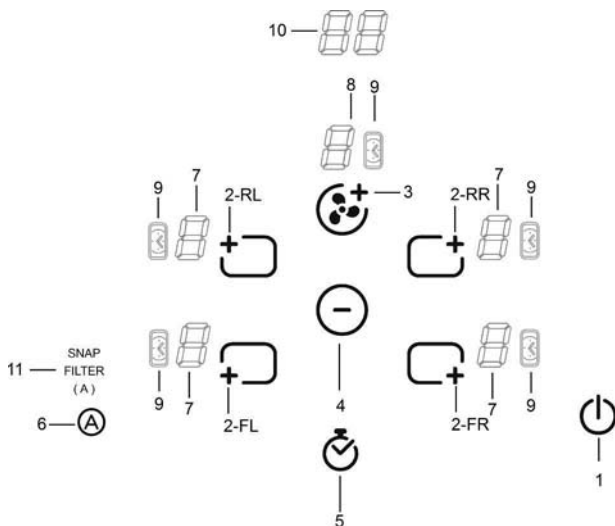
Σημείωση: για μία σωστή εγκατάσταση του προϊόντος σας προτείνουμε να καλύψετε τις σωληνώσεις με αυτοκόλλητο που διαθέτει τα εξής χαρακτηριστικά:

- ελαστική μεμβράνη από μαλακό PVC, με ακρυλική συγκολλητική ουσία
- που είναι εναρμονισμένο με τον κανονισμό DIN EN 60454
- που διαθέτει επιβραδυντική δράση [στην περίπτωση πυρκαγιάς]
- που είναι εξαιρετικά ανθεκτικό στη φθορά και
- ανθεκτικό στις αυξομειώσεις θερμοκρασίας και τέλος
- που μπορεί να χρησιμοποιηθεί σε χαμηλές θερμοκρασίες

4. Λειτουργία

Πίνακας ελέγχου

Σημείωση: Ο χειρισμός της συσκευής πραγματοποιείται με ένα απλό άγγιγμα των πλήκτρων της πιέζοντάς τα δηλαδή απαλά)



Πλήκτρα

1. **ON/OFF** της εστίας μαγειρέματος και του απορροφητήρα
2. Επιλογή εστίας
Αύξηση Power Level [Στάθμης Ισχύος]
3. Αύξηση ταχύτητας (ισχύς) εξαερισμού
4. Μείωση Power Level [Στάθμης Ισχύος]
Μείωση ταχύτητας (ισχύος) εξαερισμού
Μείωση χρόνου Timer [Χρονοδιακόπτη]
5. Ενεργοποίηση Χρονοδιακόπτη [Timer]
Αύξηση χρόνου Χρονοδιακόπτη [Timer]
6. Ενεργοποίηση αυτόματων λειτουργιών
Επαναφορά [δείκτη] κορεσμού φίλτρων

Οθόνη / LED

7. Εμφάνιση Power Level [Στάθμης Ισχύος]
8. Εμφάνιση ταχύτητας (ισχύος) εξαερισμού
9. Δείκτης ενεργού χρονοδιακόπτη [timer]
10. Δείκτης χρόνου Χρονοδιακόπτη [Timer]
11. Δείκτης λειτουργίας αυτόματου εξαερισμού
Δείκτης σέρβις φίλτρων
Δείκτης λειτουργίας με [σύστημα] SNAP


ΧΡΗΣΗ ΤΗΣ ΕΣΤΙΑΣ ΜΑΓΕΙΡΕΜΑΤΟΣ

Πριν την πρώτη χρήση [της συσκευής] θα πρέπει να γνωρίζετε ότι:

Όλες οι λειτουργίες της παρούσας μονάδας επαγωγικών εστιών έχουν ρυθμιστεί σύμφωνα με τους πιο αυστηρούς κανονισμούς ασφαλείας.


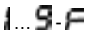
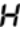




Έτσι λοιπόν:

- **Ορισμένες λειτουργίες δεν ενεργοποιούνται ή απενεργοποιούνται αυτόματα στην περίπτωση που δεν υπάρχει κάποιο σκεύος τοποθετημένο επάνω στην εστία ή στην περίπτωση που αυτό δεν έχει τοποθετηθεί σωστά,**
- Σε άλλες περιπτώσεις οι ενεργές λειτουργίες απενεργοποιούνται αυτομάτως [μετά από μερικά δευτερόλεπτα] όταν η λειτουργία που έχετε επιλέξει απαιτεί κάποια άλλη ρύθμιση την οποία δεν έχετε ολοκληρώσει (όπως π.χ.: “Ενεργοποίηση επιφάνειας εστιών μαγειρέματος” χωρίς “Επιλογή εστίας μαγειρέματος” και “Θερμοκρασία λειτουργίας”, ή “Λειτουργία Lock [Κλειδώματος]” ή “Timer [Χρονοδιακόπτη]”).

 **Προσοχή!** Στην περίπτωση [π.χ.] παρατεταμένης χρήσης, το κρύωμα των εστιών μπορεί να διαρκέσει αρκετά. Όταν είναι ενεργοποιημένη η ένδειξη “H” σημαίνει ότι οι εστίες δεν έχουν κρυώσει ακόμη. Περιμένετε έως ότου απενεργοποιηθεί το εν λόγω σύμβολο στην οθόνη πριν ακουμπήσετε τις εστίες.

Οθόνη εστιών

οι ενδείξεις στις εστίες μαγειρέματος, υποδεικνύονται ως εξής:

Εστία μαγειρέματος ενεργοποιημένη	
Power Level [Στάθμη Ισχύος]	
Residual Heat Indicator [Δείκτης Θερμής Επιφάνειας]	
Pot Detector [Σύστημα εντοπισμού Σκευών]	
Λειτουργία Bridge [Γέφυρα] ενεργοποιημένη	
Λειτουργία Temperature Manager [Διαχείρισης Θερμότητας] ενεργοποιημένη	
Λειτουργία Child Lock [Κλειδώματος ανηλίκων] ενεργοποιημένη	

Χαρακτηριστικά της εστίας [μαγειρέματος]

● Safe Activation [Ασφαλής Ενεργοποίηση]

Το προϊόν ενεργοποιείται μόνον με την παρουσία σκευών επάνω στις εστίες [μαγειρέματος]. Η διαδικασία θέρμανσης [των εστιών] δεν ξεκινάει εάν δεν τοποθετήσετε προηγουμένως κάποιο σκεύος επάνω στις εστίες.

● Pot Detector [Σύστημα εντοπισμού Σκευών]

Το προϊόν ανιχνεύει αυτόματως την παρουσία σκευών στις εστίες [μαγειρέματος].

● Safety Shut Down [Απενεργοποίηση Ασφαλείας]

Για λόγους ασφαλείας οι εστίες παραμένουν αναμμένες για ένα συγκεκριμένο χρονικό διάστημα το οποίο εξαρτάται από το επίπεδο ισχύος που έχετε επιλέξει.

● Residual Heat Indicator [Δείκτης Θερμής Επιφάνειας]

Με την απενεργοποίηση μιας ή περισσότερων εστιών η παρουσία θερμότητας στις εν λόγω επιφάνειες υποδεικνύεται στην οθόνη της εστίας, μέσω του συμβόλου “H”.

Λειτουργία

Σημείωση: Για να ενεργοποιήσετε οποιαδήποτε λειτουργία θα πρέπει να ανάψετε πρώτα μία τουλάχιστον εστία


● Ενεργοποίηση

Πιέστε (ελαφρά) το  ON/OFF της εστίας μαγειρέματος/ απορροφητήρα

Η λυχνία θα ανάψει υποδεικνύοντας ότι η εστία μαγειρέματος/απορροφητήρα είναι έτοιμη προς χρήση Πατήστε ξανά για απενεργοποίηση


Σημείωση: Αυτή η λειτουργία είναι σημαντική για όλες τις υπόλοιπες [λειτουργίες].


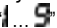
● Ενδείξεις εστιών [μαγειρέματος]

Πιέστε (απαλά) το πλήκτρο επιλογής , της εστίας [μαγειρέματος] που επιθυμείτε.


● 9. Power Level [Στάθμη Ισχύος]


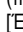
Η επιφάνεια διαθέτει 9 επίπεδα ισχύος

πατήστε (απαλά) το πλήκτρο επιλογής , για να αυξήσετε τα επίπεδα ισχύος,


πατήστε (απαλά) το πλήκτρο επιλογής , για να μειώσετε τα επίπεδα ισχύος, το επίπεδο ισχύος υποδεικνύεται στην οθόνη της εστίας που έχετε επιλέξει : 


● **Power Booster [Εξτρά ισχύς]**

Το προϊόν διαθέτει ένα επιπλέον επίπεδο ισχύος (πέραν του επιπέδου ), το οποίο παραμένει ενεργό για 5 λεπτά. Μετά το πέρασ του εν λόγω χρονικού διαστήματος η ισχύς θα επιστρέψει στο αμέσως προηγούμενο επίπεδο.

Πιέστε (απαλά) το +, για να αυξήσετε τα την ισχύ (πέραν του επιπέδου ) ενεργοποιώντας το Power Booster [Εξτρά ισχύ]

εκ νέου σε τρόπο λειτουργίας "Power Booster" για τα λεπτά που απομένουν.

Το επίπεδο Power Booster [Εξτρά ισχύς] υποδεικνύεται στην οθόνη της εστίας που έχετε επιλέξει μέσω του συμβόλου 

ΠΡΟΣΟΧΗ: η εστία μαγειρέματος  (ΕΙΚ.19), δεν διαθέτει χρονοδιακόπτη [timer] για το Power Booster.

για να απενεργοποιήσετε το Power Booster πιέστε 

● **Bridge Zones [Ζώνες Γέφυρας]**

Οι εστίες μαγειρέματος -χάρη στη λειτουργία Bridge [Γέφυρα]- είναι σε θέση να λειτουργήσουν συνδυαστικά δημιουργώντας έτσι μία εστία με κοινή ένταση ισχύος. Η λειτουργία αυτή επιτρέπει ένα ομοιογενές μαγείρεμα τασιών και μαγειρικών σκευών μεγάλων διαστάσεων.

Μπορείτε να χρησιμοποιήσετε συνδυαστικά την εμπρόσθια εστία μαγειρέματος "Master" [Κύρια] με την "Δευτερεύουσα"



(για να εντοπίσετε τις εστίες για τις οποίες προβλέπεται αυτή η λειτουργία, ανατρέξτε στην εικονογραφημένη ενότητα του παρόντος εγχειριδίου).

Για να ενεργοποιήσετε την λειτουργία Bridge [Γέφυρα]:

• **Επιλέξτε την εστία μαγειρέματος "Master" [Κύρια].**

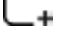


(η οποία θα πρέπει να βρίσκεται σε επίπεδο ισχύος 0)


- **κρατήστε πατημένο το + έως ότου εκπέμψει ηχητικό σήμα, το οποίο θα συνοδεύεται με την αναλαμπή του συμβόλου **

στην οθόνη (7) της "Δευτερεύουσας" εστίας μαγειρέματος

- **επιλέξτε την "Δευτερεύουσα" εστία μαγειρέματος** εντός 3ων δευτερολέπτων

- **ρυθμίστε το Επίπεδο (Ισχύος) λειτουργίας + της**



[κύριας] εστίας μαγειρέματος "Master", το οποίο θα εμφανιστεί στην ανάλογη οθόνη (7)

Σημείωση: για την απενεργοποίηση της λειτουργίας Γέφυρας [Bridge] θα πρέπει να ρυθμίσετε την εστία σε θερμοκρασία 

● **Διαχειριστής Θερμότητας [Temperature Manager]**

Το Temperature Manager [διαχείριση θερμότητας] είναι μία λειτουργία που επιτρέπει τη διατήρηση της θερμότητας σε μία συγκεκριμένη τιμή -με την ισχύ να κινείται σε ένα εύρος τιμών από 0 έως 1. Πρόκειται για μία [ιδανική] λειτουργία για τη διατήρηση της θερμοκρασίας του φαγητού.

Η λειτουργία Temperature Manager [διαχείριση θερμότητας]

ενεργοποιείται με το πρώτο πάτημα του πλήκτρου + Στην οθόνη της εστίας η οποία βρίσκεται σε [τρόπο λειτουργίας] Temperature Manager [διαχείρισης θερμότητας] θα εμφανιστεί το σύμβολο 

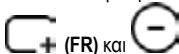
● **Child Lock [Κλειδωμα ανηλίκων]**


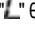
Με το Child Lock [κλειδωμα ανηλίκων] η ενεργοποίηση των εστιών μαγειρέματος ή του συστήματος εξερισμού από πλευράς παιδιών είναι αδύνατη κι αυτό διότι το εν λόγω σύστημα μπλοκάρει την ενεργοποίηση οποιασδήποτε λειτουργίας [της συσκευής].

Το Child Lock μπορεί να ενεργοποιηθεί μόνον στην περίπτωση που η συσκευή είναι ενεργοποιημένη αλλά με τις εστίες (και τον απορροφητήρα) απενεργοποιημένες.

Ενεργοποίηση:

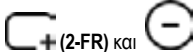
- απομακρύνετε τυχόν σκεύη που βρίσκονται επάνω στις εστίες.
- πιέστε και κρατήστε ταυτόχρονα πατημένα [τα πλήκτρα]


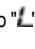


- εν συνέχεια πατήστε ξανά τον επιλογέα + (2-FR); ένα ακουστικό σήμα θα υποδείξει ότι το **Child Lock** [κλειδωμα ανηλίκων] είναι ενεργοποιημένο, κι έτσι το  "L" θα εμφανιστεί στην οθόνη (7).

Απενεργοποίηση:

- πιέστε και κρατήστε ταυτόχρονα πατημένα [τα πλήκτρα]



- εν συνέχεια πατήστε ξανά τον επιλογέα ; ένα ακουστικό σήμα θα υποδείξει ότι το **Child Lock** [κλειδωμα ανηλίκων] είναι απενεργοποιημένο, κι έτσι το  "L" θα εξαφανιστεί από την οθόνη (7).

Προσωρινή απενεργοποίηση: μπορείτε επίσης να χρησιμοποιήσετε μία μόνον εστία μαγειρέματος με την επιλογή **Child Lock [κλειδωμα ανηλίκων]** ενεργοποιημένη.

Ενεργήστε ως εξής:

- πιέστε και κρατήστε ταυτόχρονα πατημένα [τα πλήκτρα]



Τώρα μπορείτε να χρησιμοποιήσετε [φυσιολογικά] τις εστίες μαγειρέματος, το **Child Lock [κλειδωμα ανηλίκων]** θα ενεργοποιηθεί εκ νέου με την απενεργοποίηση των εστιών μαγειρέματος.


● **Timer [Χρονοδιακόπτης]**

Ο χρονοδιακόπτης [timer] είναι ένα σύστημα [αντίστροφης μέτρησης] που μπορείτε να χρησιμοποιήσετε σε κάθε εστία μαγειρέματος ξεχωριστά (ή ακόμη και στη μονάδα του απορροφητήρα).


Μετά την ολοκλήρωση της αντίστροφης μέτρησης [που εσείς επιλέξατε] η εστία μαγειρέματος (ή η μονάδα του απορροφητήρα) θα απενεργοποιηθεί και ο χρήστης θα ενημερωθεί σχετικά μέσω ηχητικού σήματος.


Ο χρονοδιακόπτης [Timer] ενεργοποιείται πατώντας το


σύμβολο 


μόλις ο χρονοδιακόπτης [timer] ολοκληρώσει την αντίστροφη μέτρηση θα εκπέμψει ηχητικό σήμα (διάρκειας 2 λεπτών, το οποίο μπορείτε να απενεργοποιήσετε πατώντας ένα οποιοδήποτε πλήκτρο της εστίας), ενώ η οθόνη (10) θα αρχίσει να αναβοσβήνει εμφανίζοντας παράλληλα το σύμβολο .

Ρύθμιση της λειτουργίας του Χρονοδιακόπτη [Timer] για την εστία μαγειρέματος

• Επιλογή εστίας μαγειρέματος 

- Πιέστε  για να εισέλθετε στη λειτουργία ρύθμισης.
- Ρυθμίστε τη διάρκεια του χρονοδιακόπτη [timer]:


Πιέστε τον επιλογέα  για να αυξήσετε τον χρόνο αυτόματης απενεργοποίησης [της εστίας]

Πιέστε τον επιλογέα  για να μειώσετε τον χρόνο αυτόματης απενεργοποίησης [της εστίας]


Αν θέλετε, μπορείτε να επαναλάβετε τη διαδικασία για τις υπόλοιπες εστίες [μαγειρέματος].

Σημείωση: Η κάθε εστία μαγειρέματος μπορεί να διαθέτει έναν ατομικό χρονοδιακόπτη [timer]. Στην προκειμένη περίπτωση στην οθόνη (10) θα εμφανιστεί -για 10 δευτερόλεπτα- η αντίστροφη μέτρηση της τελευταίας εστίας που επιλέξατε κι εν συνεχεία η αντίστροφη μέτρηση με τον μικρότερο υπολειπόμενο χρόνο.

Για την απενεργοποίηση του χρονοδιακόπτη [timer]:


- Τοποθετήστε την τιμή του χρονοδιακόπτη [timer] στο 

, μέσω του 

- Απενεργοποιήστε την εστία μαγειρέματος, μέσω του 

Σημείωση: Εάν στο μεσοδιάστημα δεν πατήσετε κάποιο άλλο πλήκτρο, η λειτουργία θα παραμείνει ενεργοποιημένη.

Σημείωση: Πλευρικά της εστίας [με τον χρονοδιακόπτη σε

λειτουργία] μπορείτε να διακρίνετε το σύμβολο 

● **Ανεξάρτητος Χρονοδιακόπτης [Egg Timer]**

Ο [Egg Timer] είναι ένας ανεξάρτητος χρονοδιακόπτης [σε σχέση με τις εστίες μαγειρέματος και την μονάδα του απορροφητήρα] αντίστροφης μέτρησης. Μετά την ολοκλήρωση της [χρονικής] περιόδου που επιλέχθηκε από πλευράς χρήστη θα εκπέμψει ένα ηχητικό σήμα

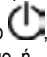
Ο ανεξάρτητος χρονοδιακόπτης [Egg Timer] ενεργοποιείται πατώντας το .

Σημείωση : για τη ρύθμιση της λειτουργίας του ανεξάρτητου χρονοδιακόπτη [Egg Timer] ακολουθήστε την ίδια ακριβώς διαδικασία που ακολουθήσατε για τον **συμβατικό χρονοδιακόπτη [Timer]**.


● **Περιορισμός ισχύος [Power Limitation]**



Η λειτουργία περιορισμού ισχύος [Power Limitation] σας επιτρέπει να ρυθμίσετε τη λειτουργία της συσκευής περιορίζοντας τη μέγιστη κατανάλωση.


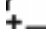
Σημείωση : Η ρύθμιση θα πρέπει να πραγματοποιηθεί με την

εστία απενεργοποιημένη **χωρίς** να πιέσετε το πλήκτρο  τη στιγμή που συνδέεται την εστία στο ηλεκτρικό δίκτυο, ή κατά την επανασύνδεση του ίδιου του ηλ. δίκτυο, εντός των επόμενων 2 λεπτών.

Για να ρυθμίσετε το σύστημα περιορισμού ισχύος [Power Limitation]:

- πιέστε το 

- ενώ κρατάτε πατημένο το  πιέστε κι αφήστε το  - θα ακουστεί ένα σύντομο ηχητικό σήμα

- κρατώντας πατημένο το  πιέστε κι έπειτα αφήστε εκ νέου το  (2-FL)

- σε αυτό το σημείο μπορείτε να αφήσετε και το πλήκτρο

.

Στην οθόνη (7) της **περιοχής FL [ΕΠ]** θα εμφανιστούν εναλλάξ τα σύμβολα “C” και “0”, κάτι που σημαίνει ότι μπορείτε να πραγματοποιήσετε τη ρύθμιση

Στην οθόνη (7) της **περιοχής RL [ΟΠ]** θα εμφανιστεί η τρέχουσα ρύθμιση**


0 = 7,4 KW


1 = 3,1 KW

2 = 4,5 KW

** η εργοστασιακή ρύθμιση είναι 7,4 KW

- για να τροποποιήσετε τις ρυθμίσεις του συστήματος

Περιορισμού Ισχύος [Power Limitation] πιέστε  (2-FL)

- για την αποθήκευση της επιλογής πιέστε , για 2 δευτερόλεπτα κι εν συνεχεία θα ακουστεί ένα εκπέμψει ηχητικό σήμα το οποίο επιβεβαιώνει την ολοκλήρωση της εν λόγω ρύθμισης.

- πιέστε , για να εξέλθετε από τη λειτουργία

ΧΡΗΣΗ ΤΟΥ ΑΠΟΡΡΟΦΗΤΗΡΑ

● Ενεργοποίηση

Πιέστε (ελαφρά) το πλήκτρο  **ON/OFF της εστίας μαγειρέματος/ απορροφητήρα**

Η λυχνία ανάβει υποδεικνύοντας ότι η επιφάνεια μαγειρέματος/απορροφητήρα είναι έτοιμη προς χρήση

Πιέστε εκ νέου για απενεργοποίηση


Σημείωση: Αυτή η λειτουργία αποτελεί προαπαιτούμενο για όλες τις υπόλοιπες [λειτουργίες].

● Ενεργοποίηση του απορροφητήρα:

Πιέστε (ελαφρά) το πλήκτρο  για την ενεργοποίηση του απορροφητήρα


● Ταχύτητα (ισχύς) απορροφητήρα

πιέστε (ελαφρά) το πλήκτρο , για να αυξήσετε την ταχύτητα (ισχύ) του απορροφητήρα (0-10),


πιέστε (ελαφρά) το πλήκτρο , για να μειώσετε την ταχύτητα (ισχύ) του απορροφητήρα (10-0).

● Χρονοδιακόπτης [Timer]

Ο χρονοδιακόπτης [Timer] ενεργοποιείται πατώντας το

σύμβολο 


στην οθόνη (10) θα εμφανιστεί η αντίστροφη μέτρηση,

στην οθόνη (8) θα εμφανιστεί το σύμβολο 

Ρύθμιση χρονοδιακόπτη [timer] απορροφητήρα

Μπορείτε να παρέμβετε τροποποιώντας τους προκαθορισμένους χρόνους απενεργοποίησης. Η εν λόγω διαδικασία πραγματοποιείται με τον χρονοδιακόπτη [timer] ενεργοποιημένο.

• Πατήστε το  για να αυξήσετε τον χρόνο αυτόματης απενεργοποίησης

• Πατήστε το  για να μειώσετε τον χρόνο αυτόματης απενεργοποίησης

● Δείκτης κορεσμού φίλτρων

Το σύστημα εξαερισμού υποδεικνύει τότε πρέπει να πραγματοποιήσετε τις εργασίες συντήρησης των φίλτρων:

Φίλτρο ελαίων


το LED “**FILTER**”(11) ενεργοποιείται

Φίλτρο δυσάρεστων οσμών ενεργού άνθρακα

το LED “**FILTER**”(11) αναβοσβήνει

● Επαναφορά [δείκτη] κορεσμού φίλτρων



Μετά την συντήρηση των φίλτρων (λαδιού ή/και ενεργού

άνθρακα) πατήστε παρατεταμένα το πλήκτρο  το LED «**FILTER**» σβήνει ξεκινώντας τη μέτρηση του δείκτη.

● Ενεργοποίηση δείκτη κορεσμού φίλτρου [δυσάρεστων] οσμών ενεργού άνθρακα

Αυτός ο δείκτης συνήθως είναι απενεργοποιημένος.

Για να τον ενεργοποιήσετε εκ νέου ακολουθήστε την παρακάτω διαδικασία:

- ανάψτε την επιφάνεια αναρρόφησης μέσω 
- με το μοτέρ αναρρόφησης και περιοχές ψησίματος σβηστές, πατήστε και κρατήστε πατημένο 

- «**FILTER**» ανάβει κι εν συνεχεία σβήνει υποδεικνύοντας ότι η ενεργοποίηση έχει πραγματοποιηθεί.

● Απενεργοποίηση δείκτη κορεσμού φίλτρου [δυσάρεστων] οσμών ενεργού άνθρακα

επαναλάβετε την εργασία που αναφέρεται στην ενεργοποίηση


“**FILTER**” αναβοσβήνει και στη συνέχεια σβήνει υποδεικνύοντας ότι η απενεργοποίηση έχει πραγματοποιηθεί.

● Αυτόματη λειτουργία του συστήματος εξαερισμού με SNAP®

Για τη σύνδεση φουγάρου [σύστημα εξαερισμού] και SNAP® ανατρέξτε στο εγχειρίδιο που παρέχεται από κοινού με το SNAP® ή επισκεφτείτε την ιστοσελίδα www.elica.com.

Σημείωση: Το SNAP® είναι μία μονάδα βοηθητικού εξαερισμού που μπορεί να λειτουργήσει από κοινού με την καπνοδόχο.

Για να ενεργοποιήσετε την εν λόγω λειτουργία:

Πιέστε σύντομα το , το LED “(A)” και το LED SNAP (11) θα ενεργοποιηθούν υποδεικνύοντας ότι το φουγάρο [σύστημα εξαερισμού] λειτουργεί σε αυτόν τον τρόπο λειτουργίας.

Ο απορροφητήρας έχει τη δυνατότητα να χρησιμοποιηθεί σε συνδυασμό με ένα ΣΕΤ [KIT] αισθητήρα Window (δεν παρέχεται από τον κατασκευαστή)

Εγκαθιστώντας το ΣΕΤ [KIT] Windows ([βλ. περίπτωση που η εστία χρησιμοποιείται σε τρόπο λειτουργίας ΕΞΑΕΡΙΣΜΟΥ](#)), ο εξαερισμός θα σταματάει να λειτουργεί κάθε φορά που το παράθυρο του δωματίου -όπου χρησιμοποιείται το ΣΕΤ [KIT]- είναι κλειστό.

Σας προτείνουμε την αγορά του ΣΕΤ KIT FDS — 100 Elektrotechnik Schabus, διαθέσιμο σε εξουσιοδοτημένα κέντρα Elektrotechnik Schabus ή απευθείας μέσω της διαδικτυακής ιστοσελίδας www.elektrotechnik-schabus.de

- Η ηλεκτρική σύνδεση του ΣΕΤ [KIT] του απορροφητήρα θα πρέπει να πραγματοποιείται από πιστοποιημένους και εξειδικευμένους τεχνικούς.
- Ο κατασκευαστής του απορροφητήρα αποποιείται οποιαδήποτε ευθύνη για τυχόν προβλήματα, ζημιές, πυρκαγιές που οφείλονται σε ελαττώματα και/ή προβλημάτων δυσλειτουργίας και/ή λανθασμένης εγκατάστασης του ΣΕΤ [KIT].

4.1 Πίνακας ρυθμίσεων ισχύος

Επίπεδο ισχύος		Τρόπος μαγειρέματος	Χρήση επιπέδου ισχύος (βάσει της εμπειρίας και του τρόπου μαγειρέματος)
Μεγ. ισχύς	Boost	Γρήγορο ζέσταμα	Ιδανική ρύθμιση για γρήγορο ζέσταμα φαγητών και βράσιμο νερού ή για γρήγορο ζέσταμα ζωμών σε σύντομο χρονικό διάστημα
	8-9	Τηγάνισμα - βράσιμο	Ιδανική ρύθμιση για ρόδισμα, έναρξη του μαγειρέματος, τηγάνισμα κατεψυγμένων προϊόντων και γρήγορο βράσιμο
Υψηλή ισχύς	7-8	Ρόδισμα - τηγάνισμα - βράσιμο - ψήσιμο	Ιδανική ρύθμιση για τηγάνισμα, διατήρηση έντονου βρασμού, μαγείρεμα και ψήσιμο (για σύντομο διάστημα, 5-10 λεπτών)
	6-7	Ρόδισμα - μαγείρεμα - σιγοβράσιμο - τηγάνισμα - ψήσιμο	Ιδανική ρύθμιση για τηγάνισμα, διατήρηση χαμηλού βρασμού, μαγείρεμα και ψήσιμο (για μέτριο διάστημα 10-20 λεπτών), ζέσταμα σκευών
Μέτρια ισχύς	4-5	Μαγείρεμα - σιγοβράσιμο - τηγάνισμα - ψήσιμο	Ιδανική ρύθμιση για σιγοβράσιμο, διατήρηση πολύ χαμηλού βρασμού, μαγείρεμα και ψήσιμο (για μεγάλο διάστημα), ανακάτεμα ζυμαρικών
	3-4	Μαγείρεμα - αργό βράσιμο - πήξιμο - ανακάτεμα	Ιδανική ρύθμιση για μαγείρεμα μεγάλης διάρκειας (ρούζι, σάλτσες, ψητά, ψάρια) με υγρά (π.χ. νερό, κρασί, ζωμός, γάλα), ανακάτεμα ζυμαρικών
	2-3	Μαγείρεμα - αργό βράσιμο - πήξιμο - ανακάτεμα	Ιδανική ρύθμιση για μαγείρεμα μεγάλης διάρκειας (με όγκο μικρότερο του λίτρου: ρούζι, σάλτσες, ψητά, ψάρια) με υγρά (π.χ. νερό, κρασί, ζωμός, γάλα)
Χαμηλή ισχύς	1-2	Λιώσιμο - ξεπάγωμα - διατήρηση θερμοκρασίας φαγητών - ανακάτεμα	Ιδανική ρύθμιση για λιώσιμο βουτύρου και σοκολάτας, ξεπάγωμα προϊόντων μικρού μεγέθους
	1	Λιώσιμο - ξεπάγωμα - διατήρηση θερμοκρασίας φαγητών - ανακάτεμα	Ιδανική ρύθμιση για διατήρηση της θερμοκρασίας των φαγητών που μόλις μαγειρέψατε, ζέσταμα σκευών σερβιρίσματος και ανακάτεμα ριζότο
ΑΠΕΝΕΡΓΟΠΟΙΗΣΗ	Μηδενική ισχύς	Επιφάνεια στήριξης	Η μονάδα εστιών βρίσκεται σε κατάσταση αναμονής ή είναι απενεργοποιημένη (μπορεί να υπάρχει υπολειπόμενη θερμότητα στο τέλος του μαγειρέματος που υποδεικνύεται από την ένδειξη H-L-O)

4.2 Πίνακας μαγειρέματος

Κατηγορίες τροφίμων	Πιάτα ή τρόποι μαγειρέματος	Επίπεδο ισχύος και πρόοδος του μαγειρέματος			
		Πρώτο στάδιο	Ισχύς	Δεύτερο στάδιο	Ισχύς
Ζυμαρικά, ρύζι	Φρέσκα ζυμαρικά	Ζέσταμα νερού	Booster-9	Μαγείρεμα των ζυμαρικών και διατήρηση βρασμού	7-8
	Φρέσκα ζυμαρικά	Ζέσταμα νερού	Booster-9	Μαγείρεμα των ζυμαρικών και διατήρηση βρασμού	7-8
	Βραστό ρύζι	Ζέσταμα νερού	Booster-9	Μαγείρεμα των ζυμαρικών και διατήρηση βρασμού	5-6
	Ριζότο	Τσιγάρισμα και καβούρδισμα	7-8	Μαγείρεμα	4-5
Λαχανικά, όσπρια	Βραστά	Ζέσταμα νερού	Booster-9	Βράσιμο	6-7
	Τηγανιτά	Ζέσταμα λαδιού	9	Τηγάνισμα	8-9
	Σοταρισμένα	Ζέσταμα του σκεύους	7-8	Μαγείρεμα	6-7
	Στιφάδο/ κατσαρόλας	Ζέσταμα του σκεύους	7-8	Μαγείρεμα	3-4
	Τσιγαρισμένα	Ζέσταμα του σκεύους	7-8	Ρόδισμα	7-8
Κρέας	Ψητό	Ρόδισμα με λάδι (με βούτυρο στο επίπεδο ισχύος 6)	7-8	Μαγείρεμα	3-4
	Σε μαντεμένιες πλάκες	Προθέρμανση του σκεύους	7-8	Ψήσιμο και από τις δύο πλευρές	7-8
	Ρόδισμα	Ρόδισμα με λάδι (με βούτυρο στο επίπεδο ισχύος 6)	7-8	Μαγείρεμα	4-5
	Μαγειρευτό /στιφάδο	Ρόδισμα με λάδι (με βούτυρο στο επίπεδο ισχύος 6)	7-8	Μαγείρεμα	3-4
Ψάρι	Σε μαντεμένιες πλάκες	Προθέρμανση του σκεύους	7-8	Μαγείρεμα	7-8
	Μαγειρευτό/ Στιφάδο	Ρόδισμα με λάδι (με βούτυρο στο επίπεδο ισχύος 6)	7-8	Μαγείρεμα	3-4
	Τηγανιτό	Ζέσταμα λαδιού ή λιπαρής ουσίας	8-9	Τηγάνισμα	7-8
Αβγά	Τηγανιτά	Ζέσταμα του τηγανιού με βούτυρο ή άλλη λιπαρή ουσία	6	Μαγείρεμα	6-7
	Ομελέτα	Ζέσταμα του τηγανιού με βούτυρο ή άλλη λιπαρή ουσία	6	Μαγείρεμα	5-6
	Μελάτα/σφιχτά	Ζέσταμα νερού	Booster-9	Μαγείρεμα	5-6
	Τηγανίτες	Ζέσταμα του τηγανιού με βούτυρο	6	Μαγείρεμα	6-7
Σάλτσες	Ντομάτας	Ρόδισμα με λάδι (με βούτυρο στο επίπεδο ισχύος 6)	6-7	Μαγείρεμα	3-4
	Ραγού	Ρόδισμα με λάδι (με βούτυρο στο επίπεδο ισχύος 6)	6-7	Μαγείρεμα	3-4
	Μπεςαμέλ	Προετοιμασία (λιώστε το βούτυρο και το αλεύρι)	5-6	Φέρτε σε ήπιο βρασμό	3-4
Γλυκά, κρέμες	Κρέμα ζαχαροπλαστικής	Φέρτε το γάλα σε βρασμό	4-5	Διατηρήστε σε ήπιο βρασμό	4-5
	Πουτίγκα	Φέρτε το γάλα σε βρασμό	4-5	Διατηρήστε σε ήπιο βρασμό	2-3
	Ρυζόγαλο	Ζεστώνετε το γάλα	5-6	Διατηρήστε σε ήπιο βρασμό	2-3

5. Συντήρηση

Συντήρηση της εστίας μαγειρέματος

Προσοχή! Πριν ξεκινήσετε οποιαδήποτε διαδικασία καθαρισμού ή συντήρησης, βεβαιωθείτε ότι οι εστίες είναι σβηστές και ότι η ένδειξη παρουσίας θερμότητας έχει σβήσει.

5.1 Καθαρισμός

Σας συμβουλευόμαστε να καθαρίζετε την εστία μαγειρέματος μετά από κάθε χρήση.

Σημαντικό:

Μην χρησιμοποιείτε σφουγγάρια με σκληρή επιφάνεια ή σύρματα. Η παρατεταμένη χρήση μπορεί να καταστρέψει την υαλοκεραμική επιφάνεια.

Μην χρησιμοποιείτε χημικά καθαριστικά που προκαλούν ερεθισμούς, όπως σπρέι φούρνου ή καθαριστικά αφαιρέσης λεκέδων.

Αφήστε την εστία να κρυώσει [μετά από κάθε χρήση] κι εν συνεχεία καθαρίστε την, αφαιρώντας υπολείμματα τροφής ή άλλους λεκέδες.

Η ζάχαρη και γενικότερα τα τρόφιμα με υψηλή περιεκτικότητα σακχάρων θα πρέπει να καθαρίζονται άμεσα διότι μπορεί να καταστρέφουν την εστία μαγειρέματος.

Το αλάτι, η ζάχαρη και η άμμος μπορεί να χαράξουν τη γυάλινη επιφάνεια [της συσκευής].

Για τον καθαρισμό της επιφάνειας των εστιών, χρησιμοποιείτε μαλακό πανί, χαρτί κουζίνας ή άλλα ειδικά καθαριστικά (παρακαλώ ακολουθήστε τις οδηγίες του Κατασκευαστή).

ΜΗΝ ΧΡΗΣΙΜΟΠΟΙΕΙΤΕ ΣΥΣΚΕΥΕΣ ΑΤΜΟΚΑΘΑΡΙΣΜΟΥ!!!

Σημαντικό:

Στην περίπτωση τυχαίας διαρροής υγρών έξω από το σκεύος [σε μεγάλες ποσότητες] μπορείτε να παρέμβετε μέσω της ειδικής βαλβίδας εκκένωσης η οποία βρίσκεται στο κάτω μέρος του προϊόντος, ούτως ώστε να απομακρύνετε κάθε υπόλειμμα [υγρού] πραγματοποιώντας έτσι μία καθαριότητα που σέβεται πλήρως τους [προβλεπόμενους] κανόνες υγιεινής.

Εικ.16

Για μία πλήρη και εις βάθος καθαριότητα καλό θα ήταν να αφαιρείτε την κάτω λεκάνη

Εικ.18a - 18b

Συντήρηση απορροφητήρα

Καθαρισμός

Για τον καθαρισμό [του απορροφητήρα] χρησιμοποιείτε **ΑΠΟΚΛΕΙΣΤΙΚΑ** και μόνον ένα βρεγμένο πανί με υγρό [ουδέτερο] σαπούνι. **ΜΗΝ ΧΡΗΣΙΜΟΠΟΙΕΙΤΕ ΕΡΓΑΛΕΙΑ Ή ΑΛΛΟΥ ΕΙΔΟΥΣ ΑΝΤΙΚΕΙΜΕΝΑ ΓΙΑ ΤΟΝ ΚΑΘΑΡΙΣΜΟ [ΤΗΣ ΣΥΣΚΕΥΗΣ]!**

Αποφύγετε τη χρήση προϊόντων που περιέχουν λειαντικές [ουσίες]

ΜΗΝ ΧΡΗΣΙΜΟΠΟΙΕΙΤΕ ΟΙΝΟΠΝΕΥΜΑ!

Φίλτρο κατά των λιπαρών ουσιών

Εικ. 15

Κατακρατάει τα σωματίδια λίπους που προέρχονται από το μαγείρεμα.

Το [φίλτρο] θα πρέπει να καθαρίζεται μία φορά τον μήνα (ή κάθε φορά που ο δείκτης κορεσμού των φίλτρων υποδεικνύει κάτι τέτοιο), με ήπια απορροπαντικά, στο χέρι ή στο πλυντήριο πιάτων, σε χαμηλές θερμοκρασίες και στον σύντομο κύκλο πλύσης.

Το μεταλλικό φίλτρο [κατακράτησης λιπαρών ουσιών] στην περίπτωση που μπει στο πλυντήριο πιάτων μπορεί να

ξεβάσει. Παρ' όλα αυτά τα χαρακτηριστικά φιλτραρίσμάτος

του παραμένου αναλλοίωτα.

Φίλτρα ενεργού άνθρακα

(Μόνον για Έκδοση με Φίλτρο)

17 – 17a – 17b – 17c

Κατακρατάει τις δυσάρεστες οσμές που οφείλονται στο μαγείρεμα.

Κατακρατάει τις δυσάρεστες οσμές που οφείλονται στο μαγείρεμα.

Το προϊόν διαθέτει 4 ομάδες φίλτρων ενεργού άνθρακα που κατακρατούν τις [δυσάρεστες] οσμές.

Ο ενεργός άνθρακας βρίσκεται ενσωματωμένος σε μία κεραμική δομή η οποία καθιστά αδιαπέραστη την προσπέλαση ακαθαρσιών. Έτσι η εν λόγω δομή δημιουργεί μία ιδανική επιφάνεια απορρόφησης.

Ο κορεσμός των **κεραμικών φίλτρων ενεργού**

άνθρακα λαμβάνει χώρα μετά από μία μακρά χρονική

διάρκεια η οποία βέβαια εξαρτάται από τον τύπο της κουζίνας και το πόσο τακτικά πραγματοποιείται ο καθαρισμός των φίλτρων [κατακράτησης] λίπους.

Τα εν λόγω φίλτρα μπορούν να αναγεννηθούν θερμικά κάθε 2/3 μήνες τοποθετώντας τα σε έναν προθερμασμένο φούρνο στους 200°C για 45 λεπτά.

Η αναγέννηση επιπρέπει μία μέγιστη διάρκεια [ζωής] των φίλτρων 5 ετών.

5.2 Εντοπισμός βλαβών

ΚΩΔΙΚΟΣ ΣΦΑΛΜΑΤΟΣ	ΠΕΡΙΓΡΑΦΗ	ΠΙΘΑΝΕΣ ΑΙΤΙΕΣ	ΑΝΤΙΜΕΤΩΠΙΣΗ ΣΦΑΛΜΑΤΟΣ
E2	Ο πίνακας χειρισμού απενεργοποιείται λόγω υπερβολικά υψηλής θερμοκρασίας	Υπερβολικά υψηλή η εσωτερική θερμοκρασία των ηλεκτρονικών τμημάτων [της συσκευής]	Πριν επαναχρησιμοποιήσετε την εστία [μαγειρέματος], περιμένετε να κρυώσει
E3	Το σκεύος μαγειρέματος δεν είναι κατάλληλο	Απώλεια των μαγνητικών της ιδιοτήτων	Αφαιρέστε το σκεύος
E5	Προβλήματα επικοινωνίας μεταξύ διεπαφής και επαγωγικής ενότητας	Δεν φτάνει ηλεκτρικό ρεύμα στην ενότητα. Το καλώδιο τροφοδοσίας δεν έχει συνδεθεί σωστά ή είναι ελαττωματικό	Αποσυνδέστε την επιφάνεια [μαγειρέματος] από το ηλεκτρικό δίκτυο και ελέγξτε τη σύνδεση
Για όλες τις υπόλοιπες σημάνσεις σφάλματος (E ... U ... C ...)	Επικοινωνήστε με το κέντρο εξυπηρέτησης πελατών και κοινοποιήστε τον κωδικό σφάλματος		

5.3 Τεχνική Υποστήριξη

Πριν επικοινωνήσετε με την Τεχνική Υποστήριξη

1. Βεβαιωθείτε ότι δεν μπορείτε να λύσετε από μόνοι σας το πρόβλημα σύμφωνα με τις οδηγίες της ενότητας «Εντοπισμός βλαβών».

2. Απενεργοποιήστε και ενεργοποιήστε εκ νέου τη συσκευή για να βεβαιωθείτε ότι το πρόβλημα έχει λυθεί.

Στην περίπτωση που η βλάβη παραμένει -μετά τη διενέργεια των παραπάνω ελέγχων- επικοινωνήστε με το πλησιέστερο Τμήμα Τεχνικής Υποστήριξης.